



T&S BRASS AND BRONZE WORKS, INC.
 2 Saddleback Cove / P.O. Box 1088
 Travelers Rest, SC 29690

Model No.
B-7242-C01

Item No.

Travelers Rest, SC: 800-476-4103 • Simi Valley, CA: 800-423-0150 • Fax: 864-834-3518 • www.tsbrass.com

This Space for Architect/Engineer Approval

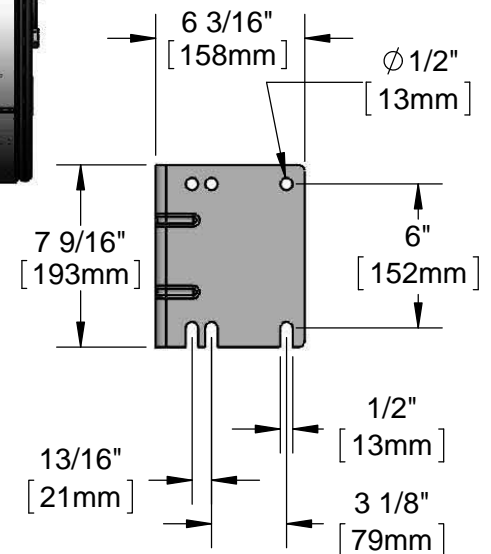
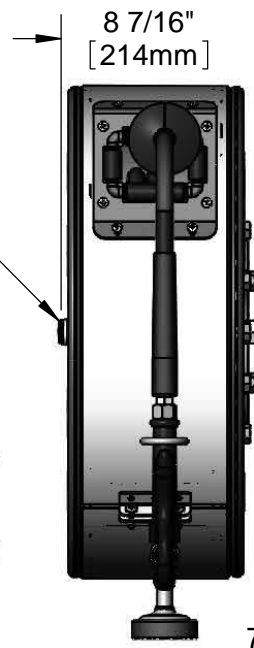
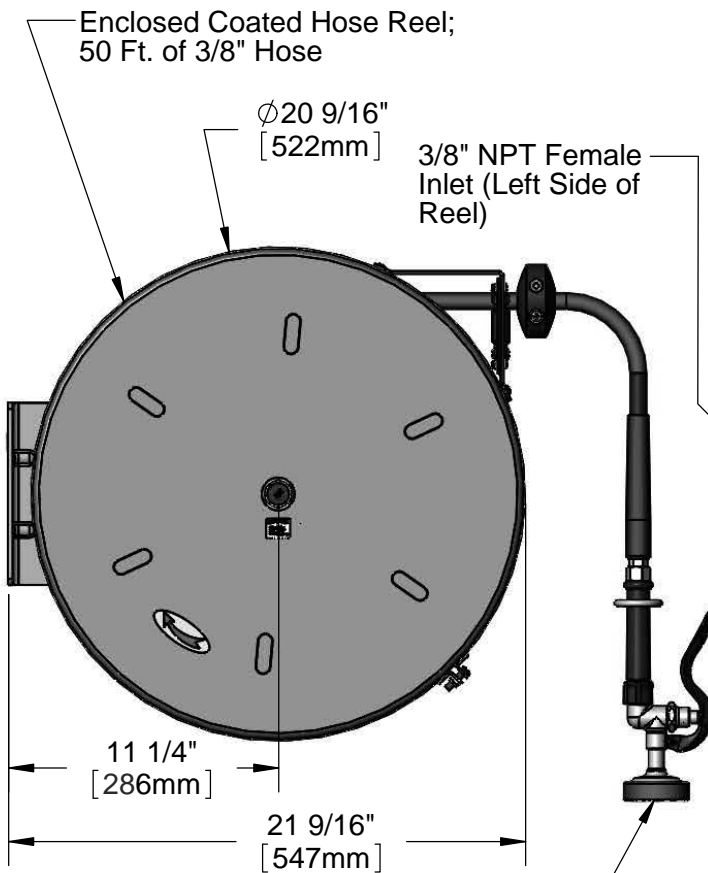
Job Name _____ Date _____

Model Specified _____ Quantity _____

Customer/Wholesaler _____

Contractor _____

Architect/Engineer _____



EB-0107
 High Flow
 Spray Valve

Product Specifications:
 Hose Reel System:
 3/8" x 50 Ft. Enclosed Coated Reel w/ High Flow Spray Valve

Product Compliance:
 NSF 61 Exempt (Non-Potable)
 EPA Act 2005 Non-Compliant (PRSV)



T&S BRASS AND BRONZE WORKS, INC.
 2 Saddleback Cove / P.O. Box 1088
 Travelers Rest, SC 29690

Model No.
B-7242-C01

Item No.

Travelers Rest, SC: 800-476-4103 • Simi Valley, CA: 800-423-0150 • Fax: 864-834-3518 • www.tsbrass.com

ITEM NO.	SALES NO.	DESCRIPTION
1	EB-0107	High Flow Spray Valve
2	012504-40	Blue Grip Handle
3	010476-45	#27 Washer
4	014942-45	3/8" x 50' Hose Replacement Kit
5	014949-45	Hose Stop Repair Kit
6	019561-45	3/8" x 50' Swivel Repair Kit
7	019473-45	3/8" x 50' O-Ring Replacement Kit
8	014934-45	Large Coated Spring Assembly
9	014937-45	Roller Replacement Kit
10	014940-45	Ratchet Repair Kit



Product Specifications:
 Hose Reel System:
 3/8" x 50 Ft. Enclosed Coated Reel w/ High Flow Spray Valve

Product Compliance:
 NSF 61 Exempt (Non-Potable)
 EPA Act 2005 Non-Compliant (PRSV)