



# T&S BRASS AND BRONZE WORKS, INC.

2 Saddleback Cove / P.O. Box 1088  
Travelers Rest, SC 29690

Model No.

**BA-0665-BSTR**

Item No.

Travelers Rest, SC: 800-476-4103 • Simi Valley, CA: 800-423-0150 • Fax: 864-834-3518 • www.tsbrass.com



**ADA Compliant**

This Space for Architect/Engineer Approval

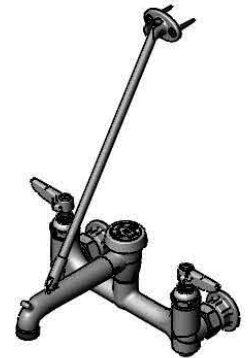
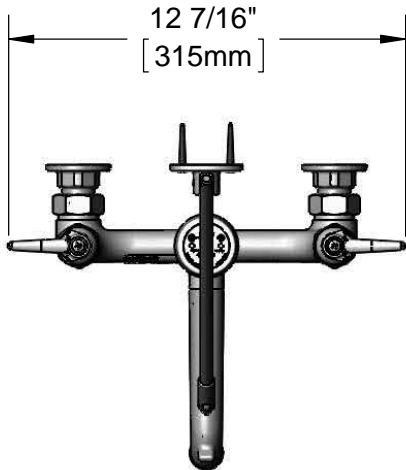
Job Name \_\_\_\_\_ Date \_\_\_\_\_

Model Specified \_\_\_\_\_ Quantity \_\_\_\_\_

Customer/Wholesaler \_\_\_\_\_

Contractor \_\_\_\_\_

Architect/Engineer \_\_\_\_\_



Support Rod w/  
Wall Bracket &  
Mounting Screws

Items Not Shown  
for Clarity

B-0969  
1/2" NPT Vacuum Breaker

Rough Chrome  
Finish on Faucet  
Body & Spout

Eterna Cartridges w/ Spring  
Checks & Lever Handles w/  
Color Coded Indexes

Garden Hose  
Male Outlet

Ø2" [51mm]  
Flanges w/  
1/2" NPT  
Female Inlets

Integral Service  
Stops

3 13/16"  
[97mm]

8"  
[203mm]  
Adjustable from  
7 3/4" to 8 1/4"  
[197mm to 210mm]

14 3/8"  
[366mm]

2 9/16"  
[64mm]

9"  
[229mm]

Mounting Surface

### Product Specifications:

8" Wall Mount Service Sink, Eterna Cartridges w/ Spring Checks, Lever Handles, Upper Support Rod, Garden Hose Male Outlet, Integral Service Stops, Rough Chrome Finish, 1/2" NPT Vacuum Breaker & 1/2" NPT Female Inlets

### Product Compliance:

ASME A112.18.1 / CSA B125.1  
NSF 61 Exempt (Non-Potable)  
ANSI A117.1 (ADA)  
ASSE 1001 (VB)

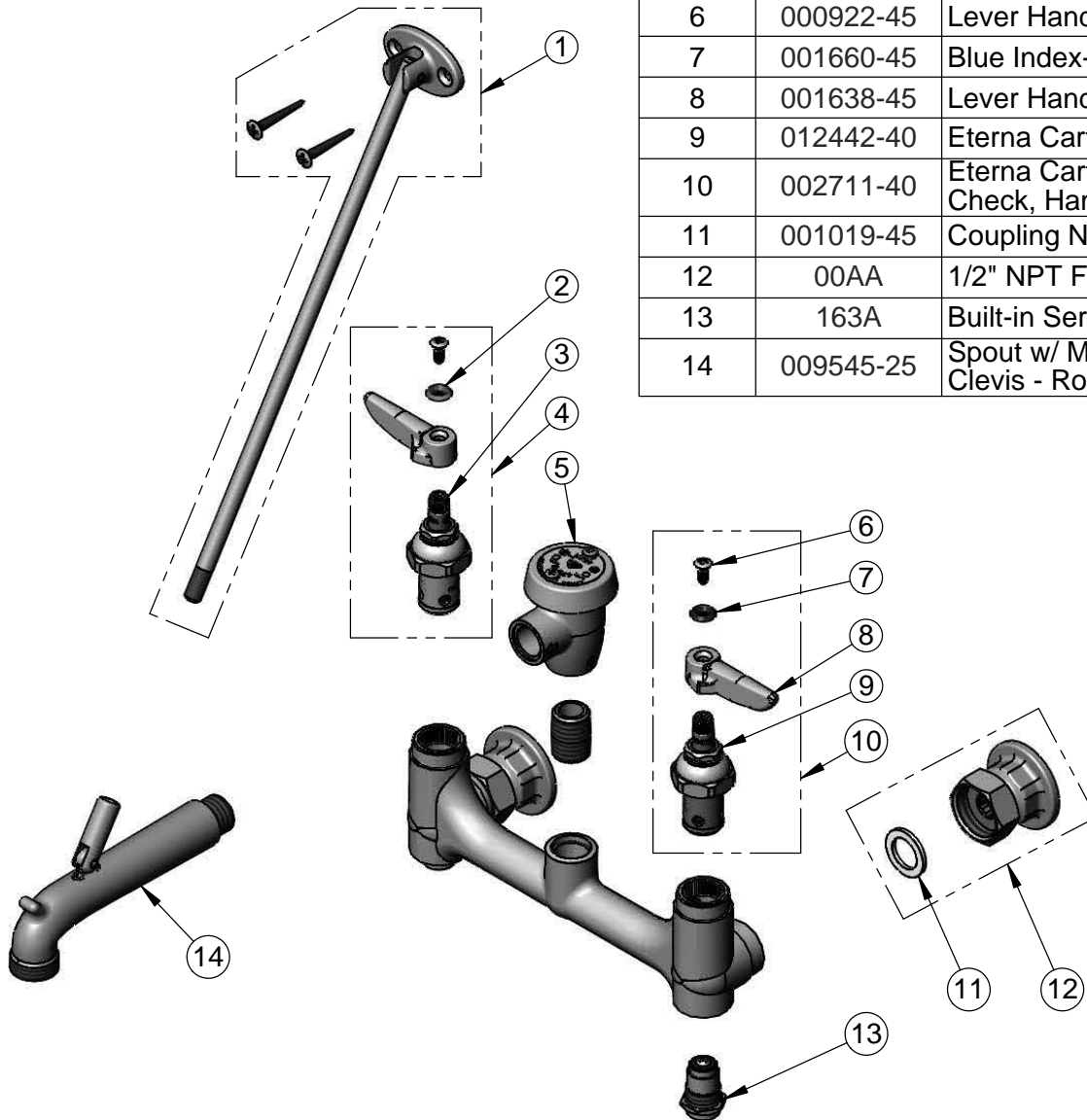


**T&S BRASS AND BRONZE WORKS, INC.**  
 2 Saddleback Cove / P.O. Box 1088  
 Travelers Rest, SC 29690

Model No.  
**BA-0665-BSTR**  
 Item No.

Travelers Rest, SC: 800-476-4103 • Simi Valley, CA: 800-423-0150 • Fax: 864-834-3518 • www.tsbrass.com

ITEM NO.	SALES NO.	DESCRIPTION
1	009546-40	Upper Support Rod
2	001661-45	Red Index-HW
3	012443-40	Eterna Cartridge, RTC w/ Spring Check
4	002712-40	Eterna Cartridge, RTC w/ Spring Check, Handle, Index & Screw
5	B-0969	1/2" NPT Vacuum Breaker
6	000922-45	Lever Handle Screw
7	001660-45	Blue Index-CW
8	001638-45	Lever Handle
9	012442-40	Eterna Cartridge, LTC w/ Spring Check
10	002711-40	Eterna Cartridge, LTC w/ Spring Check, Handle, Index & Screw
11	001019-45	Coupling Nut Washer
12	00AA	1/2" NPT Female Eccentric Flange
13	163A	Built-in Service Stop
14	009545-25	Spout w/ Male GH Outlet & Upper Clevis - Rough Chrome



**Product Specifications:**

8" Wall Mount Service Sink, Eterna Cartridges w/ Spring Checks, Lever Handles, Upper Support Rod, Garden Hose Male Outlet, Integral Service Stops, Rough Chrome Finish, 1/2" NPT Vacuum Breaker & 1/2" NPT Female Inlets

**Product Compliance:**

ASME A112.18.1 / CSA B125.1  
 NSF 61 Exempt (Non-Potable)  
 ANSI A117.1 (ADA)  
 ASSE 1001 (VB)