



T&S BRASS AND BRONZE WORKS, INC.

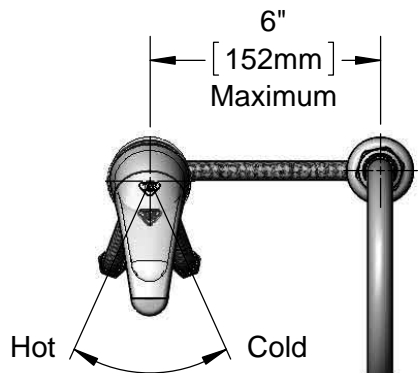
2 Saddleback Cove / P.O. Box 1088
Travelers Rest, SC 29690

Model No.

BA-2742

Item No.

Travelers Rest, SC: 800-476-4103 • Simi Valley, CA: 800-423-0150 • Fax: 864-834-3518 • www.tsbrass.com



ADA Compliant

This Space for Architect/Engineer Approval

Job Name _____ Date _____

Model Specified _____ Quantity _____

Customer/Wholesaler _____

Contractor _____

Architect/Engineer _____

6" Swivel Gooseneck w/
B-0199-06
VR 2.2 GPM Aerator

Temperature Index

Ceramic Cartridge w/
Temperature Limit Stop

Ø 2 1/8"
[54mm]
Base

Brass Lock Nut &
Threaded Locking Rod

(2) 16" Flexible Stainless Steel
Hoses w/ 3/8" Compression
Swivel Ends

Ø 1 11/16" [43mm] Base
w/ 1/2" NPSM Male Inlet

5 3/4"
[145mm]

10 5/8"
[270mm]

6 3/16"
[157mm]

5 3/16"
[131mm]
"ON"

3 15/16"
[99mm]
"OFF"

1"
[25mm]
Maximum
Thickness

Rough-in Requirements:

Swivel Deck Flange: Ø 1" [25mm] Mounting Hole

Sidemount: Ø 1 1/2" [38mm] Mounting Hole

Product Specifications:

Single Lever Side Mount Remote On/Off Control Base Faucet, Ceramic Cartridge, Swivel Gooseneck, Vandal Resistant 2.2 GPM Aerator & (2) 16" Flexible Stainless Steel Supply Hose

Product Compliance:

ASME A112.18.1 / CSA B125.1
NSF 61 - Section 9
NSF 372 (Low Lead Content)
ANSI A117.1 (ADA)



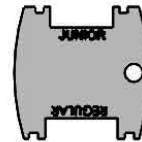
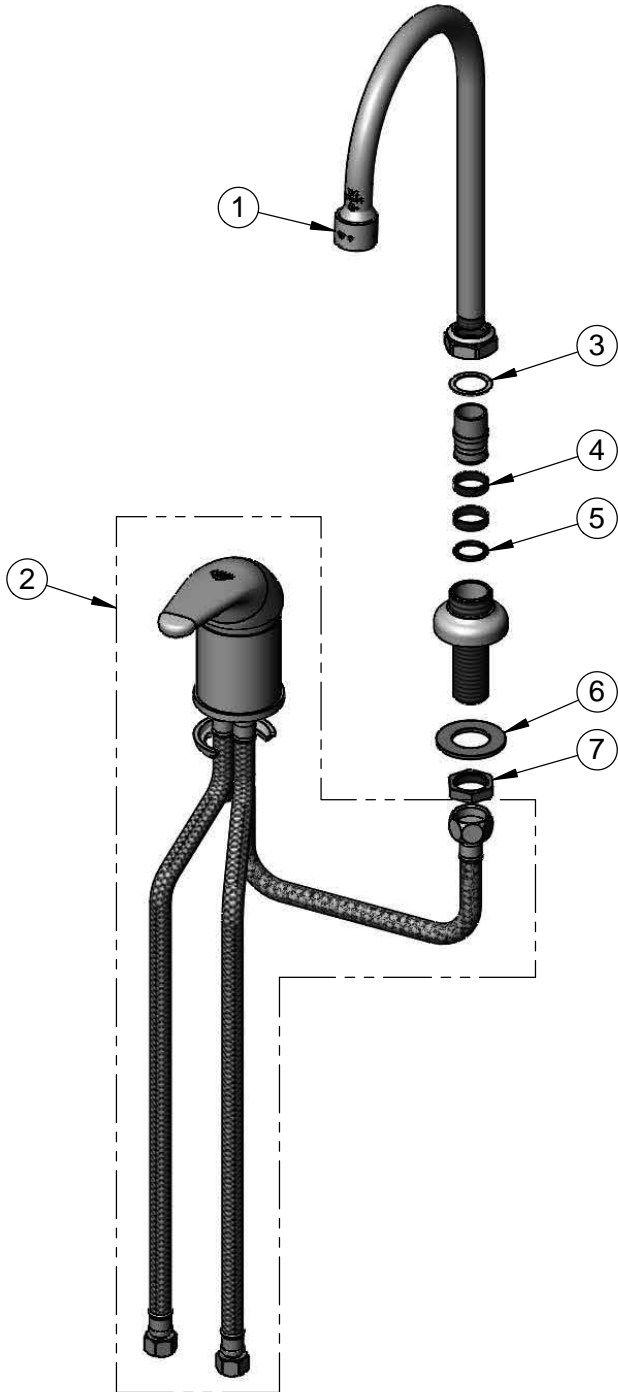
T&S BRASS AND BRONZE WORKS, INC.
 2 Saddleback Cove / P.O. Box 1088
 Travelers Rest, SC 29690

Model No.
BA-2742

Item No.

Travelers Rest, SC: 800-476-4103 • Simi Valley, CA: 800-423-0150 • Fax: 864-834-3518 • www.tsbrass.com

ITEM NO.	SALES NO.	DESCRIPTION
1	B-0199-06	VR 2.2 GPM Aerator w/ Key
2	B-2740	Side Mount Base Faucet
3	009538-45	Swivel Washer
4	011429-45	Swivel Sleeves (2)
5	001074-45	O-Ring
6	000999-45	Brass Lock Washer
7	002954-45	Shank Lock Nut



015425-45
 Vandal Resistant Key

Product Specifications:

Single Lever Side Mount Remote On/Off Control Base Faucet, Ceramic Cartridge, Swivel Gooseneck, Vandal Resistant 2.2 GPM Aerator & (2) 16" Flexible Stainless Steel Supply Hose

Product Compliance:

ASME A112.18.1 / CSA B125.1
 NSF 61 - Section 9
 NSF 372 (Low Lead Content)
 ANSI A117.1 (ADA)