



T&S BRASS AND BRONZE WORKS, INC.
 2 Saddleback Cove / P.O. Box 1088
 Travelers Rest, SC 29690

Model No.
BF-0176

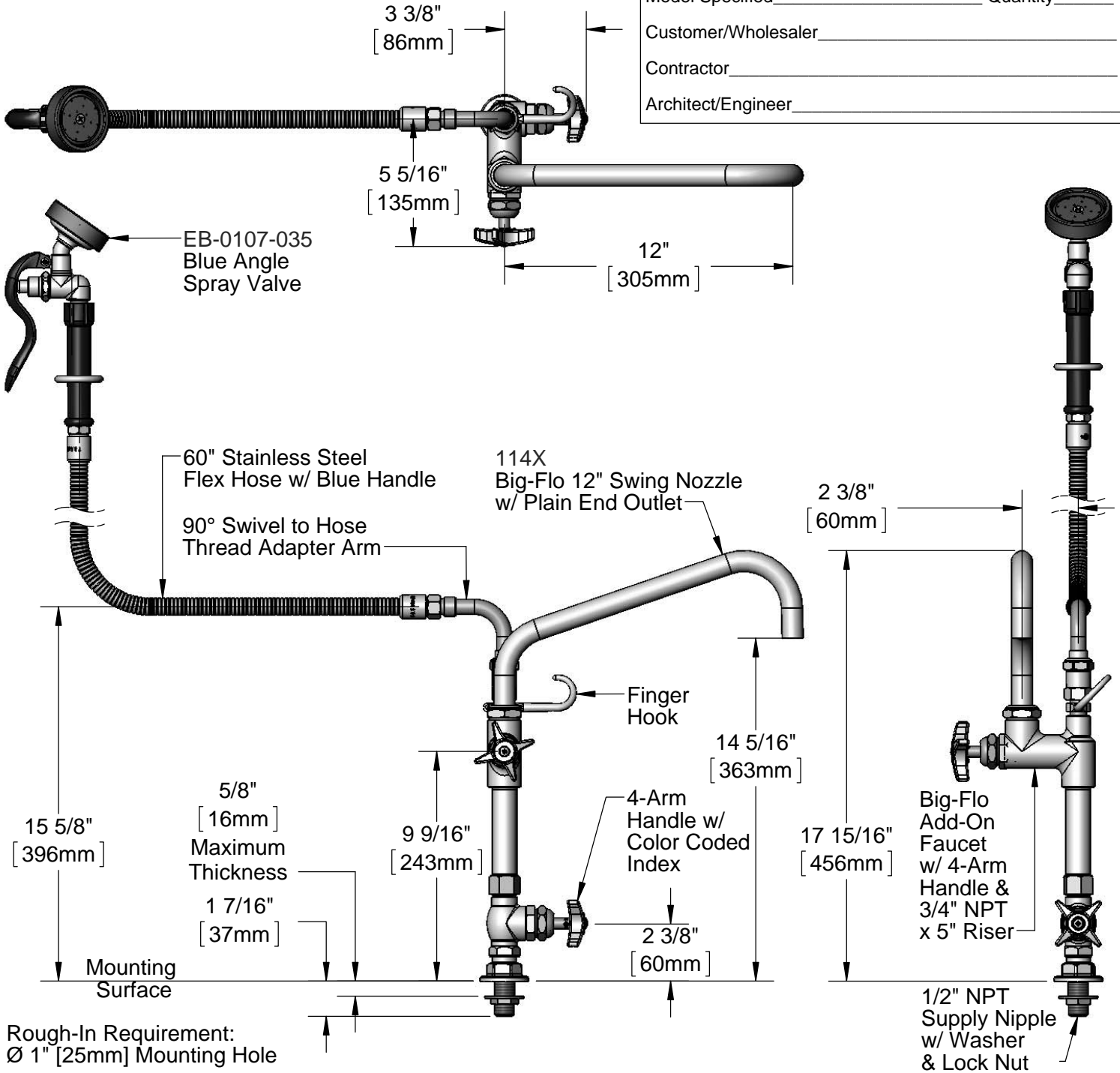
Item No.

Travelers Rest, SC: 800-476-4103 • Simi Valley, CA: 800-423-0150 • Fax: 864-834-3518 • www.tsbrass.com

EPAct2005 Non-Compliant

This Space for Architect/Engineer Approval

Job Name _____ Date _____
 Model Specified _____ Quantity _____
 Customer/Wholesaler _____
 Contractor _____
 Architect/Engineer _____



Product Specifications:
 Big-Flo Single Hole Deck Mount Faucet, Big-Flo Spindle RTC, Add-On Faucet w/ 12" Big-Flo Swing Nozzle, 90° Swivel Adapter, 60" Stainless Steel Flex Hose, Blue Angle Spray Valve & 1/2" NPT Male Supply Inlet

Drawn DHL	Checked DMH	Approved JHB
Scale: 1:6		Date: 11/15/12



T&S BRASS AND BRONZE WORKS, INC.

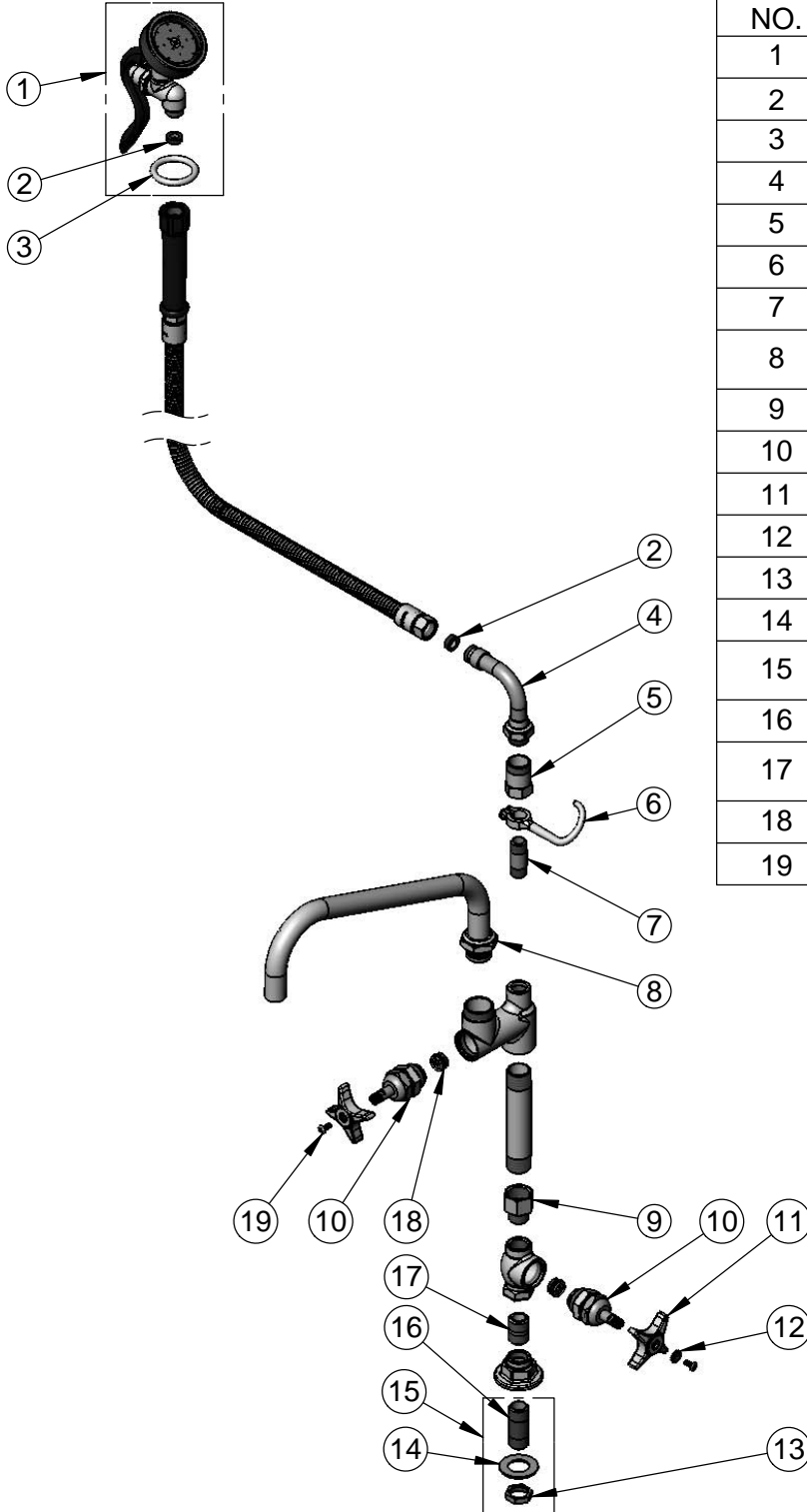
2 Saddleback Cove / P.O. Box 1088
Travelers Rest, SC 29690

Model No.

BF-0176

Item No.

Travelers Rest, SC: 800-476-4103 • Simi Valley, CA: 800-423-0150 • Fax: 864-834-3518 • www.tsbrass.com



ITEM NO.	SALES NO.	DESCRIPTION
1	EB-0107-035	Blue Angle Spray Valve
2	010476-45	#27 Washer
3	000907-45	Spray Valve Hold Down Ring
4	034A	Swivel Adapter Arm
5	054X	Swivel Body
6	004R	Finger Hook
7	000356-40	Nipple, 3/8" NPT x 1-3/4"
8	114X	Big-Flo 12" Swing Nozzle w/ Plain End Outlet
9	006112-25	Adapter, 3/4 FNPT x 1/2 MNPT
10	006482-40	Big-Flo Spindle, RTC
11	002521-45	4-Arm Handle
12	001660-45	Blue Index-CW
13	002954-45	Shank Lock Nut
14	000999-45	Brass Lock Washer
15	B-0425	1/2" NPT Supply Nipple w/ Washer & Lock Nut
16	000422-20	1/2" NPT Supply Nipple
17	002534-25	Close Nipple, 1/2" x 1 5/32" Lg Rough Chrome
18	000764-20	Seat, Big-Flo
19	000922-45	Lever Handle Screw

Product Specifications:

Big-Flo Single Hole Deck Mount Faucet, Big-Flo Spindle RTC, Add-On Faucet w/ 12" Big-Flo Swing Nozzle, 90° Swivel Adapter, 60" Stainless Steel Flex Hose, Blue Angle Spray Valve & 1/2" NPT Male Supply Inlet

Drawn

DHL

Checked

DMH

Approved

JHB

Scale:

NTS

Date:

11/15/12