



T&S BRASS AND BRONZE WORKS, INC.
 2 Saddleback Cove / P.O. Box 1088
 Travelers Rest, SC 29690

Model No.
BF-0299-18

Item No.

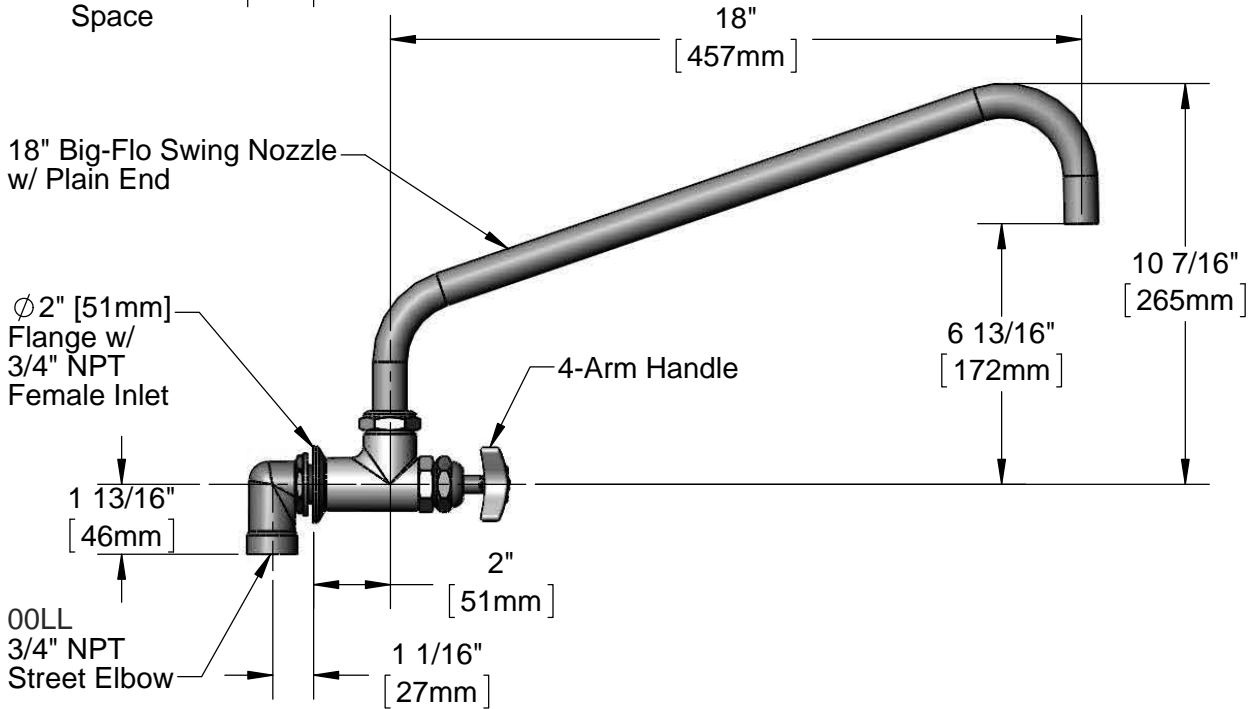
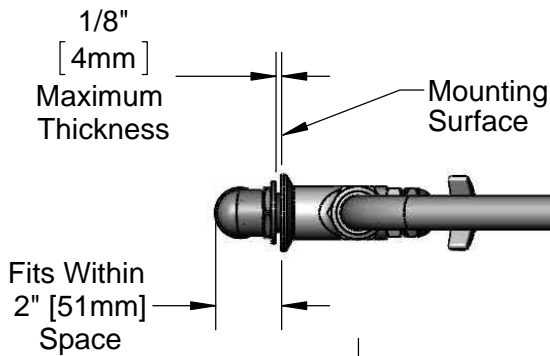
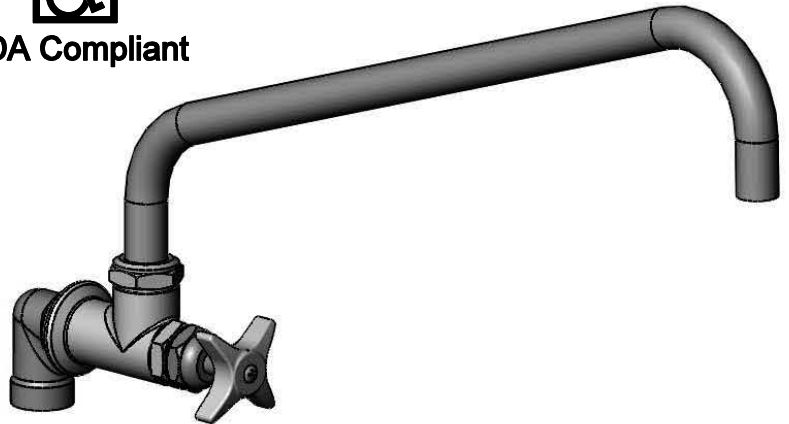
Travelers Rest, SC: 800-476-4103 • Simi Valley, CA: 800-423-0150 • Fax: 864-834-3518 • www.tsbrass.com

This Space for Architect/Engineer Approval

Job Name _____ Date _____
 Model Specified _____ Quantity _____
 Customer/Wholesaler _____
 Contractor _____
 Architect/Engineer _____



ADA Compliant



Rough-In Requirement:
 ϕ 1 1/4" [32mm] Hole

Product Specifications:
 Single Wall Mount Big-Flo Faucet w/ 18" Plain End Swing Nozzle,
 4-Arm Handle & 3/4" Street Elbow

Drawn DMH	Checked JRM	Approved JHB
Scale: 1:5		Date: 10/18/12



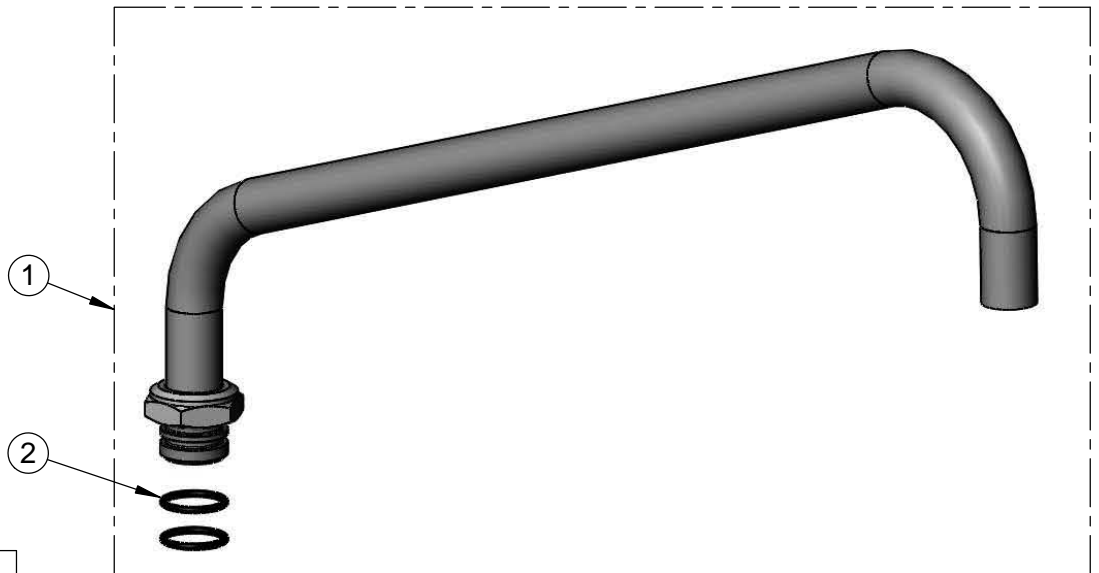
T&S BRASS AND BRONZE WORKS, INC.
 2 Saddleback Cove / P.O. Box 1088
 Travelers Rest, SC 29690

Model No.
BF-0299-18

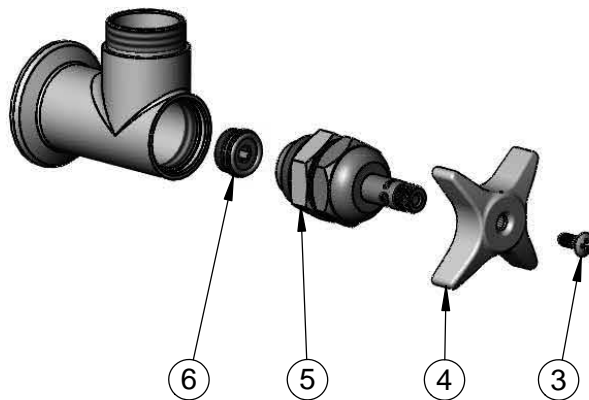
Item No.

Travelers Rest, SC: 800-476-4103 • Simi Valley, CA: 800-423-0150 • Fax: 864-834-3518 • www.tsbrass.com

ITEM NO.	SALES NO.	DESCRIPTION
1	115X	18" Big-Flo Swing Nozzle
2	001068-45	O-ring
3	000922-45	Lever Handle Screw
4	002521-45	4-Arm Handle
5	006482-40	Big-Flo Cartridge, RTC
6	000764-20	Seat, Big-Flo
7	00LL	3/4" Street Elbow Inlet



7



6

5

4

3

Product Specifications:
 Single Wall Mount Big-Flo Faucet w/ 18" Plain End Swing Nozzle,
 4-Arm Handle & 3/4" Street Elbow

Drawn DMH	Checked JRM	Approved JHB
Scale: NTS		Date: 10/18/12