



T&S BRASS AND BRONZE WORKS, INC.
 2 Saddleback Cove / P.O. Box 1088
 Travelers Rest, SC 29690

Model No.
BF-0299-LN

Item No.

Travelers Rest, SC: 800-476-4103 • Simi Valley, CA: 800-423-0150 • Fax: 864-834-3518 • www.tsbrass.com

This Space for Architect/Engineer Approval

Job Name _____ Date _____

Model Specified _____ Quantity _____

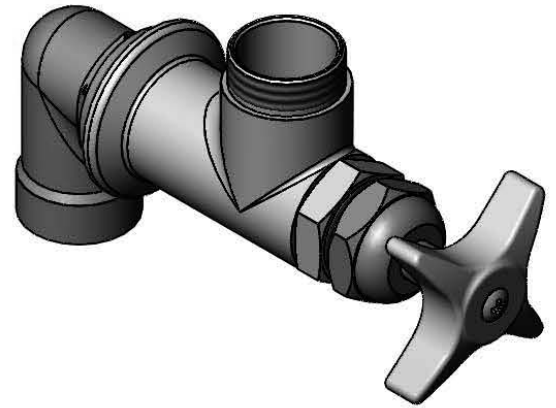
Customer/Wholesaler _____

Contractor _____

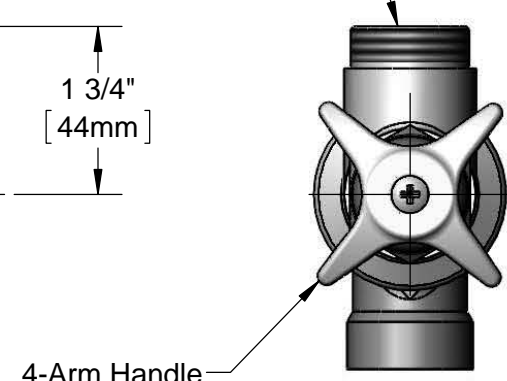
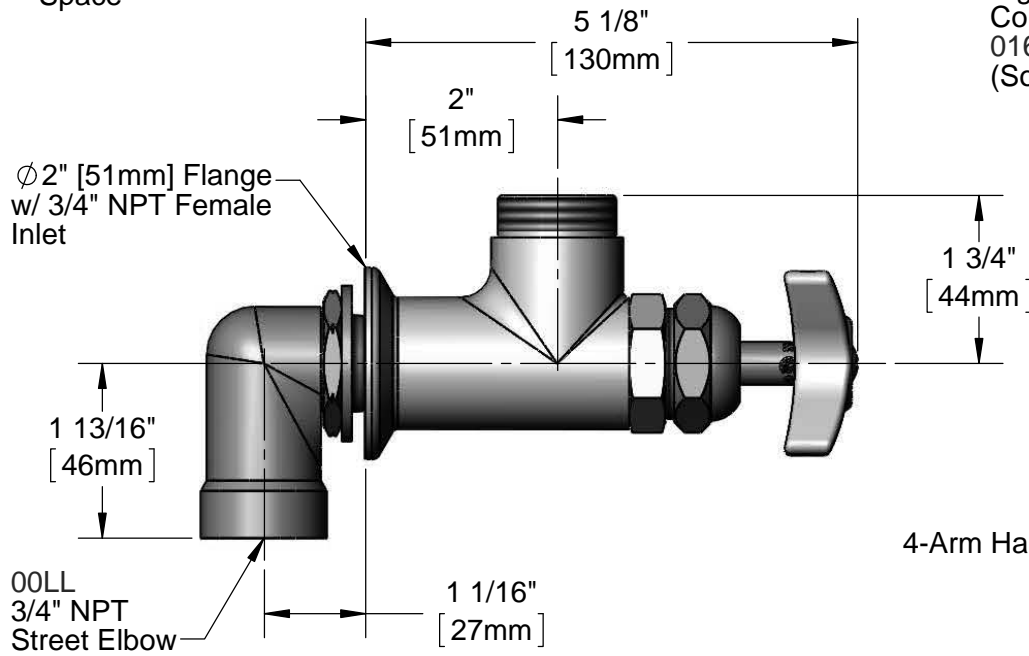
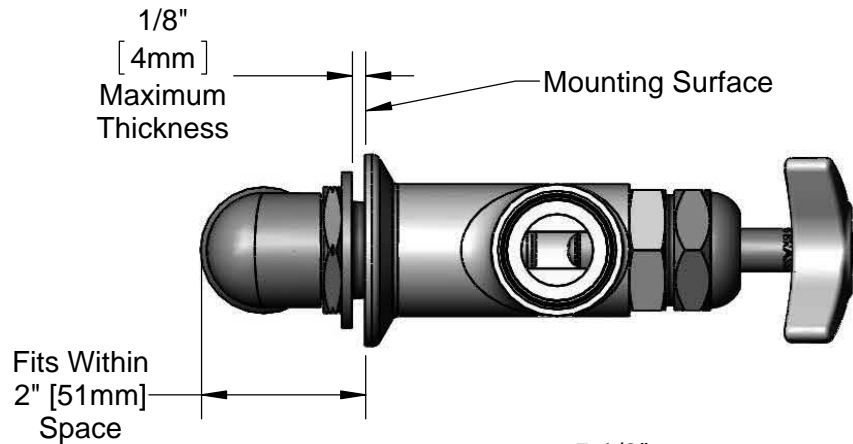
Architect/Engineer _____



ADA Compliant



Outlet Accepts T&S Big-Flo Swing Nozzles. Conversion to Rigid Requires 016807-45 Lock Washer (Sold Separately)



Rough-In Requirement:
 Ø1 1/4" [32mm] Hole

Product Specifications:
 Single Wall Mount Big-Flo Faucet Less Nozzle w/ 4-Arm Handle & 3/4" Street Elbow Inlet

Drawn DMH	Checked JRM	Approved JHB
Scale: 1:2		Date: 10/18/12



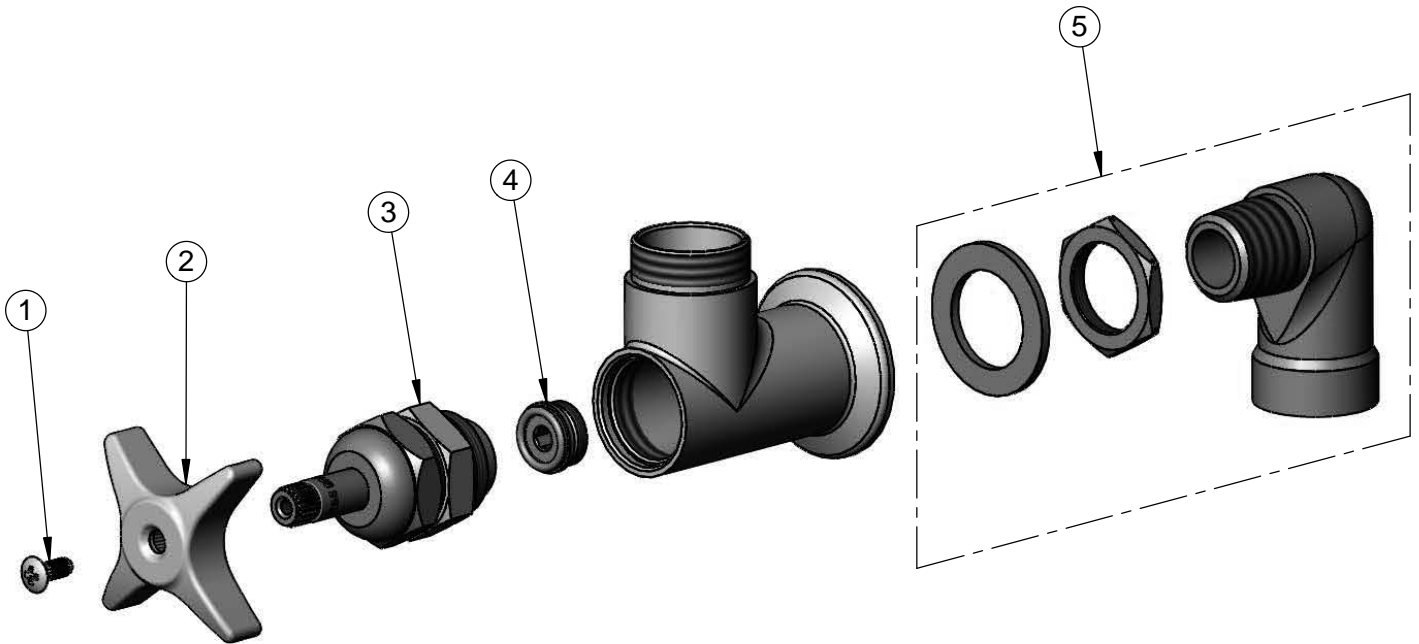
T&S BRASS AND BRONZE WORKS, INC.
 2 Saddleback Cove / P.O. Box 1088
 Travelers Rest, SC 29690

Model No.
BF-0299-LN

Item No.

Travelers Rest, SC: 800-476-4103 • Simi Valley, CA: 800-423-0150 • Fax: 864-834-3518 • www.tsbrass.com

ITEM NO.	SALES NO.	DESCRIPTION
1	000922-45	Lever Handle Screw
2	002521-45	4-Arm Handle
3	006482-40	Big-Flo Cartridge, RTC
4	000764-20	Seat, Big-Flo
5	00LL	3/4" Street Elbow Inlet



Product Specifications:
 Single Wall Mount Big-Flo Faucet Less Nozzle w/ 4-Arm Handle & 3/4" Street Elbow Inlet

Drawn DMH	Checked JRM	Approved JHB
Scale: NTS		Date: 10/18/12