



T&S BRASS AND BRONZE WORKS, INC.
 2 Saddleback Cove / P.O. Box 1088
 Travelers Rest, SC 29690

Model No.
BL-4500-04

Item No.

Travelers Rest, SC: 800-476-4103 • Simi Valley, CA: 800-423-0150 • Fax: 864-834-3518 • www.tsbrass.com

This Space for Architect/Engineer Approval

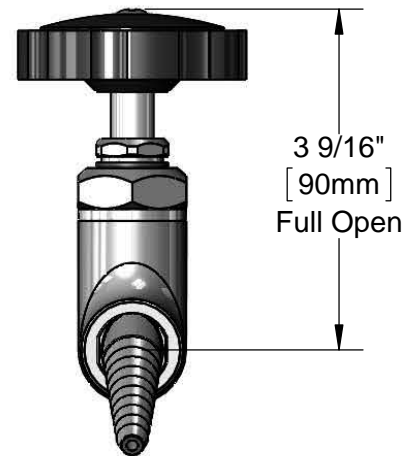
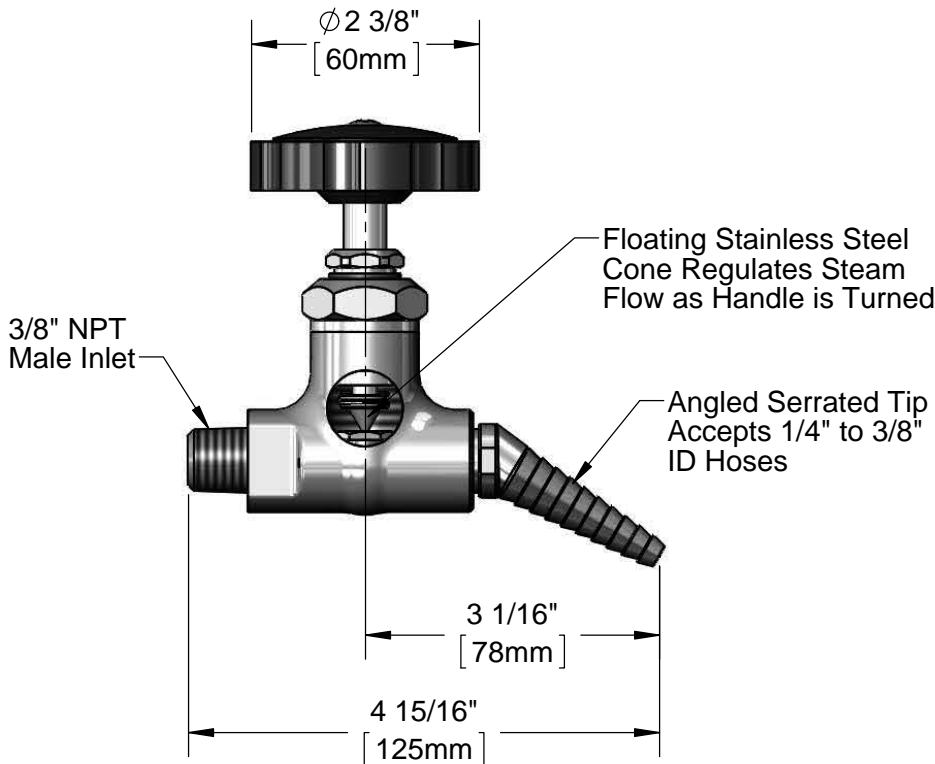
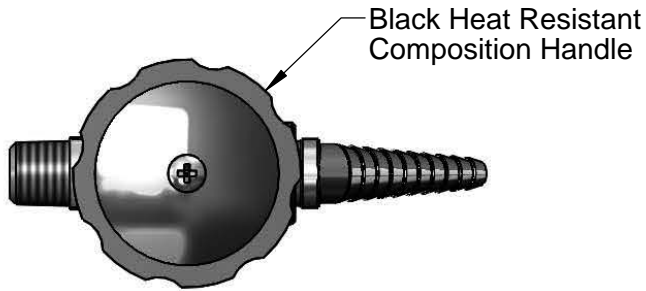
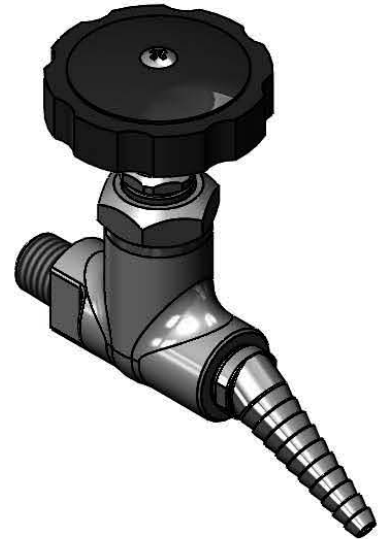
Job Name _____ Date _____

Model Specified _____ Quantity _____

Customer/Wholesaler _____

Contractor _____

Architect/Engineer _____



Product Specifications:
 Steam Stop w/ Black Heat Resistant Handle, Angled Serrated Tip & 3/8" NPT Male Inlet

Drawn DMH	Checked KJG	Approved JHB
Scale: 1:2		Date: 01/28/14



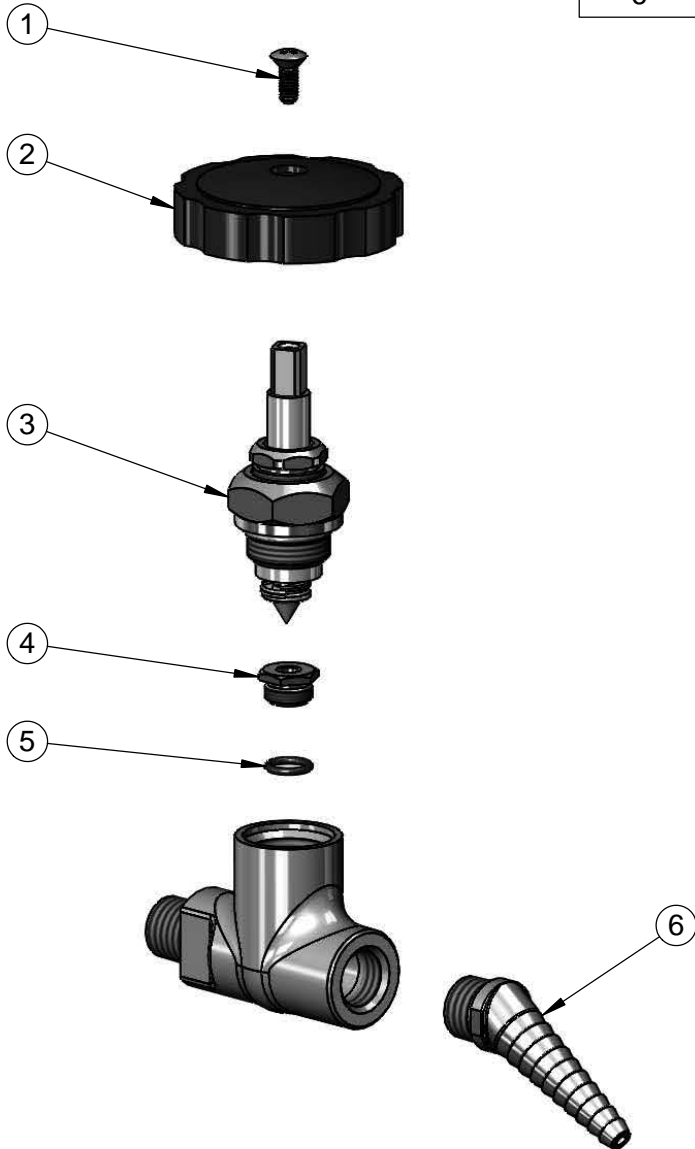
T&S BRASS AND BRONZE WORKS, INC.
 2 Saddleback Cove / P.O. Box 1088
 Travelers Rest, SC 29690

Model No.
BL-4500-04

Item No.

Travelers Rest, SC: 800-476-4103 • Simi Valley, CA: 800-423-0150 • Fax: 864-834-3518 • www.tsbrass.com

ITEM NO.	SALES NO.	DESCRIPTION
1	000922-45	Lever Handle Screw
2	001149-20	Handle, Heat Resistant, Black
3	118A	Spindle Assembly
4	000529-20	Seat, BL-4500-01
5	006574-45	O-ring
6	BL-5550-05	Angled Serrated Hose End



Product Specifications:
 Steam Stop w/ Black Heat Resistant Handle, Angled Serrated Tip &
 3/8" NPT Male Inlet

Drawn DMH	Checked KJG	Approved JHB
Scale: NTS		Date: 01/28/14