



T&S BRASS AND BRONZE WORKS, INC.

2 Saddleback Cove / P.O. Box 1088
Travelers Rest, SC 29690

Model No.

BL-5700-08-VR

Item No.

Travelers Rest, SC: 800-476-4103 • Simi Valley, CA: 800-423-0150 • Fax: 864-834-3518 • www.tsbrass.com



ADA Compliant

This Space for Architect/Engineer Approval

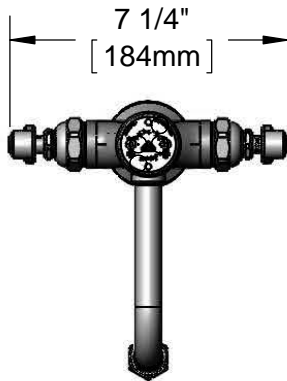
Job Name _____ Date _____

Model Specified _____ Quantity _____

Customer/Wholesaler _____

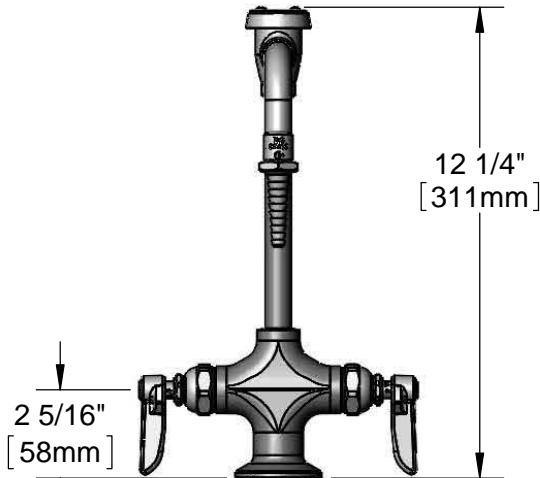
Contractor _____

Architect/Engineer _____



7 1/4"
[184mm]

B-0968
3/8" NPT
Vacuum Breaker



12 1/4"
[311mm]

2 5/16"
[58mm]

Serrated Tip
5 11/16"
[144mm]
6"
[153mm]

Eterna Cartridges & Lever Handles w/ VR Screws and Color Coded Indexes

Threaded Anti-Rotation Screws may be Inserted in any (2) Opposite Positions Preventing Twisting of Faucet. Requires Ø 7/32" Holes

18" Flexible Stainless Steel Supply Hoses

Compression Fittings for 5/8" O.D. Copper Tubing (Remove Compression Nut for 1/2" NPSM Male)

1 3/8"
[35mm]
Maximum Thickness



1 1/2"
[38mm]

3/4"
[19mm]

Bottom View

Product Specifications:

Single Hole Deck Mount Laboratory Mixing Faucet, Eterna Cartridges, Lever Handles w/ VR Screws, Rigid Vacuum Breaker Nozzle & Serrated Tip, Vandal Resistant Pins, 18" Flexible Stainless Steel Supply Hoses w/ 1/2" NPSM Male Inlets

Product Compliance:

ASME A112.18.1 / CSA B125.1
NSF 61 Exempt (Non-Potable)
ANSI A117.1 (ADA)
ASSE 1001 (VB)

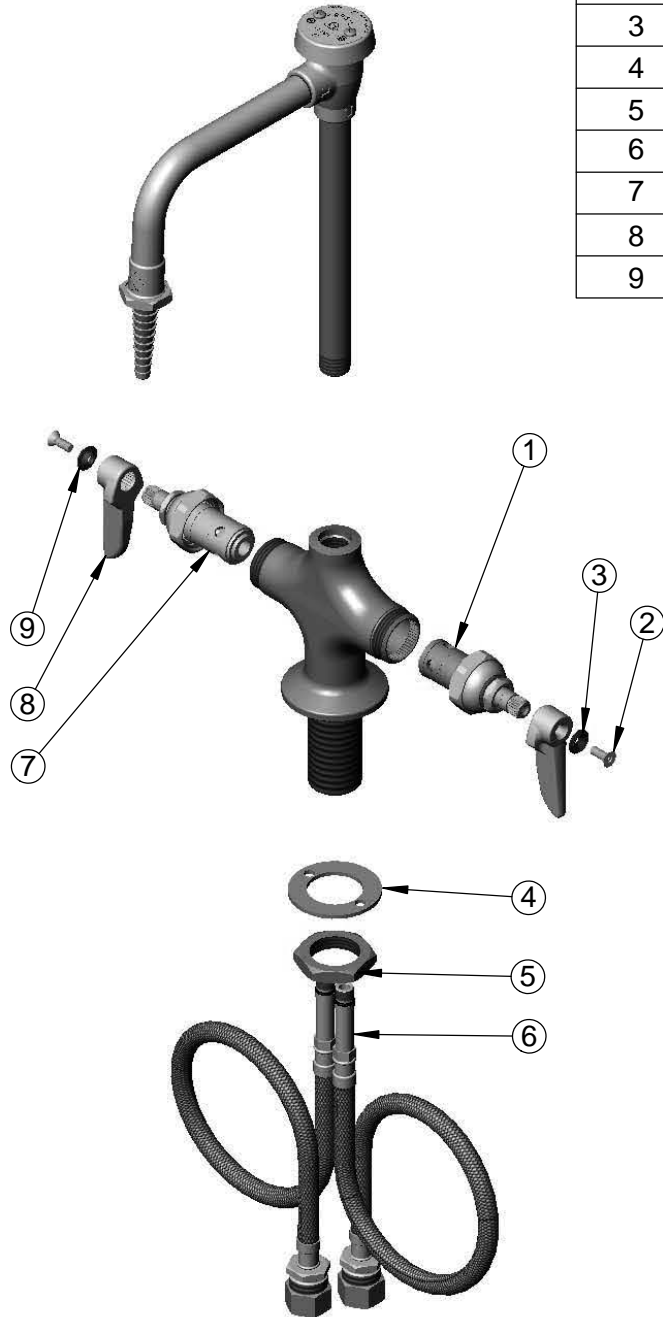


T&S BRASS AND BRONZE WORKS, INC.
 2 Saddleback Cove / P.O. Box 1088
 Travelers Rest, SC 29690

Model No.
BL-5700-08-VR
 Item No.

Travelers Rest, SC: 800-476-4103 • Simi Valley, CA: 800-423-0150 • Fax: 864-834-3518 • www.tsbrass.com

ITEM NO.	SALES NO.	DESCRIPTION
1	005959-40	Eterna Cartridge, LTC
2	B-VRS	Pin-In-Socket Screw w/ Hex Key
3	001660-45	Blue Index-CW
4	013039-20	Washer, VR Shank
5	000965-45	Lock Nut
6	012534-45	18" Flexible Supply Hose (2)
7	005960-40	Eterna Cartridge, RTC
8	001638-45	Lever Handle
9	001661-45	Red Index-HW



Product Specifications:
 Single Hole Deck Mount Laboratory Mixing Faucet, Eterna Cartridges, Lever Handles w/ VR Screws, Rigid Vacuum Breaker Nozzle & Serrated Tip, Vandal Resistant Pins, 18" Flexible Stainless Steel Supply Hoses w/ 1/2" NPSM Male Inlets

Product Compliance:
 ASME A112.18.1 / CSA B125.1
 NSF 61 Exempt (Non-Potable)
 ANSI A117.1 (ADA)
 ASSE 1001 (VB)