



# T&S BRASS AND BRONZE WORKS, INC.

2 Saddleback Cove / P.O. Box 1088  
Travelers Rest, SC 29690

Model No.

**BL-5704-03**

Item No.

Travelers Rest, SC: 800-476-4103 • Simi Valley, CA: 800-423-0150 • Fax: 864-834-3518 • www.tsbrass.com

This Space for Architect/Engineer Approval

Job Name \_\_\_\_\_ Date \_\_\_\_\_

Model Specified \_\_\_\_\_ Quantity \_\_\_\_\_

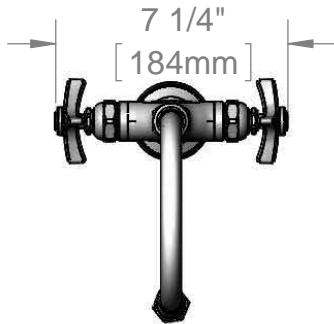
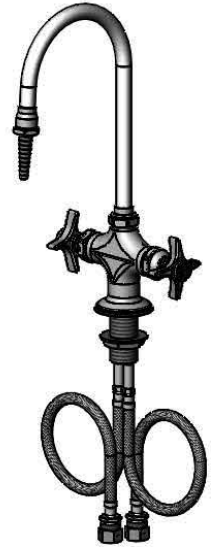
Customer/Wholesaler \_\_\_\_\_

Contractor \_\_\_\_\_

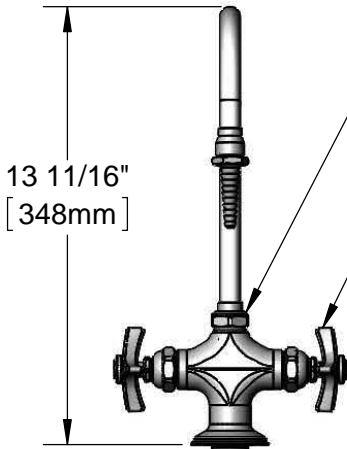
Architect/Engineer \_\_\_\_\_



**ADA Compliant**

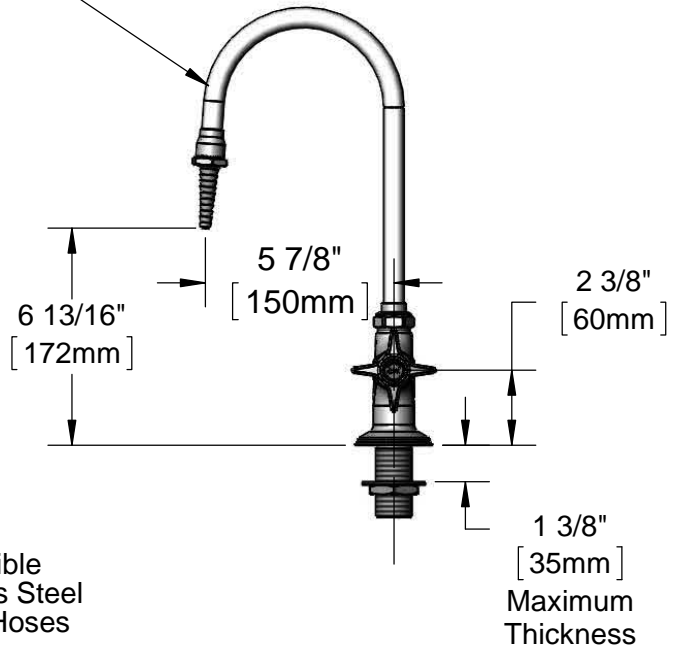


Swivel Gooseneck w/  
Serrated Tip Outlet



Furnished w/ Lock Washer to Convert from Swivel to Rigid Gooseneck.

Eterna Cartridges w/ 4-Arm Handles & Color Coded Indexes



$\phi 2 \frac{7}{16}$ "  
[62mm]

18" Flexible Stainless Steel Supply Hoses

Compression Fittings for 5/8" O.D. Copper Tubing (Remove Compression Nut for 1/2" NPSM Male)

Rough-in Requirement:  
 $\phi 1 \frac{1}{2}$ " [38mm] Mounting Hole

**Product Specifications:**

Lab Mixing Faucet w/ Gooseneck (Swivel or Rigid), Serrated Tip Outlet, 4 Arm Lab Handles & 18" Flexible Stainless Steel Supply Hoses w/ 1/2" NPSM Male Inlets

Drawn

**JRM**

Checked

**DHL**

Approved

**JHB**

Scale:

**1:6**

Date:

**06/05/15**



# T&S BRASS AND BRONZE WORKS, INC.

2 Saddleback Cove / P.O. Box 1088

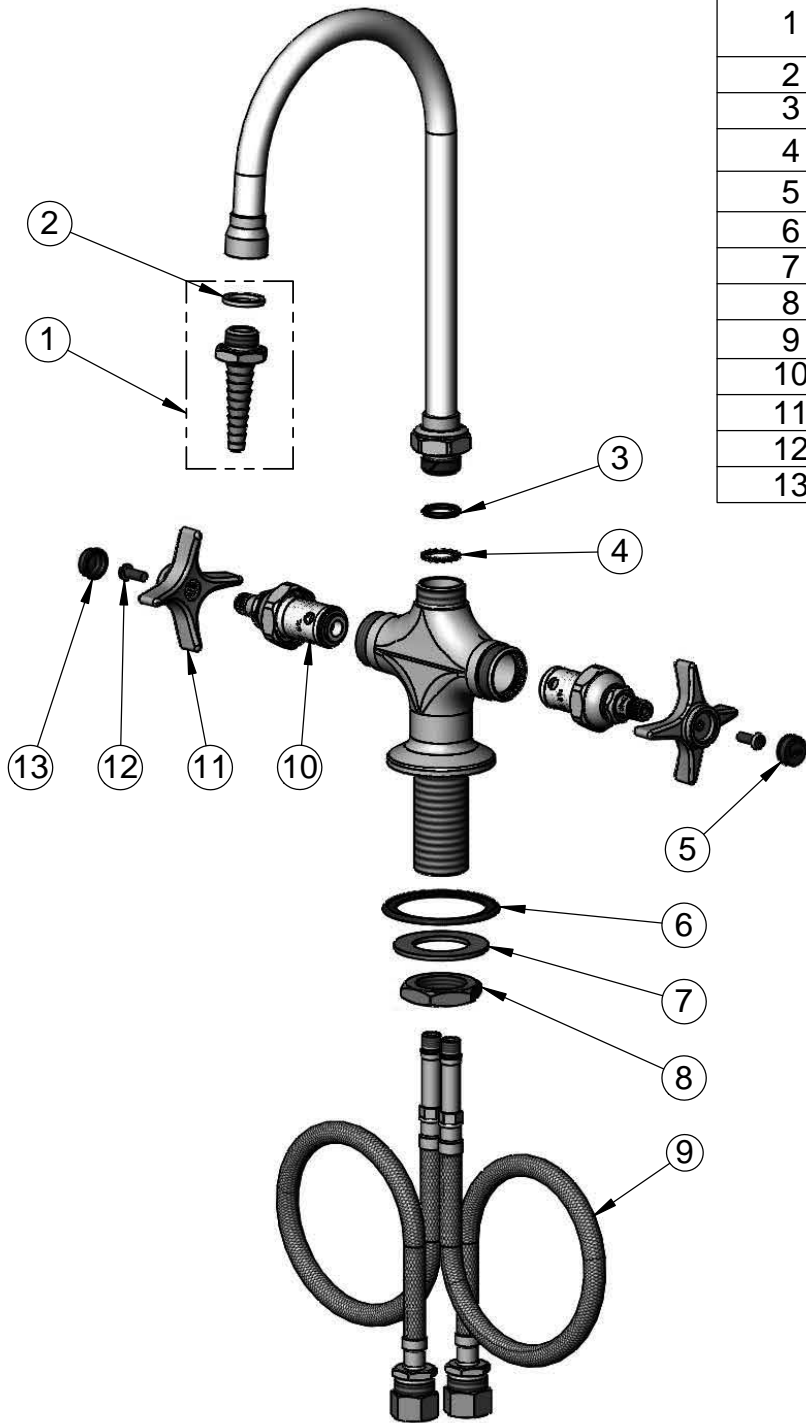
Travelers Rest, SC 29690

Model No.

**BL-5704-03**

Item No.

Travelers Rest, SC: 800-476-4103 • Simi Valley, CA: 800-423-0150 • Fax: 864-834-3518 • www.tsbrass.com



ITEM NO.	SALES NO.	DESCRIPTION
1	B-0198	Serrated Tip Outlet w/ Washer
2	001051-45	Washer
3	001074-45	O-Ring
4	014200-45	Star Washer, Anti-Rotation
5	001191-45	Green Index - CW
6	145L	Black Plastic Gasket
7	002290-45	Lock Washer
8	000965-45	Lock Nut
9	012534-45	Flexible Connector Hose
10	005960-40	Eterna Cartridge, RTC
11	000059-40	4-Arm Lab Handle
12	000925-45	Lab Handle Screw
13	001194-45	Red Index - HW

**Product Specifications:**

Lab Mixing Faucet w/ Gooseneck (Swivel or Rigid), Serrated Tip Outlet, 4 Arm Lab Handles & 18" Flexible Stainless Steel Supply Hoses w/ 1/2" NPSM Male Inlets

Drawn

**JRM**

Checked

Approved

Scale:

**NTS**

Date: