



T&S BRASS AND BRONZE WORKS, INC.

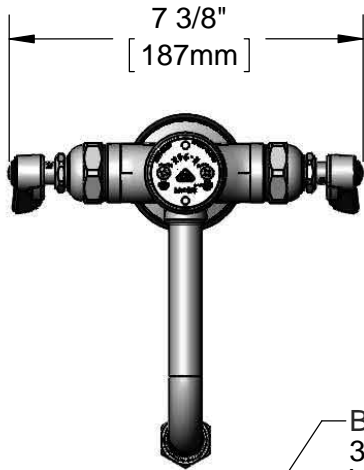
2 Saddleback Cove / P.O. Box 1088
Travelers Rest, SC 29690

Model No.

BL-5704-08L-QT

Item No.

Travelers Rest, SC: 800-476-4103 • Simi Valley, CA: 800-423-0150 • Fax: 864-834-3518 • www.tsbrass.com



ADA Compliant

This Space for Architect/Engineer Approval

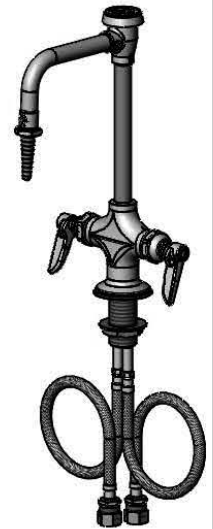
Job Name _____ Date _____

Model Specified _____ Quantity _____

Customer/Wholesaler _____

Contractor _____

Architect/Engineer _____



B-0968
3/8" NPT
Vacuum Breaker

Rigid Nozzle w/
Vacuum Breaker &
B-0198
Serrated Tip w/ Washer

3/8" NPT x 7" Riser

1/4 Turn Eterna Cartridges
& Lever Handles w/ Color
Coded Indexes

2 3/8"
[60mm]

Mounting
Surface

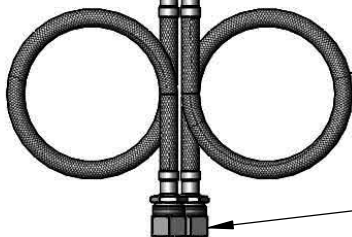
5 11/16"
[144mm]

6"
[152mm]

12 1/4"
[311mm]

Ø 2 7/16"
[62mm]
Deck Gasket

1 3/8"
[34mm]
Maximum
Thickness



18" Flexible
Stainless Steel
Supply Hoses

Compression Fittings
for 5/8" O.D. Copper Tubing
(Remove Compression Nut
for 1/2" NPSM Male)

Rough-In Requirement:
Ø 1 1/2" [38mm] Mounting Hole

Product Specifications:

Single Hole Deck Mount Laboratory Mixing Faucet, 1/4 Turn Eterna Cartridges, Lever Handles, Rigid Vacuum Breaker Nozzle w/ Serrated Tip Outlet, 18" Flexible Stainless Steel Supply Hoses w/ 1/2" NPSM Male Inlets

Product Compliance:

ASME A112.18.1 / CSA B125.1
NSF 61 Exempt (Non-Potable)
ANSI A117.1 (ADA)
ASSE 1001 (VB)

Drawn: JRM

Checked:

Approved:

Date:

Scale: 1:5

Sheet: 1 of 2



T&S BRASS AND BRONZE WORKS, INC.

2 Saddleback Cove / P.O. Box 1088
Travelers Rest, SC 29690

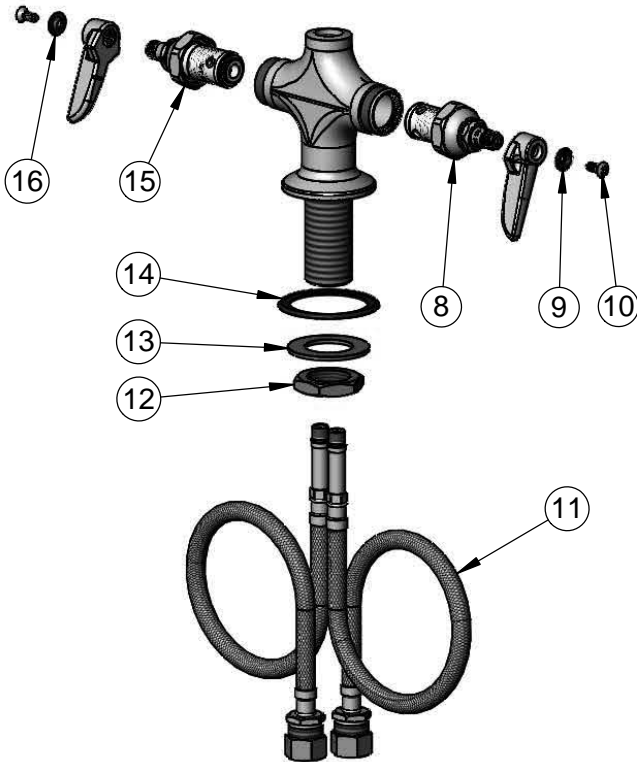
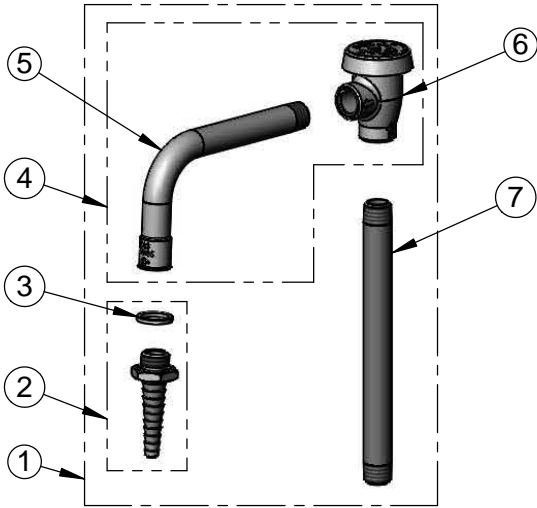
Model No.

BL-5704-08L-QT

Item No.

Travelers Rest, SC: 800-476-4103 • Simi Valley, CA: 800-423-0150 • Fax: 864-834-3518 • www.tsbrass.com

ITEM NO.	SALES NO.	DESCRIPTION
1	BL-5560-01	Rigid Vacuum Breaker Gooseneck w/ Serrated Tip Outlet & 3/8" NPT x 7" Riser
2	B-0198	Serrated Tip w/ Washer
3	001051-45	Washer, Serrated Tip
4	007283-40	Vacuum Breaker Nozzle
5	000387-40	Nozzle
6	B-0968	3/8" NPT Vacuum Breaker
7	000363-40	3/8" NPT x 7" Riser
8	005959-40QT	1/4 Turn Eterna Cartridge, LTC
9	001660-45	Blue Index-CW
10	000922-45	Lever Handle Screw
11	012534-45	18" Flexible Supply Hose (2)
12	000965-45	Lock Nut
13	002290-45	Lock Washer
14	145L	Black Plastic Gasket
15	005960-40QT	1/4 Turn Eterna Cartridge, RTC
16	001661-45	Red Index-HW



Product Specifications:

Single Hole Deck Mount Laboratory Mixing Faucet, 1/4 Turn Eterna Cartridges, Lever Handles, Rigid Vacuum Breaker Nozzle w/ Serrated Tip Outlet, 18" Flexible Stainless Steel Supply Hoses w/ 1/2" NPSM Male Inlets

Product Compliance:

ASME A112.18.1 / CSA B125.1
NSF 61 Exempt (Non-Potable)
ANSI A117.1 (ADA)
ASSE 1001 (VB)