



# T&S BRASS AND BRONZE WORKS, INC.

2 Saddleback Cove / P.O. Box 1088  
Travelers Rest, SC 29690

Model No.

**BL-5704-09**

Item No.

Travelers Rest, SC: 800-476-4103 • Simi Valley, CA: 800-423-0150 • Fax: 864-834-3518 • www.tsbrass.com



**ADA Compliant**

This Space for Architect/Engineer Approval

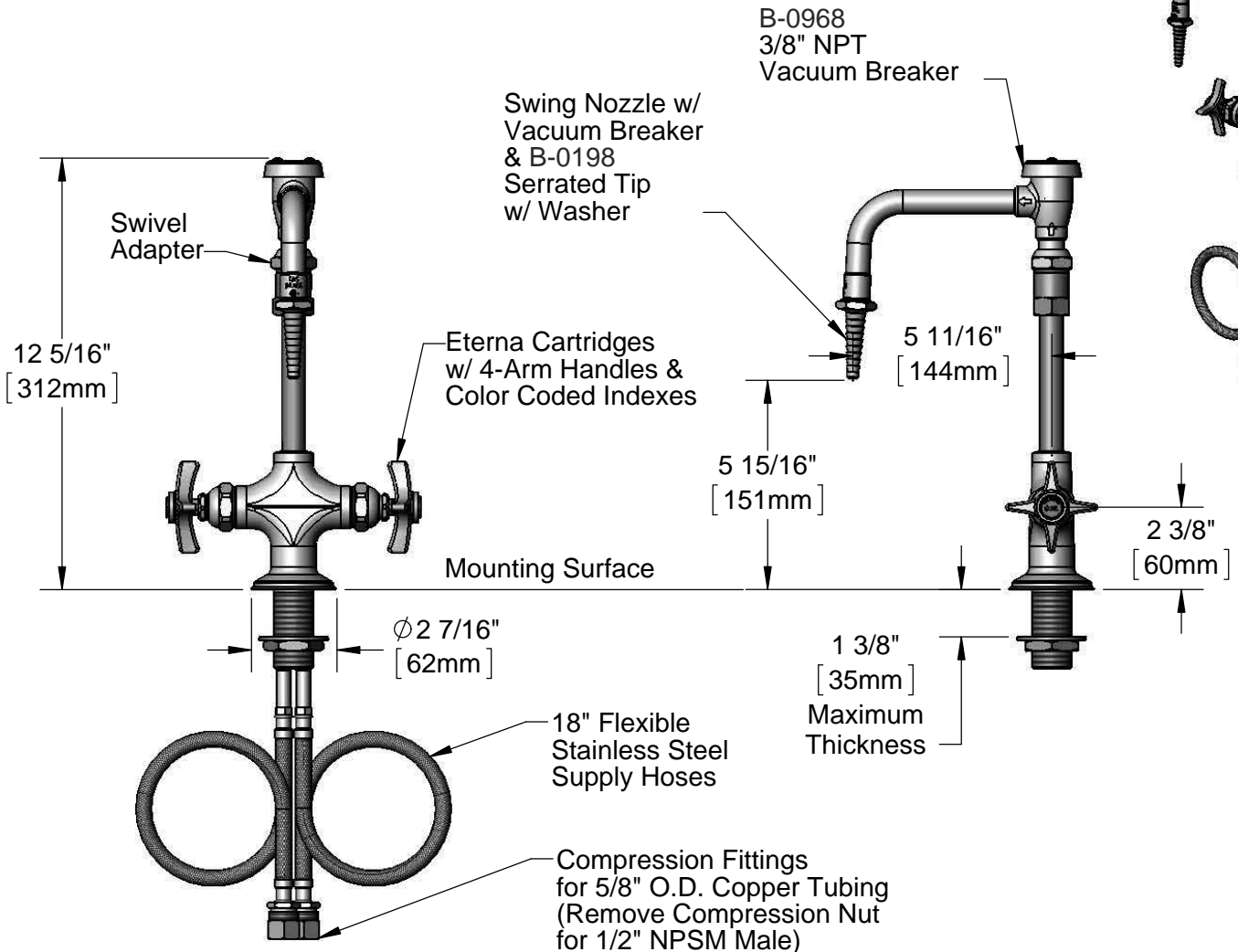
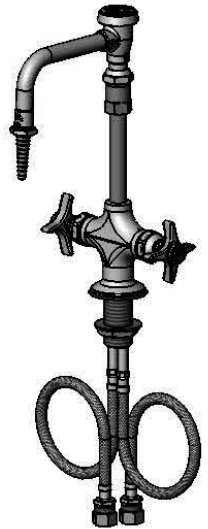
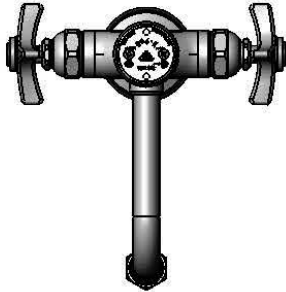
Job Name \_\_\_\_\_ Date \_\_\_\_\_

Model Specified \_\_\_\_\_ Quantity \_\_\_\_\_

Customer/Wholesaler \_\_\_\_\_

Contractor \_\_\_\_\_

Architect/Engineer \_\_\_\_\_



**Rough-in Requirement:**  
Ø 1 1/2" [38mm] Mounting Hole

**Product Specifications:**

Single Hole Deck Mount Laboratory Mixing Faucet, Eterna Cartridges, 4-Arm Handles, Swing Nozzle w/ Serrated Tip Outlet, 3/8" NPT Vacuum Breaker Swing Nozzle, 18" Flexible Stainless Steel Supply Hoses w/ 1/2" NPSM Male Inlets

**Product Compliance:**

ASME A112.18.1 / CSA B125.1  
NSF 61 Exempt (Non-Potable)  
ASSE 1001 (VB)  
ANSI A117.1 (ADA)



# T&S BRASS AND BRONZE WORKS, INC.

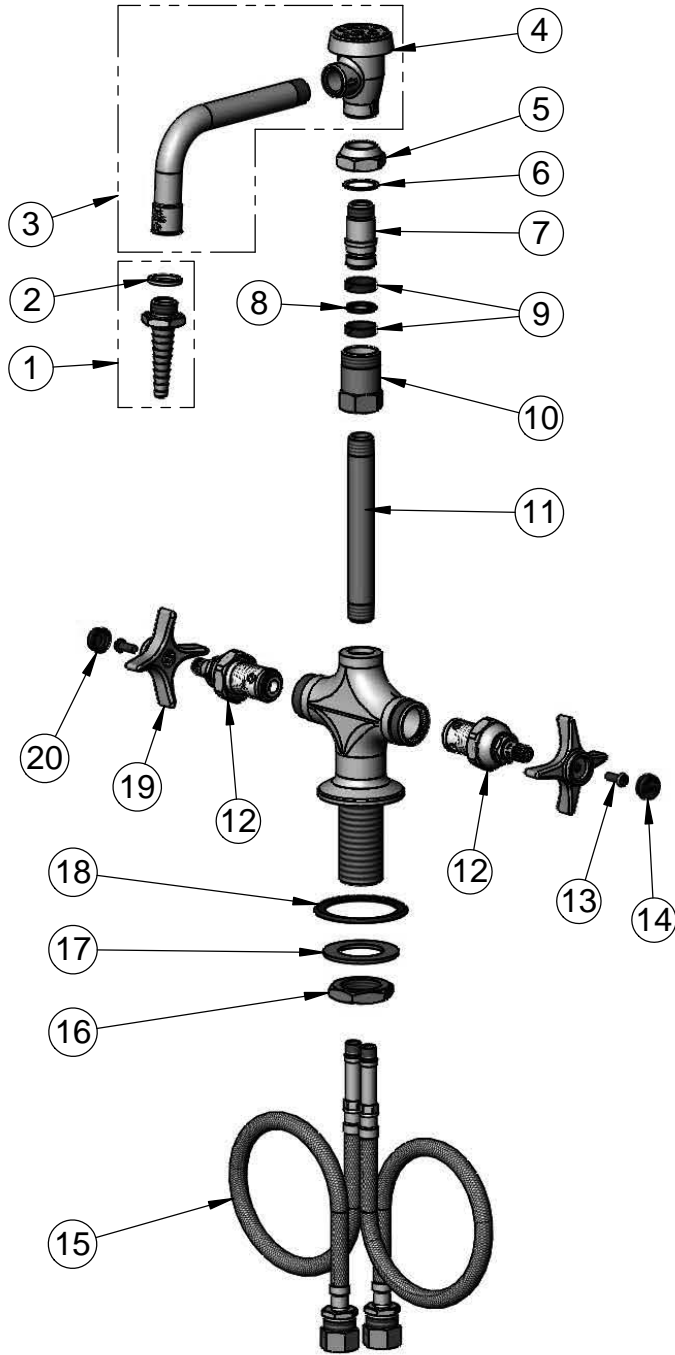
2 Saddleback Cove / P.O. Box 1088  
Travelers Rest, SC 29690

Model No.

**BL-5704-09**

Item No.

Travelers Rest, SC: 800-476-4103 • Simi Valley, CA: 800-423-0150 • Fax: 864-834-3518 • www.tsbrass.com



ITEM NO.	SALES NO.	DESCRIPTION
1	B-0198	Serrated Tip w/ Washer
2	001051-45	Washer, Serrated Tip
3	007283-40	Vacuum Breaker Nozzle Assembly
4	B-0968	3/8" NPT Vacuum Breaker
5	000711-40	Swivel Nut
6	009E	Plastic Washer
7	000843-25	Swivel Body
8	001074-45	O-Ring
9	011429-45	Swivel Sleeves (2)
10	054X	Swivel Body
11	000361-40	Nipple, 3/8" NPT x 5"
12	005960-40	Eterna Cartridge, RTC
13	000925-45	Lab Handle Screw
14	001191-45	Green Index - CW
15	012534-45	18" Flexible Supply Hose (2)
16	000965-45	Lock Nut
17	002290-45	Lock Washer
18	145L	Black Plastic Gasket
19	000059-40	4-Arm Lab Handle
20	001194-45	Red Index - HW

**Product Specifications:**

Single Hole Deck Mount Laboratory Mixing Faucet, Eterna Cartridges, 4-Arm Handles, Swing Nozzle w/ Serrated Tip Outlet, 3/8" NPT Vacuum Breaker Swing Nozzle, 18" Flexible Stainless Steel Supply Hoses w/ 1/2" NPSM Male Inlets

**Product Compliance:**

ASME A112.18.1 / CSA B125.1  
NSF 61 Exempt (Non-Potable)  
ASSE 1001 (VB)  
ANSI A117.1 (ADA)