



T&S BRASS AND BRONZE WORKS, INC.

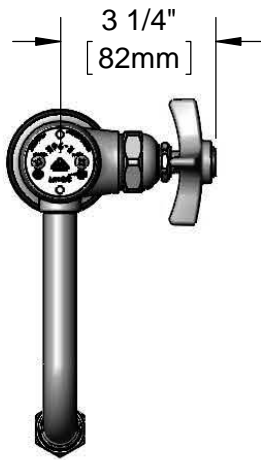
2 Saddleback Cove / P.O. Box 1088
Travelers Rest, SC 29690

Model No.

BL-5705-09

Item No.

Travelers Rest, SC: 800-476-4103 • Simi Valley, CA: 800-423-0150 • Fax: 864-834-3518 • www.tsbrass.com



ADA Compliant

This Space for Architect/Engineer Approval

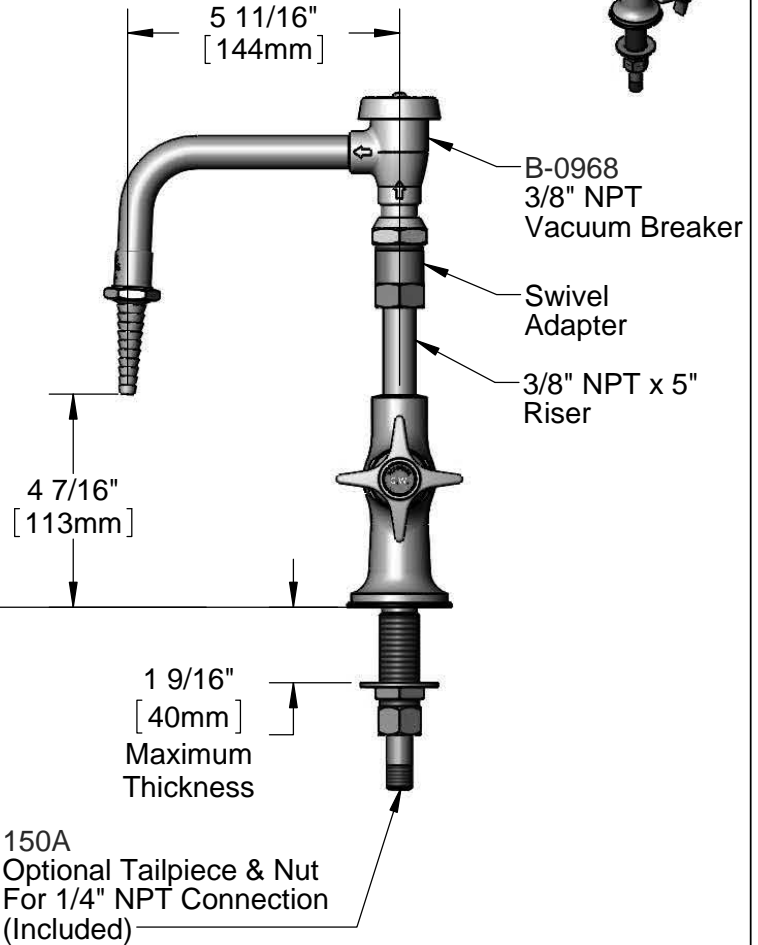
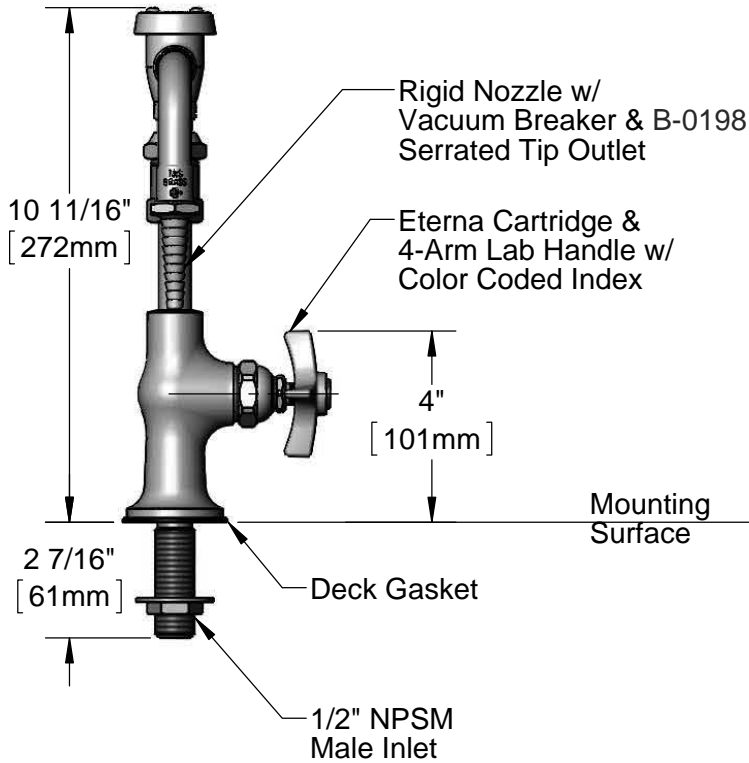
Job Name _____ Date _____

Model Specified _____ Quantity _____

Customer/Wholesaler _____

Contractor _____

Architect/Engineer _____



Mounting Surface

Rough-In Requirement:
Ø 1" [25mm] Mounting Hole

Product Specifications:

Single Hole Single Temperature Deck Mount Laboratory Faucet, Eterna Cartridge, 4-Arm Lab Handle, Rigid Vacuum Breaker Nozzle, Serrated Tip & 1/2" NPSM Male Inlet

Product Compliance:

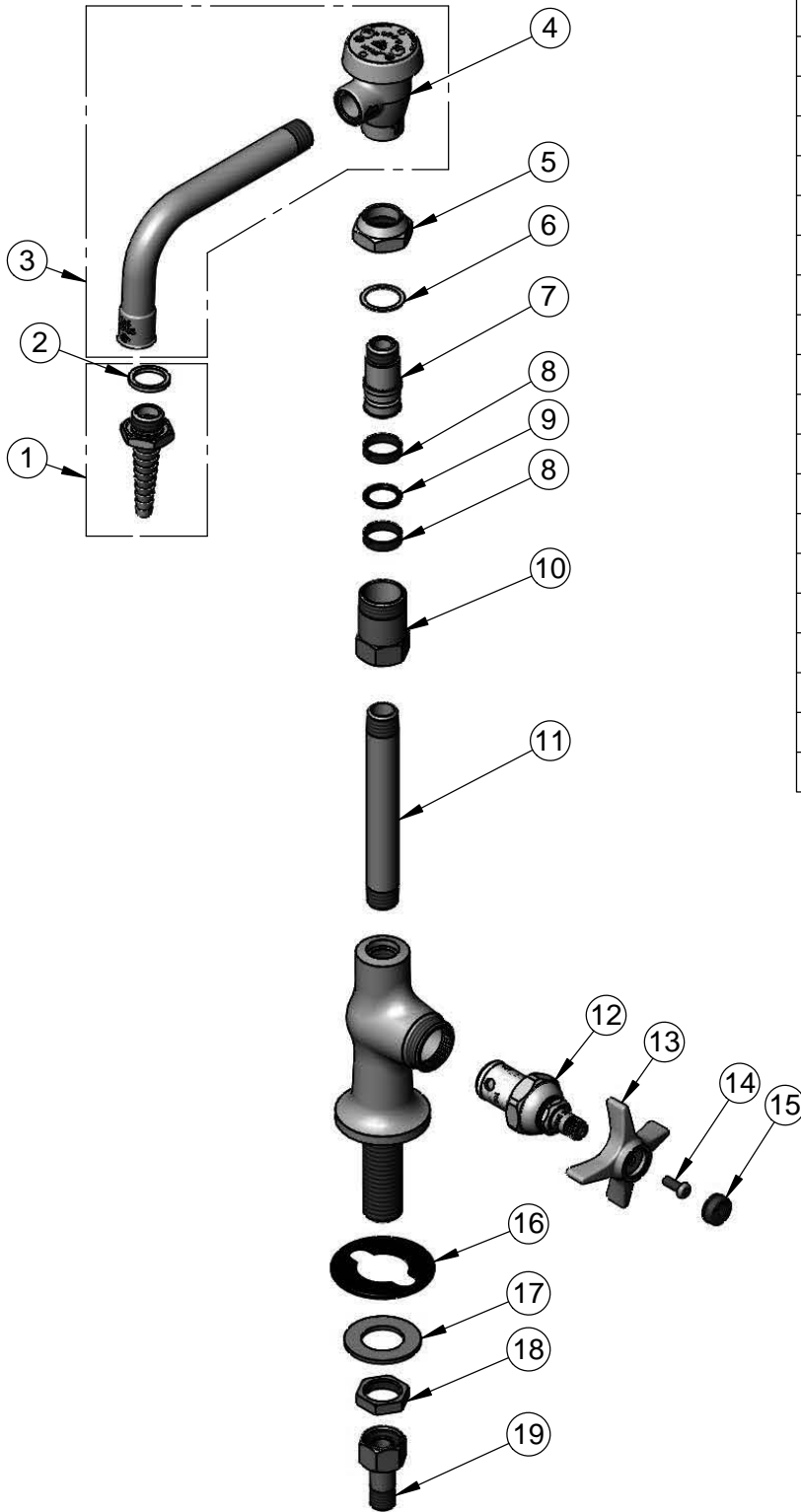
ASME A112.18.1 / CSA B125.1
NSF 61 Exempt (Non-Potable)
ANSI A117.1 (ADA)
ASSE 1001 (VB)



T&S BRASS AND BRONZE WORKS, INC.
 2 Saddleback Cove / P.O. Box 1088
 Travelers Rest, SC 29690

Model No.
BL-5705-09
 Item No.

Travelers Rest, SC: 800-476-4103 • Simi Valley, CA: 800-423-0150 • Fax: 864-834-3518 • www.tsbrass.com



ITEM NO.	SALES NO.	DESCRIPTION
1	B-0198	Serrated Tip
2	001051-45	Washer
3	007283-40	Serrated Tip
4	B-0968	3/8" NPT Vacuum Breaker
5	000711-40	Swivel Nut
6	009E	Plastic Washer
7	000843-25	Swivel Adapter
8	011429-45	Swivel Sleeves (2)
9	001074-45	O-Ring
10	054X	Swivel Body
11	000361-40	Nipple, 3/8" x 5"
12	005960-40	Eterna Cartridge, RTC
13	000059-40	4-Arm Lab Handle
14	000925-45	Lab Handle Screw
15	001191-45	Green Index - CW
16	144L	Black Plastic Deck Gasket
17	000999-45	Brass Washer
18	002954-45	Shank Lock Nut
19	150A	1/4" NPT Tailpiece & Nut

Product Specifications:

Single Hole Single Temperature Deck Mount Laboratory Faucet, Eterna Cartridge, 4-Arm Lab Handle, Rigid Vacuum Breaker Nozzle, Serrated Tip & 1/2" NPSM Male Inlet

Product Compliance:

ASME A112.18.1 / CSA B125.1
 NSF 61 Exempt (Non-Potable)
 ANSI A117.1 (ADA)
 ASSE 1001 (VB)