



**T&S BRASS AND BRONZE WORKS, INC.**

2 Saddleback Cove / P.O. Box 1088  
Travelers Rest, SC 29690



REG. #A2601  
ISO #9001

Model No.

**BL-5707-01**

Item No.

Travelers Rest, SC: 800-476-4103 • Simi Valley, CA: 800-423-0150 • Fax: 864-834-3518 • www.tsbrass.com

This Space for Architect/Engineer Approval

Job Name \_\_\_\_\_ Date \_\_\_\_\_

Model Specified \_\_\_\_\_ Quantity \_\_\_\_\_

Customer/Wholesaler \_\_\_\_\_

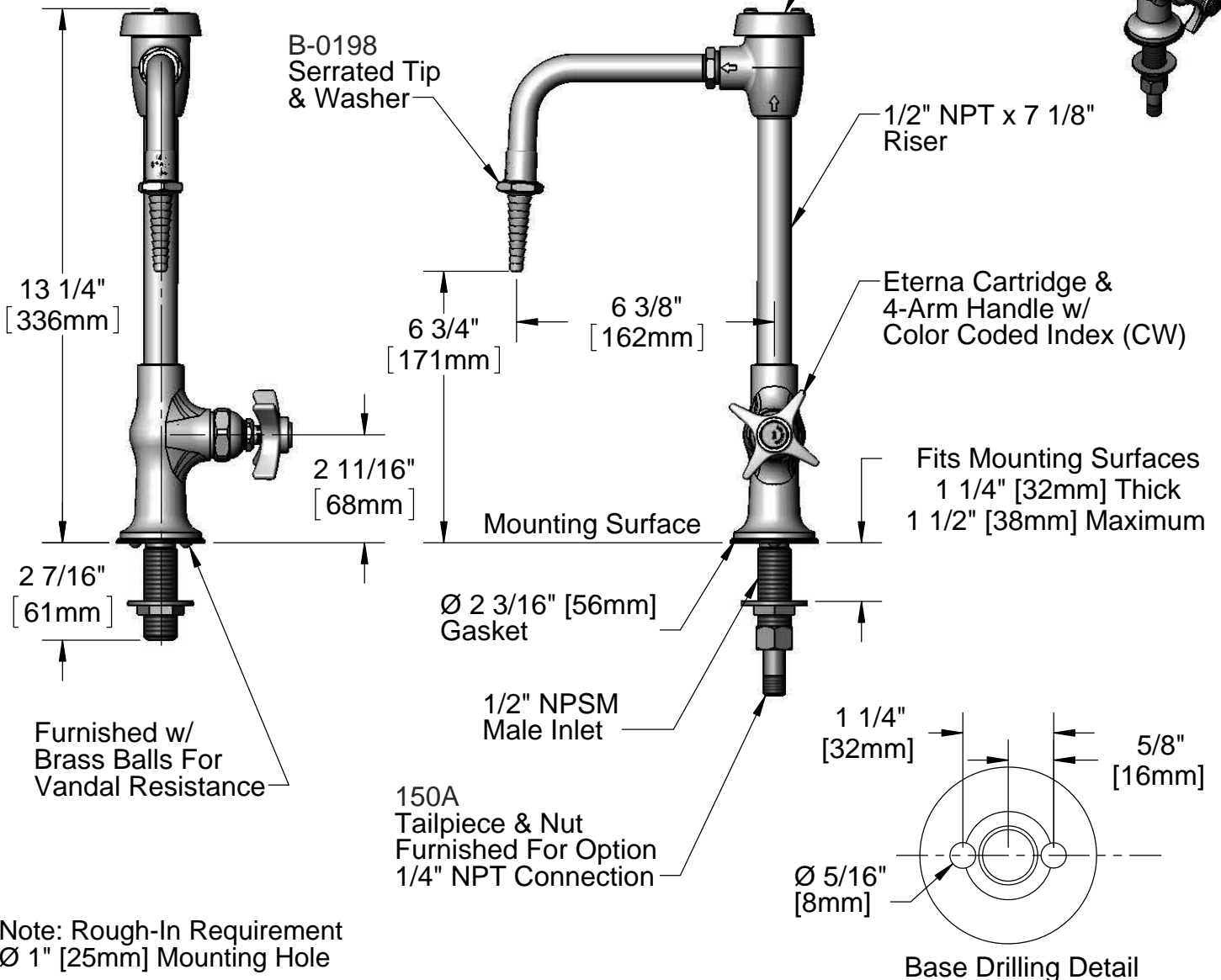
Contractor \_\_\_\_\_

Architect/Engineer \_\_\_\_\_



**ADA Compliant**

B-0969  
1/2" NPT  
Vacuum Breaker



Note: Rough-In Requirement  
Ø 1" [25mm] Mounting Hole

Product Specifications:  
Vandal Resistant Single Temperature Laboratory Faucet w/  
Rigid Vacuum Breaker Nozzle, Serrated Tip Outlet &  
1/2" NPSM Male Shank Inlet

Drawn <b>DHL</b>	Checked <b>DMH</b>	Approved <b>JHB</b>
Scale: <b>1:4</b>		Date: <b>08/24/11</b>



**T&S BRASS AND BRONZE WORKS, INC.**

2 Saddleback Cove / P.O. Box 1088  
Travelers Rest, SC 29690



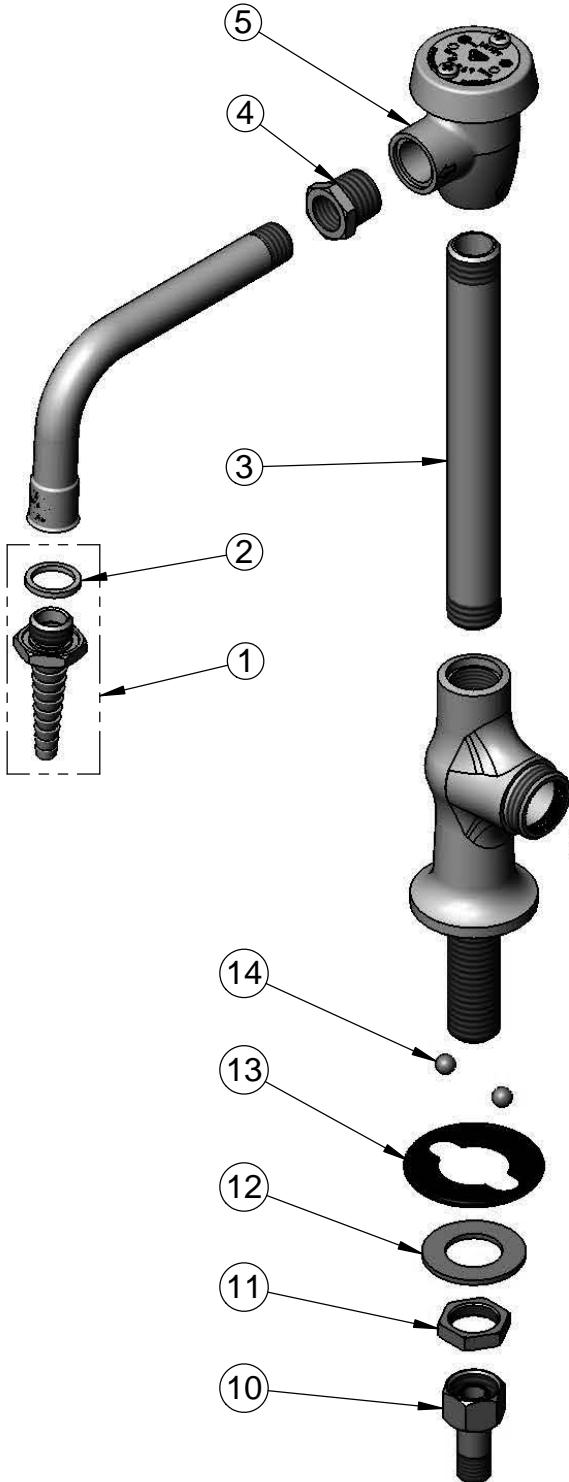
REG. #A2601  
ISO #9001

Model No.

**BL-5707-01**

Item No.

Travelers Rest, SC: 800-476-4103 • Simi Valley, CA: 800-423-0150 • Fax: 864-834-3518 • www.tsbrass.com



ITEM NO.	SALES NO.	DESCRIPTION
1	B-0198	Serrated Tip w/ Washer
2	001051-45	Washer
3	001507-40	BL-5707 Riser
4	001359-40	Hex Bushing, 1/2" Male x 3/8" Female
5	B-0969	Vacuum Breaker, 1/2"
6	005960-40	Eterna Cartridge - RTC
7	000059-40	4-Arm Lab Handle
8	000925-45	Lab Handle Screw
9	001191-45	Cap, Index, Green, Cold Water
10	150A	Bag of (1) Nut & (1) Tailpiece
11	002954-45	Shank Lock Nut
12	000999-45	Brass Lock Washer
13	144L	Gasket Polypropylene
14	001408-45	5/16" Brass Ball (1)

Product Specifications:  
Vandal Resistant Single Temperature Laboratory Faucet w/  
Rigid Vacuum Breaker Nozzle, Serrated Tip Outlet &  
1/2" NPSM Male Shank Inlet

Drawn <b>DHL</b>	Checked <b>DMH</b>	Approved <b>JHB</b>
Scale: <b>NTS</b>		Date: <b>08/24/11</b>