



T&S BRASS AND BRONZE WORKS, INC.

2 Saddleback Cove / P.O. Box 1088
Travelers Rest, SC 29690

Model No.

BL-5709-02

Item No.

Travelers Rest, SC: 800-476-4103 • Simi Valley, CA: 800-423-0150 • Fax: 864-834-3518 • www.tsbrass.com

This Space for Architect/Engineer Approval

Job Name _____ Date _____

Model Specified _____ Quantity _____

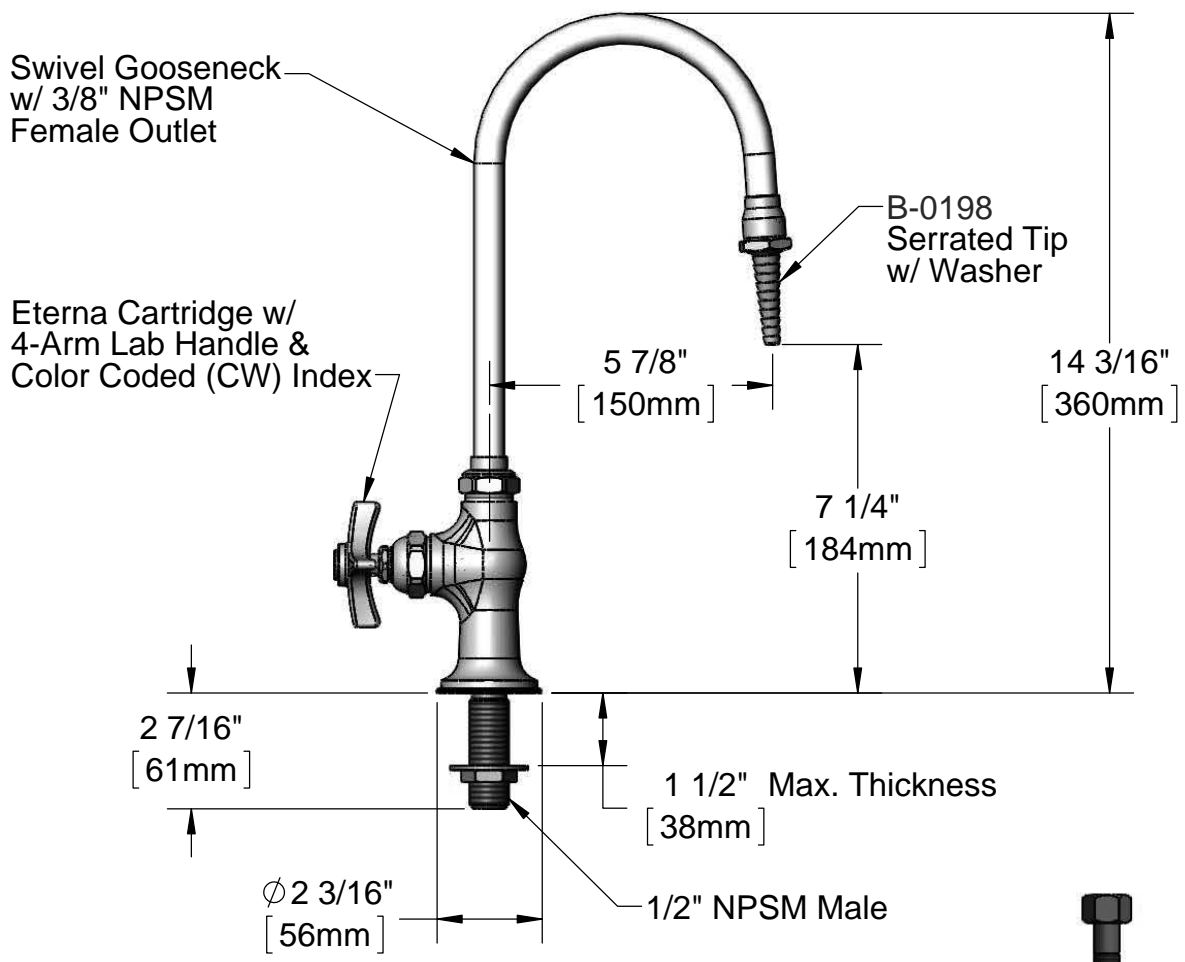
Customer/Wholesaler _____

Contractor _____

Architect/Engineer _____



ADA Compliant



150A Tailpiece and Nut
Included for Optional
1/4" NPT Connection

Rough-in Requirement:
 $\phi 1''$ [25mm] Hole

Product Specifications:
Single Temperature Lab Faucet w/ Swivel Gooseneck,
Serrated Tip Outlet, & 1/2" NPSM Male Shank

Drawn DMH	Checked KJG	Approved JHB
Scale: 1:4		Date: 11/14/11



T&S BRASS AND BRONZE WORKS, INC.

2 Saddleback Cove / P.O. Box 1088

Travelers Rest, SC 29690

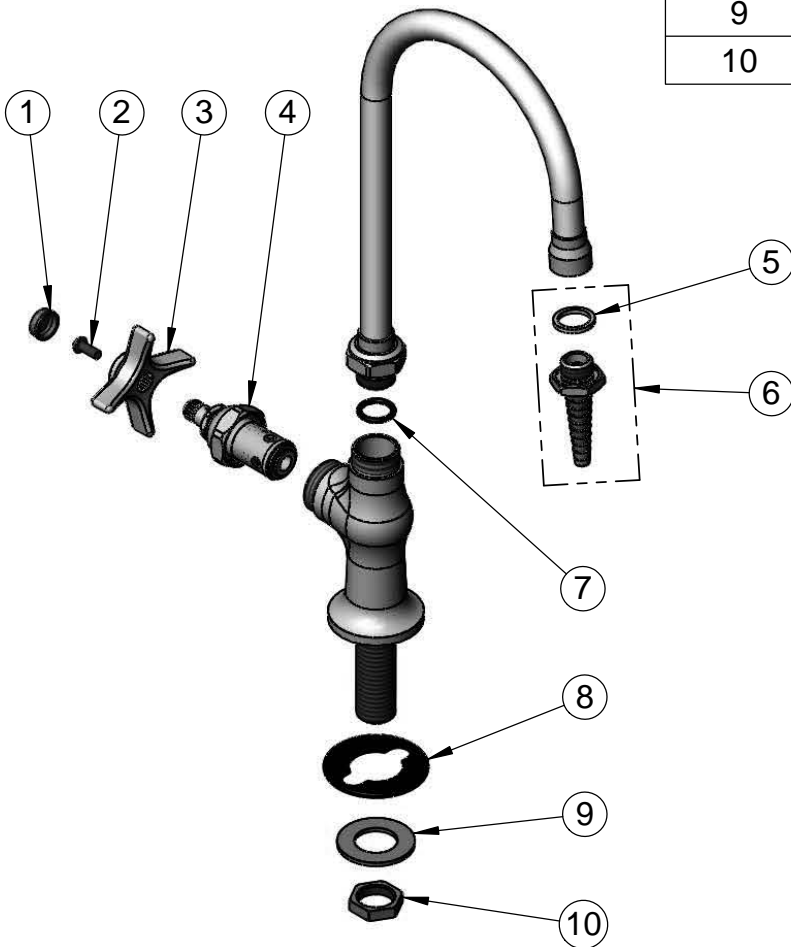
Model No.

BL-5709-02

Item No.

Travelers Rest, SC: 800-476-4103 • Simi Valley, CA: 800-423-0150 • Fax: 864-834-3518 • www.tsbrass.com

ITEM NO.	SALES NO.	DESCRIPTION
1	001191-45	Cap, Index, Green, Cold Water
2	000925-45	Lab Handle Screw
3	000059-40	4-Arm Lab Handle
4	005960-40	Eterna Cartridge RTC
5	001051-45	Washer
6	B-0198	Serrated Tip Outlet w/ Washer
7	001074-45	O-Ring
8	144L	Gasket Polypropylene
9	000999-45	Brass Lock Washer
10	002954-45	Shank Lock Nut



Product Specifications:
 Single Temperature Lab Faucet w/ Swivel Gooseneck,
 Serrated Tip Outlet, & 1/2" NPSM Male Shank

Drawn DMH	Checked KJG	Approved JHB
Scale: NTS		Date: 11/14/11