



T&S BRASS AND BRONZE WORKS, INC.

2 Saddleback Cove / P.O. Box 1088
Travelers Rest, SC 29690

Model No.

BL-5709-05

Item No.

Travelers Rest, SC: 800-476-4103 • Simi Valley, CA: 800-423-0150 • Fax: 864-834-3518 • www.tsbrass.com

This Space for Architect/Engineer Approval

Job Name _____ Date _____

Model Specified _____ Quantity _____

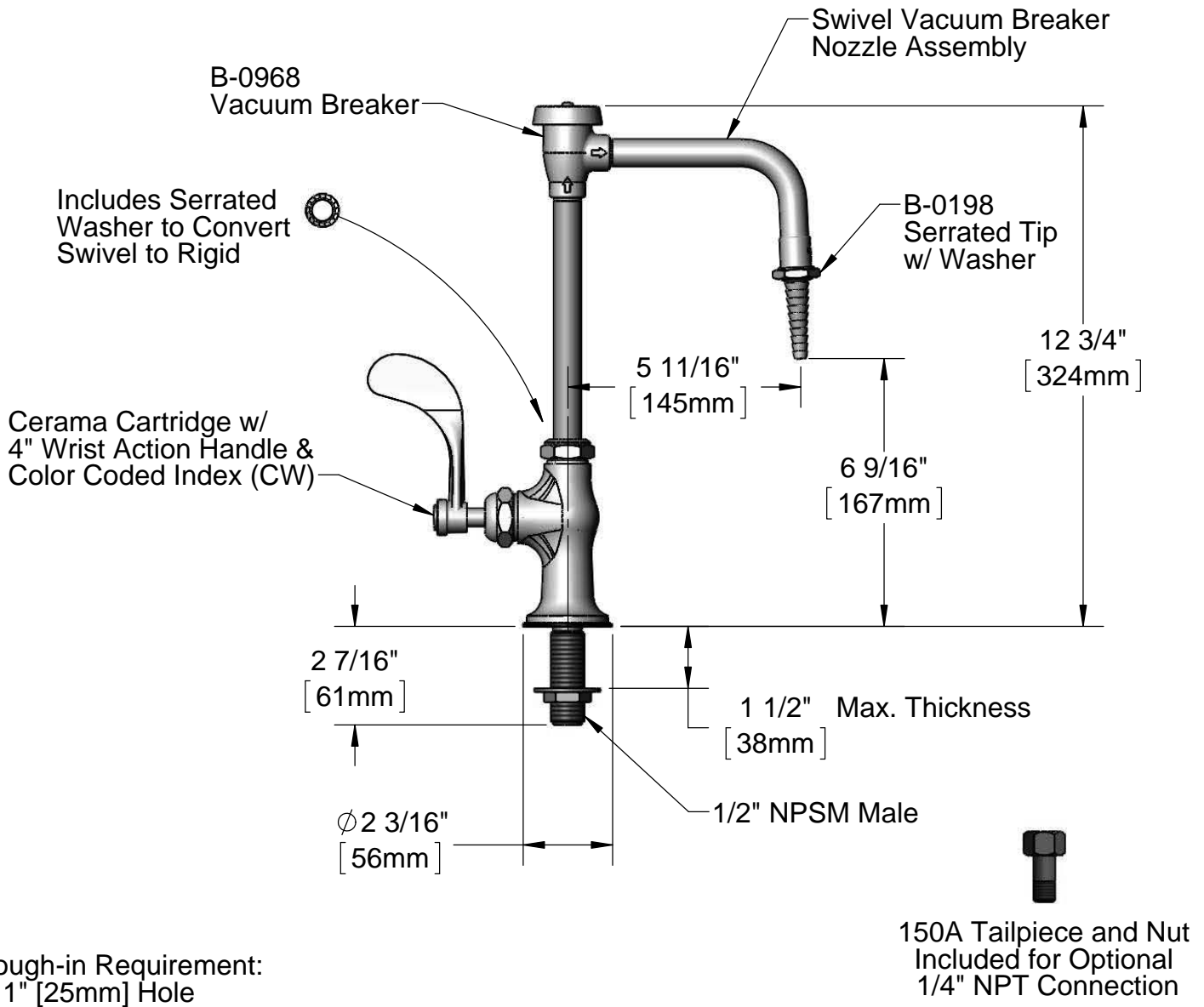
Customer/Wholesaler _____

Contractor _____

Architect/Engineer _____



ADA Compliant



Rough-in Requirement:
Ø 1" [25mm] Hole

Product Specifications:

Single Temperature Lab Faucet w/ Vacuum Breaker Swing Nozzle, Serrated Tip Outlet, 4" Wrist Action Handle & 1/2" NPSM Shank

Drawn

DMH

Checked

KJG

Approved

JHB

Scale:

1:4

Date:

11/14/11



T&S BRASS AND BRONZE WORKS, INC.

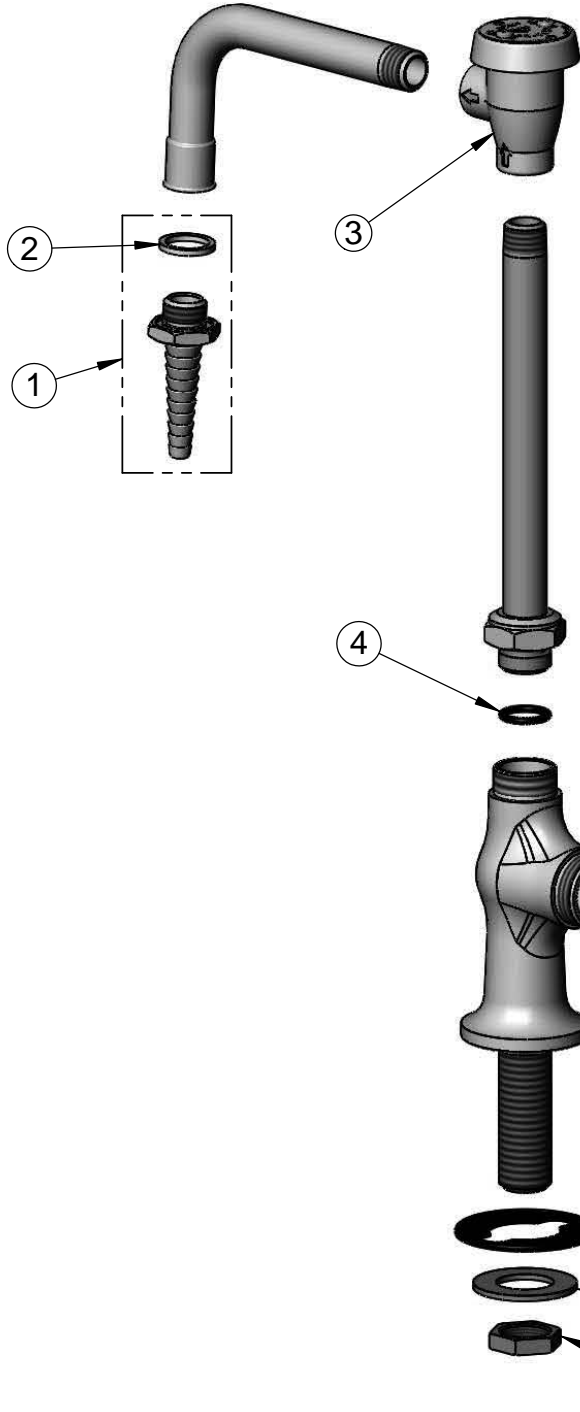
2 Saddleback Cove / P.O. Box 1088
Travelers Rest, SC 29690

Model No.

BL-5709-05

Item No.

Travelers Rest, SC: 800-476-4103 • Simi Valley, CA: 800-423-0150 • Fax: 864-834-3518 • www.tsbrass.com



ITEM NO.	SALES NO.	DESCRIPTION
1	B-0198	Serrated Tip
2	001051-45	Washer
3	B-0968	Vacuum Breaker, 3/8"
4	001074-45	O-Ring
5	011278-25	Cerama Cartridge RTC w/ Bonnet
6	B-WH4	4" Wrist Action Handle
7	000925-45	Lab Handle Screw
8	001191-45	Cap, Index, Green, Cold Water
9	144L	Gasket Polypropylene
10	000999-45	Brass Lock Washer
11	002954-45	Shank Lock Nut



014200-45
Serrated Washer
(Converts Swivel to Rigid)

Product Specifications:

Single Temperature Lab Faucet w/ Vacuum Breaker Swing Nozzle, Serrated Tip Outlet, 4" Wrist Action Handle & 1/2" NPSM Shank

Drawn DMH	Checked KJG	Approved JHB
Scale: NTS		Date: 11/14/11