



T&S BRASS AND BRONZE WORKS, INC.

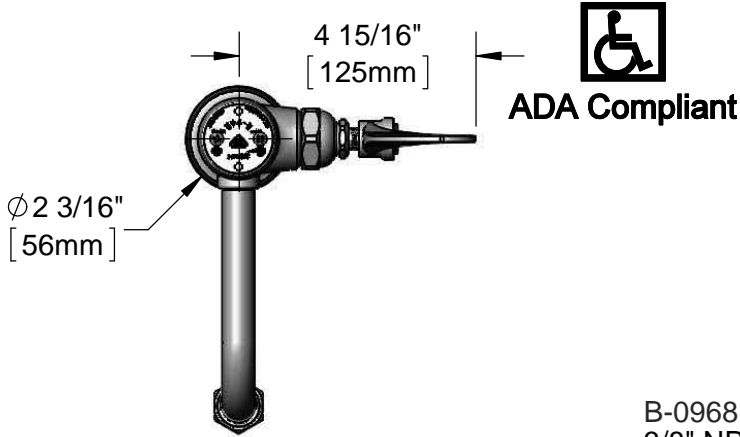
2 Saddleback Cove / P.O. Box 1088
Travelers Rest, SC 29690

Model No.

BL-5709-08WH4

Item No.

Travelers Rest, SC: 800-476-4103 • Simi Valley, CA: 800-423-0150 • Fax: 864-834-3518 • www.tsbrass.com



This Space for Architect/Engineer Approval

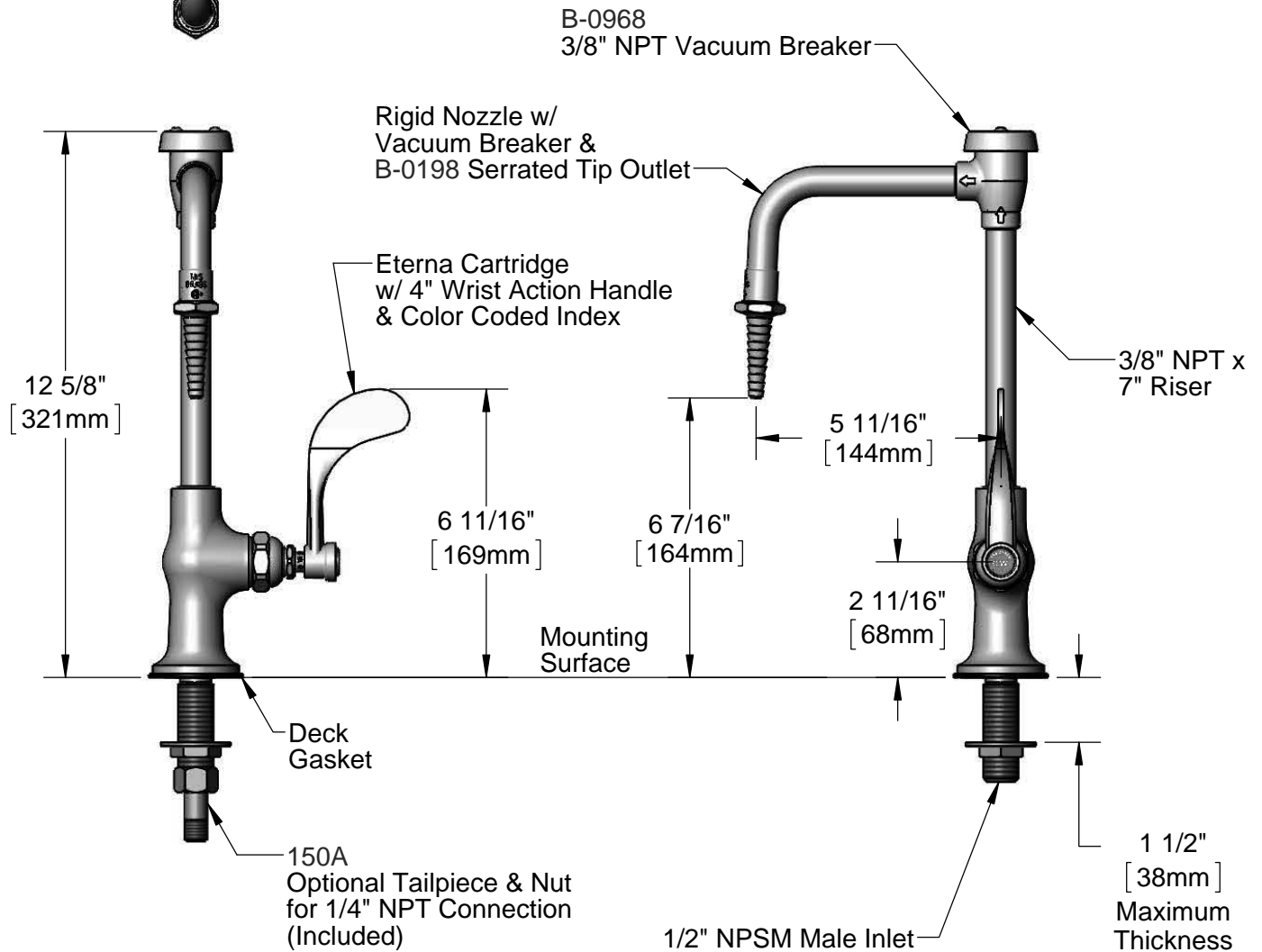
Job Name _____ Date _____

Model Specified _____ Quantity _____

Customer/Wholesaler _____

Contractor _____

Architect/Engineer _____



Rough-In Requirement:
Ø 1" [25mm] Mounting Hole

Product Specifications:
Single Temperature Lab Faucet w/ Rigid Vacuum Breaker Nozzle, 4" Wrist Action Handle, Serrated Tip & 1/2" NPSM Male Inlet

Product Compliance:
ASME A112.18.1 / CSA B125.1
NSF 372 (Low Lead Content)
ANSI A117.1 (ADA)
NSF 61 Exempt (Non-Potable)
ASSE 1001 (VB)



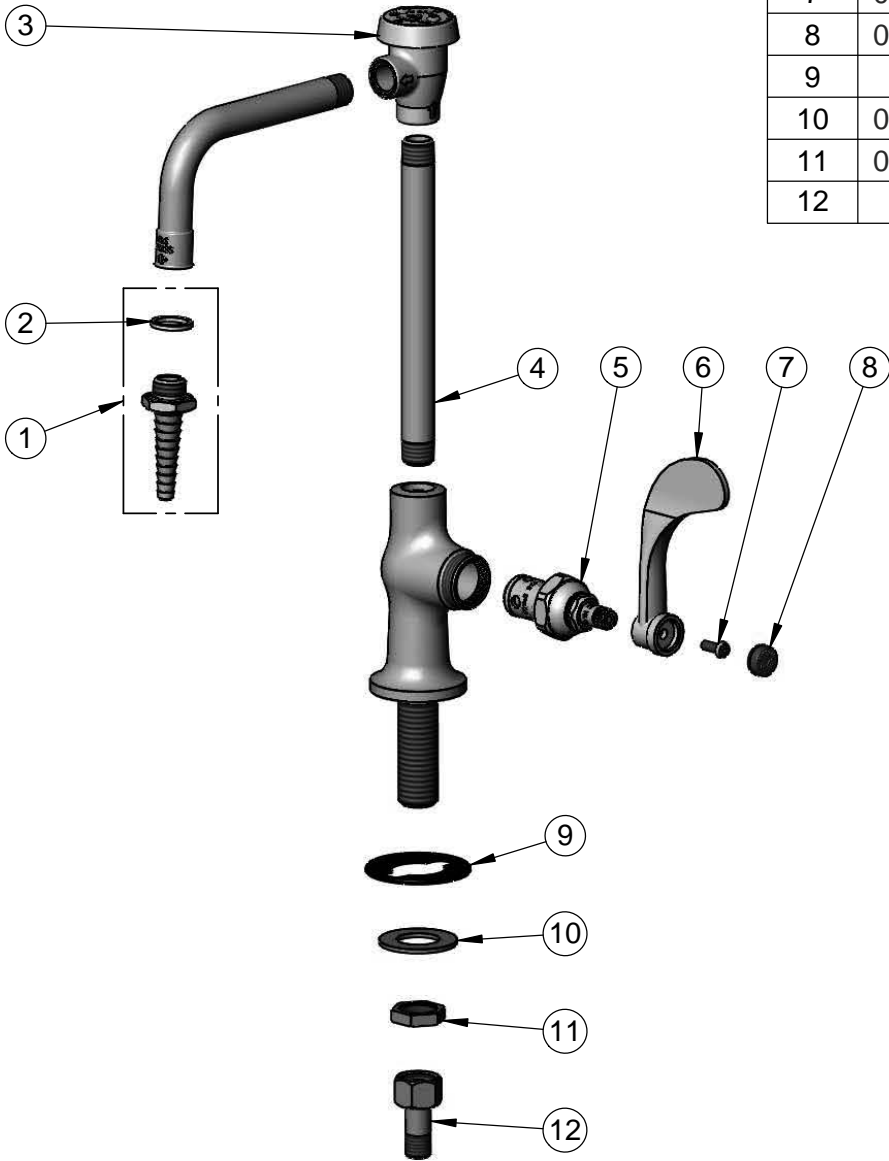
T&S BRASS AND BRONZE WORKS, INC.
 2 Saddleback Cove / P.O. Box 1088
 Travelers Rest, SC 29690

Model No.
BL-5709-08WH4

Item No.

Travelers Rest, SC: 800-476-4103 • Simi Valley, CA: 800-423-0150 • Fax: 864-834-3518 • www.tsbrass.com

ITEM NO.	SALES NO.	DESCRIPTION
1	B-0198	Serrated Tip w/ Washer
2	001051-45	Washer
3	B-0968	3/8" NPT Vacuum Breaker
4	000363-40	Nipple, 3/8" NPT x 7"
5	006010-40	Eterna Cartridge, RTC (Teflon)
6	B-WH4	4" Wrist Action Handle
7	000925-45	Lab Handle Screw
8	001191-45	Green Index - CW
9	144L	Black Plastic Gasket
10	000999-45	Brass Lock Washer
11	002954-45	Shank Lock Nut
12	150A	Bag of (1) Tailpiece & (1) Nut



Product Specifications:

Single Temperature Lab Faucet w/ Rigid Vacuum Breaker Nozzle, 4" Wrist Action Handle, Serrated Tip & 1/2" NPSM Male Inlet

Product Compliance:

ASME A112.18.1 / CSA B125.1
 NSF 372 (Low Lead Content)
 ANSI A117.1 (ADA)
 NSF 61 Exempt (Non-Potable)
 ASSE 1001 (VB)