



T&S BRASS AND BRONZE WORKS, INC.

2 Saddleback Cove / P.O. Box 1088
Travelers Rest, SC 29690

Model No.

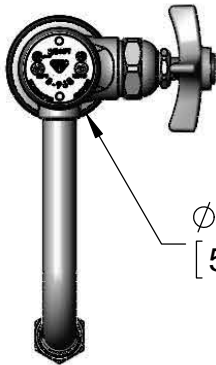
BL-5709-09

Item No.

Travelers Rest, SC: 800-476-4103 • Simi Valley, CA: 800-423-0150 • Fax: 864-834-3518 • www.tsbrass.com



ADA Compliant



Ø 2 3/16"
[56mm]

This Space for Architect/Engineer Approval

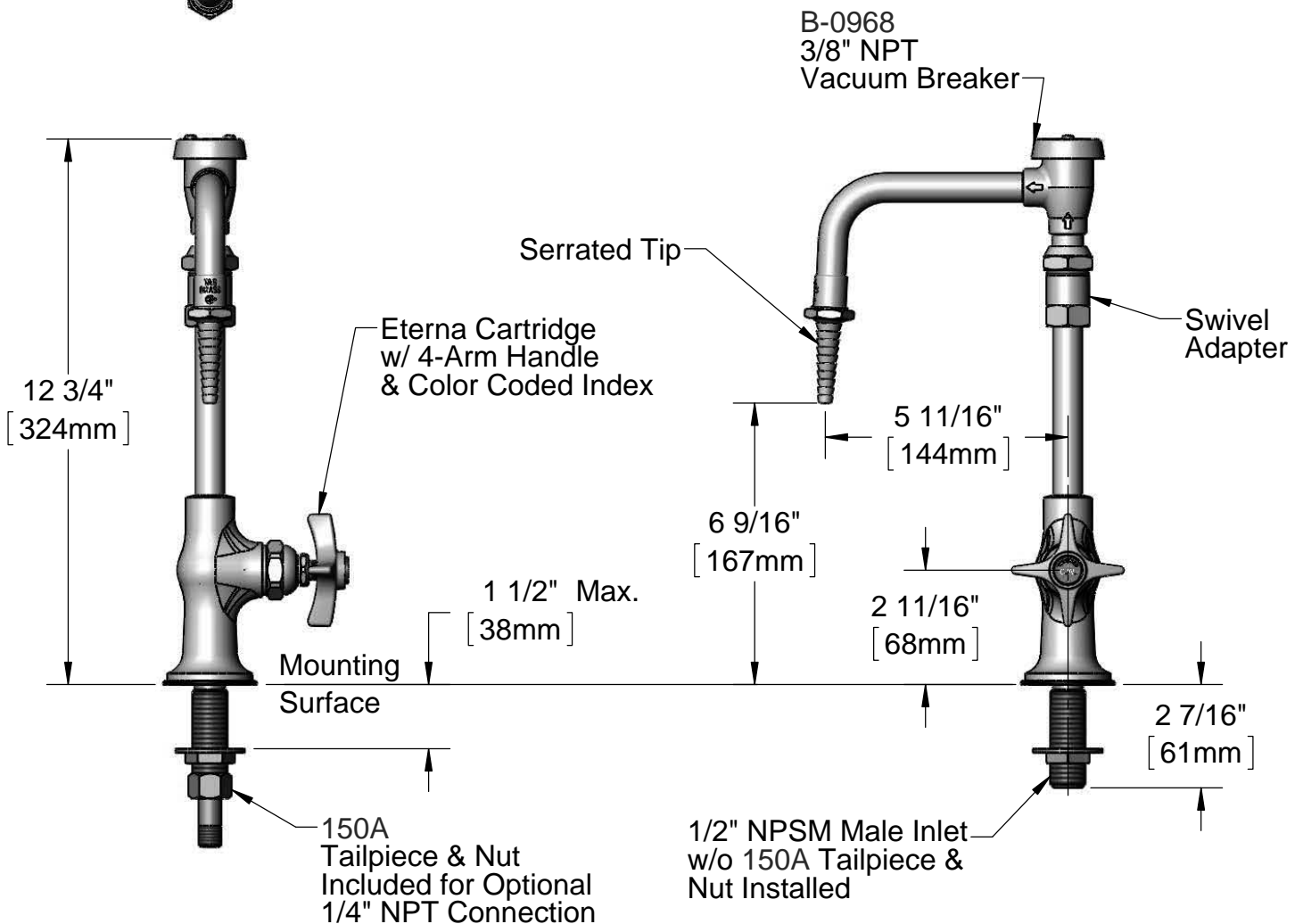
Job Name _____ Date _____

Model Specified _____ Quantity _____

Customer/Wholesaler _____

Contractor _____

Architect/Engineer _____



Rough-in Requirement:
Ø 1" [25mm] Hole

Product Specifications:
Single Temperature Lab Faucet w/ Vacuum Breaker Swivel Nozzle,
Serrated Tip Outlet, 4-Arm Lab Handle & 1/2" NPSM Male Inlet

Drawn DMH	Checked KJG	Approved JHB
Scale: 1:4		Date: 06/28/12



T&S BRASS AND BRONZE WORKS, INC.

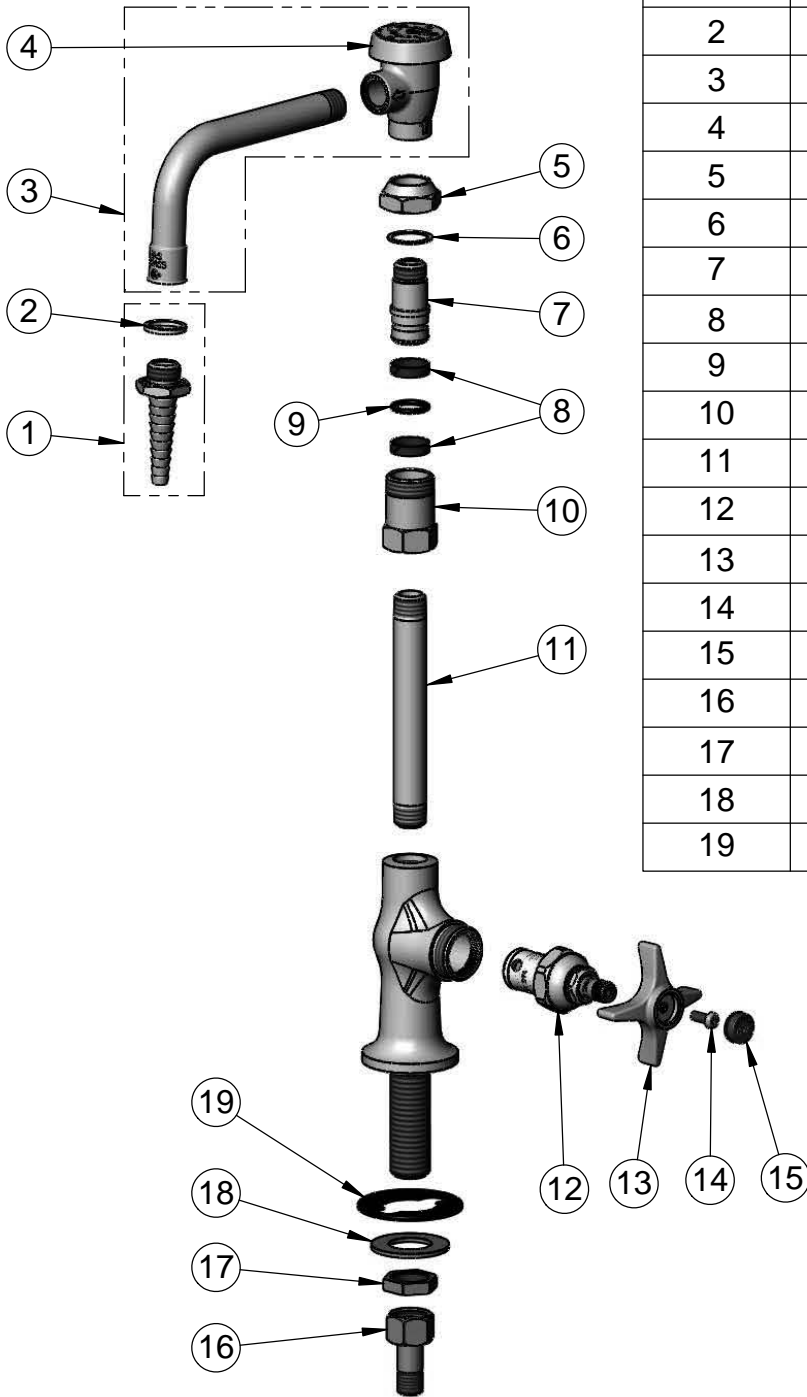
2 Saddleback Cove / P.O. Box 1088
Travelers Rest, SC 29690

Model No.

BL-5709-09

Item No.

Travelers Rest, SC: 800-476-4103 • Simi Valley, CA: 800-423-0150 • Fax: 864-834-3518 • www.tsbrass.com



ITEM NO.	SALES NO.	DESCRIPTION
1	B-0198	Serrated Tip
2	001051-45	Washer
3	007283-40	Vacuum Breaker Nozzle Asm.
4	B-0968	Vacuum Breaker Asm, 3/8"
5	000711-40	Swivel Nut
6	009E	Plastic Washer
7	000843-25	Swivel Body
8	011429-45	Swivel Sleeves (2)
9	001074-45	O-Ring
10	054X	Swivel Body
11	000361-40	Nipple, 3/8 x 5"
12	005960-40	Eterna Cartridge, RTC
13	000059-40	4-Arm Lab Handle
14	000925-45	Lab Handle Screw
15	001191-45	Green CW Snap-In Index
16	150A	Bag of (1) Tailpiece & (1) Nut
17	002954-45	Shank Lock Nut
18	000999-45	Brass Lock Washer
19	144L	Gasket Polypropylene

Product Specifications:

Single Temperature Lab Faucet w/ Vacuum Breaker Swivel Nozzle, Serrated Tip Outlet, 4-Arm Lab Handle & 1/2" NPSM Male Inlet

Drawn

DMH

Checked

KJG

Approved

JHB

Scale:

NTS

Date:

06/28/12