



T&S BRASS AND BRONZE WORKS, INC.
 2 Saddleback Cove / P.O. Box 1088
 Travelers Rest, SC 29690

Model No.
BL-5715-08

Item No.

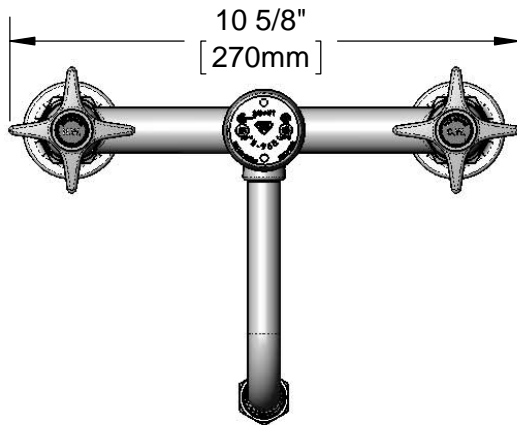
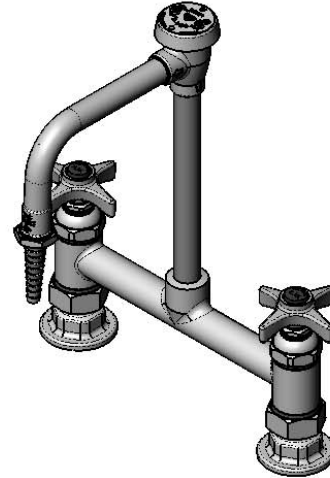
Travelers Rest, SC: 800-476-4103 • Simi Valley, CA: 800-423-0150 • Fax: 864-834-3518 • www.tsbrass.com

This Space for Architect/Engineer Approval

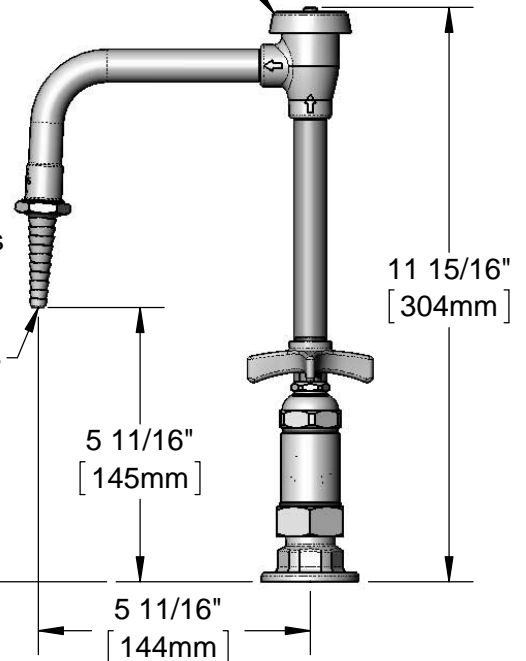
Job Name _____ Date _____
 Model Specified _____ Quantity _____
 Customer/Wholesaler _____
 Contractor _____
 Architect/Engineer _____



ADA Compliant

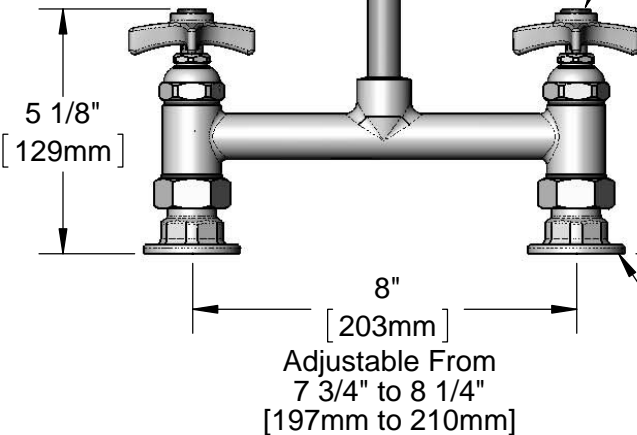


B-0968
 3/8" NPT
 Vacuum
 Breaker



Eterna Cartridges &
 4-Arm Handles w/
 Color Coded Indexes

Serrated Tip
 Outlet Accepts
 1/4" to 3/8" ID Hoses



Mounting Surface

Ø 2" [51mm]
 Flanges w/
 1/2" NPT
 Female Inlets

Adjustable From
 7 3/4" to 8 1/4"
 [197mm to 210mm]

Product Specifications:
 8" Deck Mount Lab Mixing Faucet, Eterna Cartridges, Rigid
 Vacuum Breaker Nozzle w/ Serrated Tip, 4-Arm Handles &
 1/2" NPT Female Inlets

Drawn DHL	Checked DMH	Approved JHB
Scale: 1:4		Date: 11/02/12

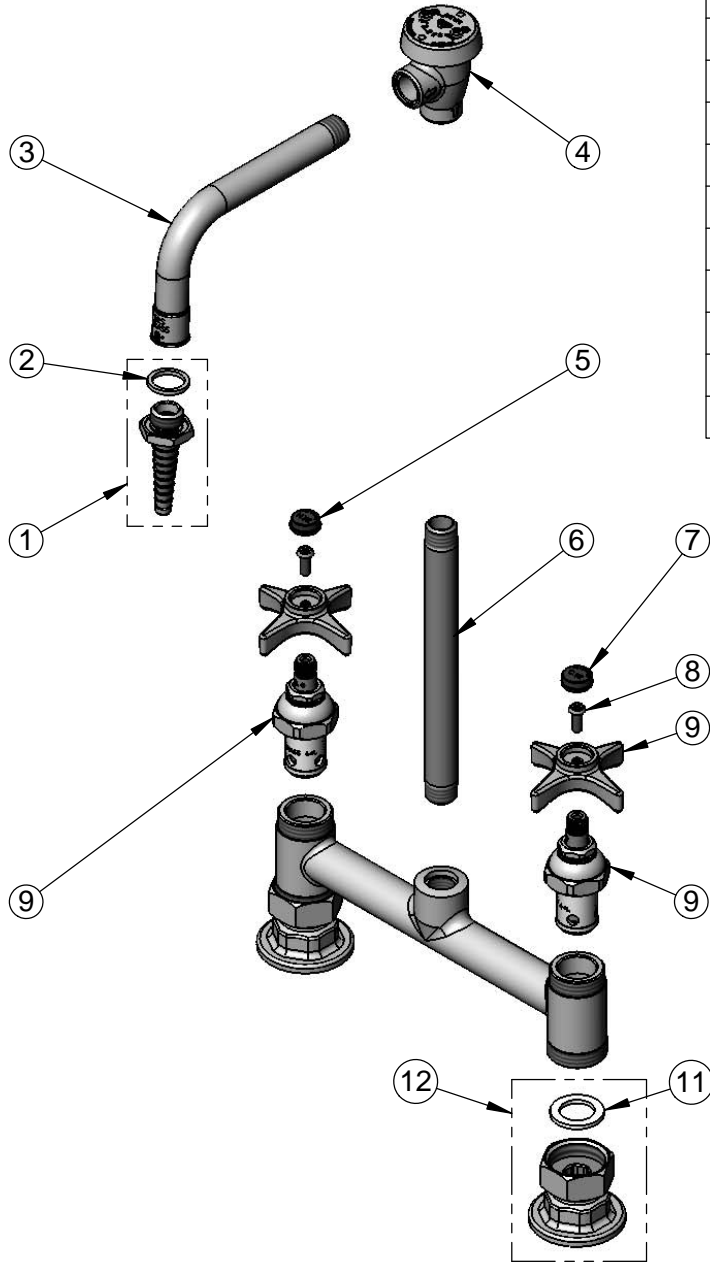


T&S BRASS AND BRONZE WORKS, INC.
 2 Saddleback Cove / P.O. Box 1088
 Travelers Rest, SC 29690

Model No.
BL-5715-08

Item No.

Travelers Rest, SC: 800-476-4103 • Simi Valley, CA: 800-423-0150 • Fax: 864-834-3518 • www.tsbrass.com



ITEM NO.	SALES NO.	DESCRIPTION
1	B-0198	Serrated Tip
2	001051-45	Washer
3	000387-40	Nozzle
4	B-0968	Vacuum Breaker Asm, 3/8"
5	001194-45	Red HW Index
6	000363-40	Nipple, 3/8" NPT x 7"
7	001191-45	Green CW Snap-In Index
8	000925-45	Lab Handle Screw
9	000059-40	4-Arm Lab Handle
10	005960-40	Eterna Cartridge, RTC
11	001019-45	Coupling Nut Washer
12	00AA	1/2" Female Eccentric Flange

Product Specifications:
 8" Deck Mount Lab Mixing Faucet, Eterna Cartridges, Rigid Vacuum Breaker Nozzle w/ Serrated Tip, 4-Arm Handles & 1/2" NPT Female Inlets

Drawn DHL	Checked DMH	Approved JHB
Scale: NTS		Date: 11/02/12