

T&S BRASS AND BRONZE WORKS, INC.

2 SADDLEBACK COVE / P.O. BOX 1088 / TRAVELERS REST, SC 29690

PHONE 800-476-4103 - FAX 864- 834-3518



REG.#A2601
ISO #9001

Model No.

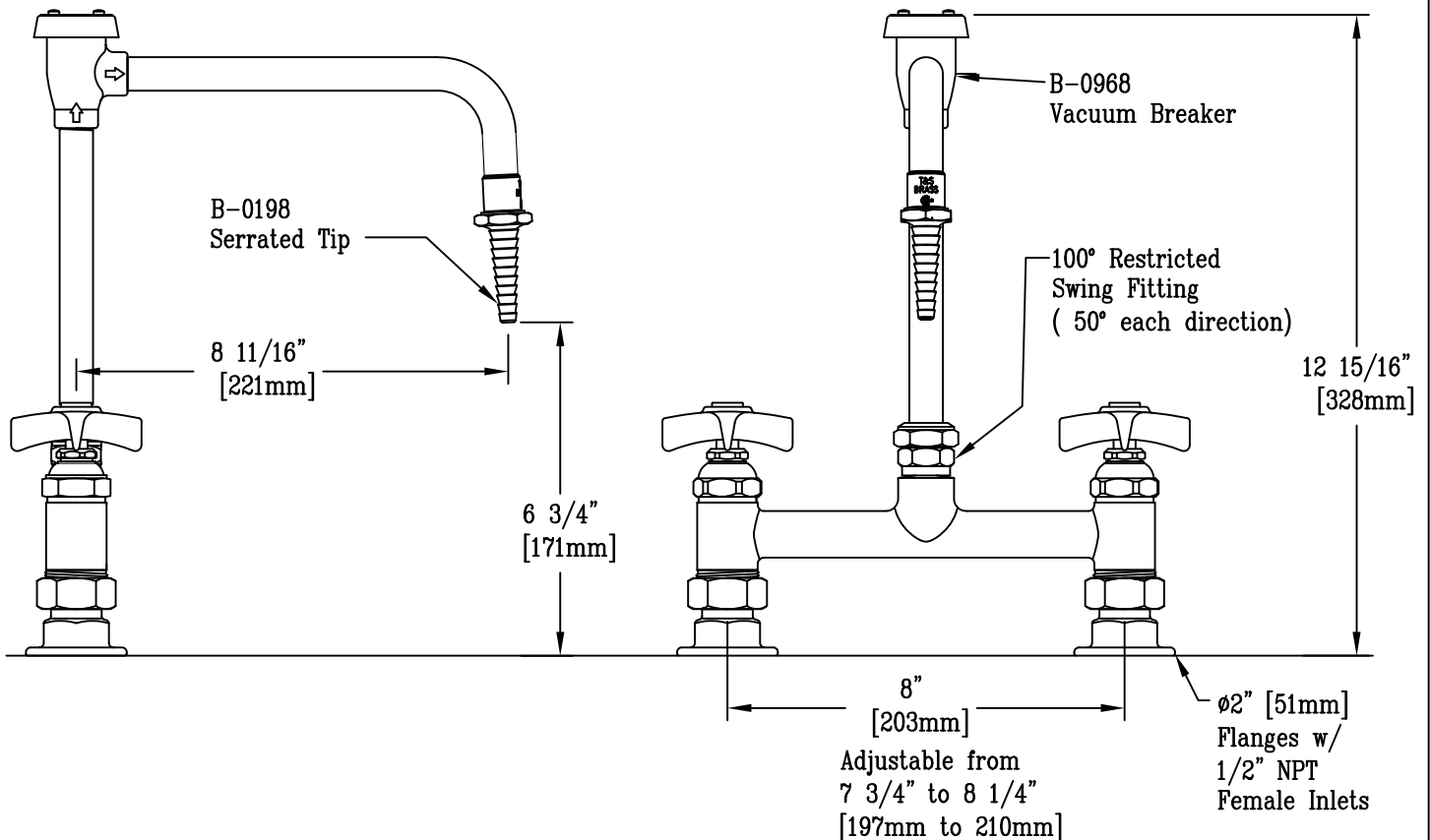
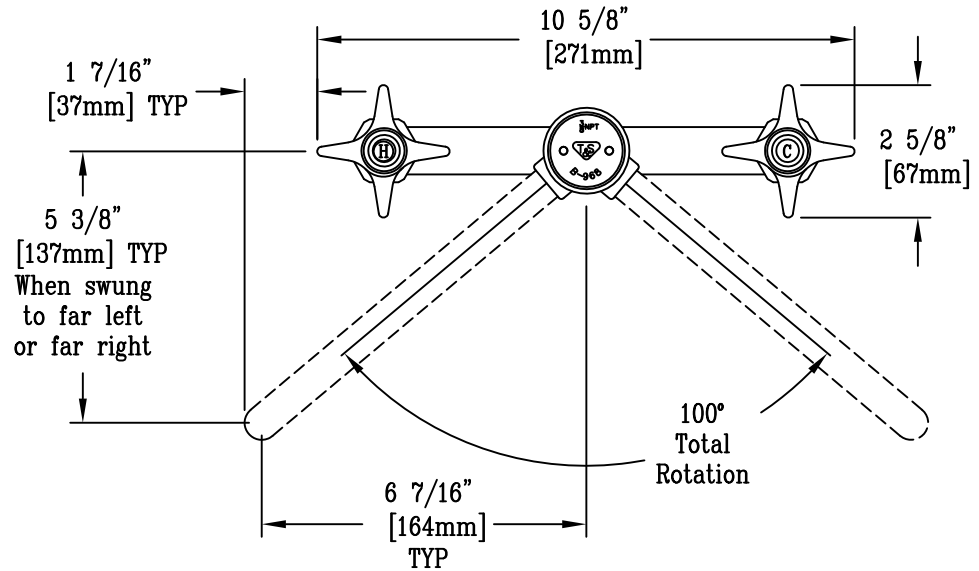
BL-5715-10

**RELIABILITY
BUILT IN**

Job Name:

Architect/Engineer Approval:

Notes:



Product Description:
100° Rotation Restricted Vacuum Breaker Swing Nozzle w/
Serrated Tip Outlet, 1/2" NPT Female Inlets, & 4-Arm Handles

Drawn: KJG	Checked JRM	Scale: 1 : 4
Approved JHB	Date: 04/05/11	