



T&S BRASS AND BRONZE WORKS, INC.

2 Saddleback Cove / P.O. Box 1088
Travelers Rest, SC 29690

Model No.

BL-5725-08

Item No.

Travelers Rest, SC: 800-476-4103 • Simi Valley, CA: 800-423-0150 • Fax: 864-834-3518 • www.tsbrass.com

This Space for Architect/Engineer Approval

Job Name _____ Date _____

Model Specified _____ Quantity _____

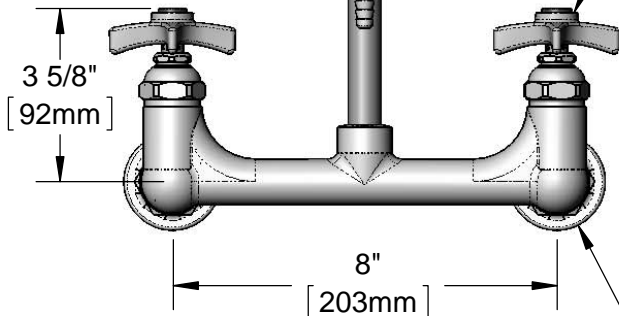
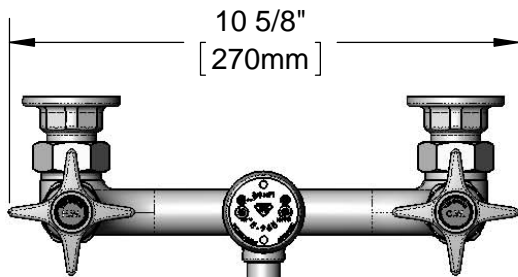
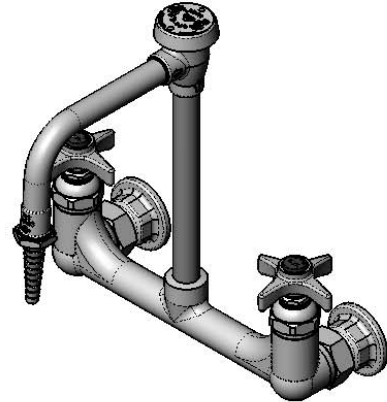
Customer/Wholesaler _____

Contractor _____

Architect/Engineer _____



ADA Compliant



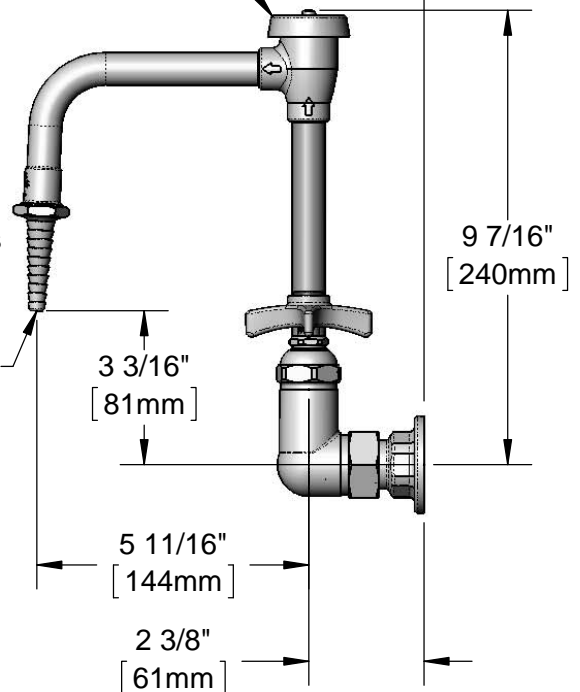
Eterna Cartridges & 4-Arm Handles w/ Color Coded Indexes

Serrated Tip Outlet Accepts 1/4" to 3/8" ID Hoses

Ø 2" [51mm] Flanges w/ 1/2" NPT Female Inlets

Mounting Surface →

B-0968
3/8" NPT
Vacuum
Breaker



Product Specifications:

8" Wall Mount Lab Mixing Faucet, Eterna Cartridges, Rigid Vacuum Breaker Nozzle w/ Serrated Tip, 4-Arm Handles & 1/2" NPT Female Inlets

Drawn

DHL

Checked

DMH

Approved

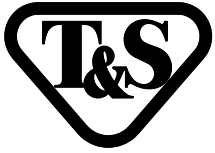
JHB

Scale:

1:4

Date:

11/02/12



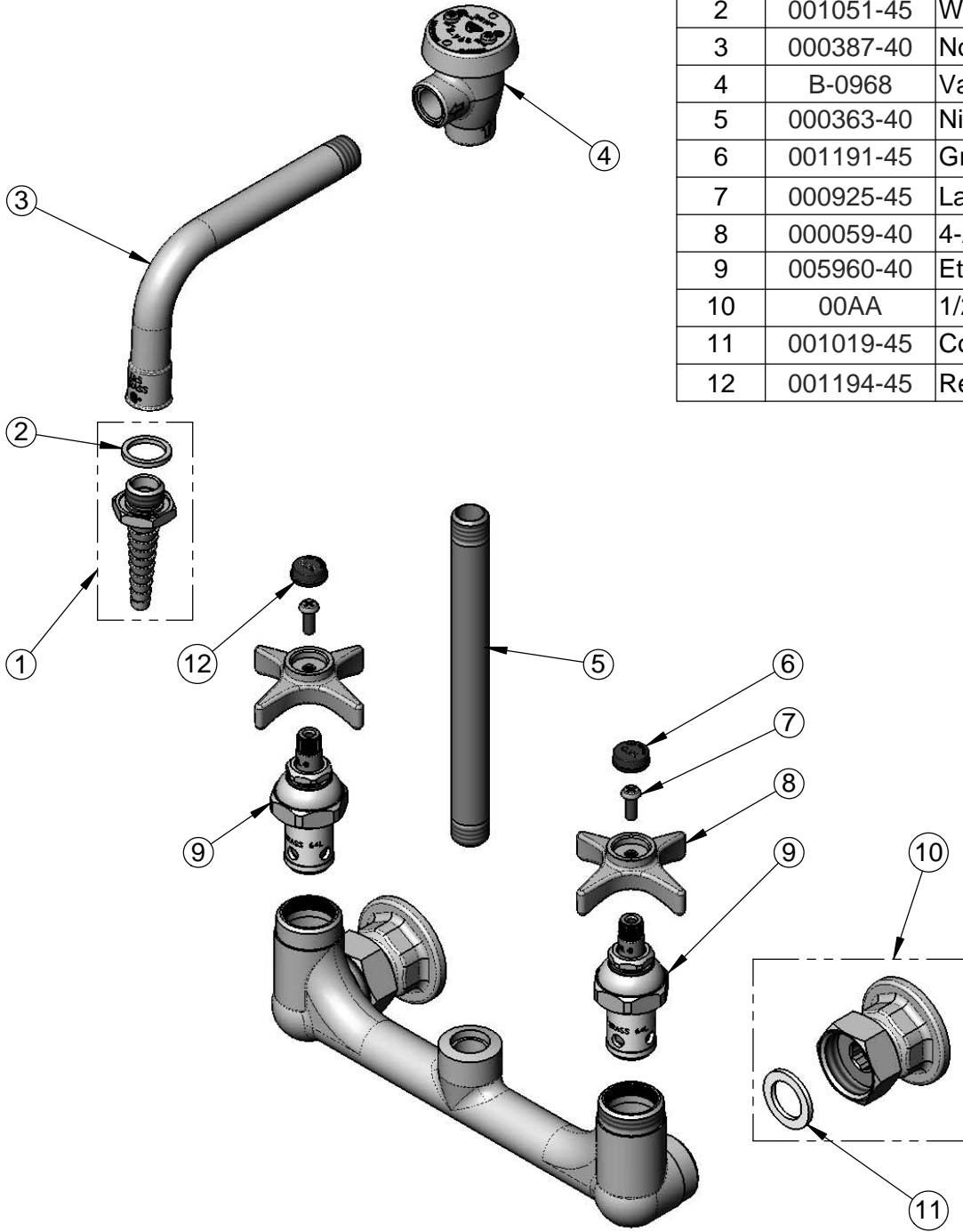
T&S BRASS AND BRONZE WORKS, INC.
 2 Saddleback Cove / P.O. Box 1088
 Travelers Rest, SC 29690

Model No.
BL-5725-08

Item No.

Travelers Rest, SC: 800-476-4103 • Simi Valley, CA: 800-423-0150 • Fax: 864-834-3518 • www.tsbrass.com

ITEM NO.	SALES NO.	DESCRIPTION
1	B-0198	Serrated Tip
2	001051-45	Washer
3	000387-40	Nozzle
4	B-0968	Vacuum Breaker Asm, 3/8"
5	000363-40	Nipple, 3/8" NPT x 7"
6	001191-45	Green CW Snap-In Index
7	000925-45	Lab Handle Screw
8	000059-40	4-Arm Lab Handle
9	005960-40	Eterna Cartridge, RTC
10	00AA	1/2" Female Eccentric Flange
11	001019-45	Coupling Nut Washer
12	001194-45	Red HW Index



Product Specifications:
 8" Wall Mount Lab Mixing Faucet, Eterna Cartridges, Rigid Vacuum Breaker Nozzle w/ Serrated Tip, 4-Arm Handles & 1/2" NPT Female Inlets

Drawn DHL	Checked DMH	Approved JHB
Scale: NTS		Date: 11/02/12