



T&S BRASS AND BRONZE WORKS, INC.

2 Saddleback Cove / P.O. Box 1088
Travelers Rest, SC 29690

Model No.

BL-5775-08

Item No.

Travelers Rest, SC: 800-476-4103 • Simi Valley, CA: 800-423-0150 • Fax: 864-834-3518 • www.tsbrass.com

This Space for Architect/Engineer Approval

Job Name _____ Date _____

Model Specified _____ Quantity _____

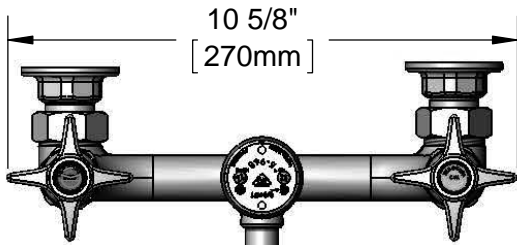
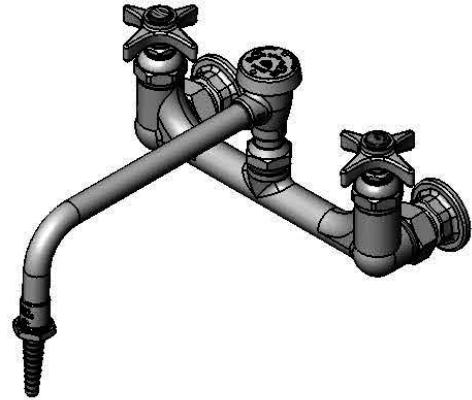
Customer/Wholesaler _____

Contractor _____

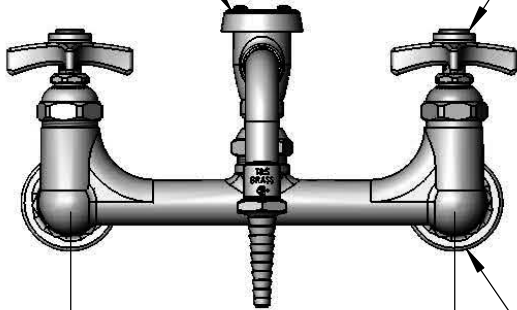
Architect/Engineer _____



ADA Compliant

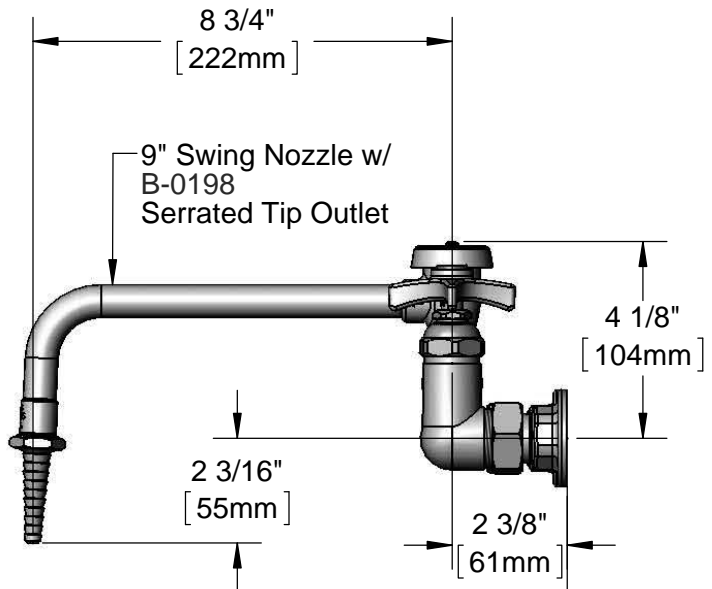


B-0968
3/8" NPT
Vacuum Breaker



8" [203mm]
Adjustable From
7 3/4" to 8 1/4"
[197mm to 210mm]

Eterna Cartridges &
4-Arm Handles w/
Color Coded Indexes



Ø 2" [51mm]
Flanges w/
1/2" NPT
Female Inlets

Mounting Surface

Product Specifications:

8" Wall Mount Mixing Faucet, Eterna Cartridges, 9" Swing Nozzle w/ Serrated Tip, Vacuum Breaker, 4-Arm Handles & 1/2" NPT Female Inlets

Drawn

DHL

Checked

DMH

Approved

JHB

Scale:

1:4

Date:

05/21/12

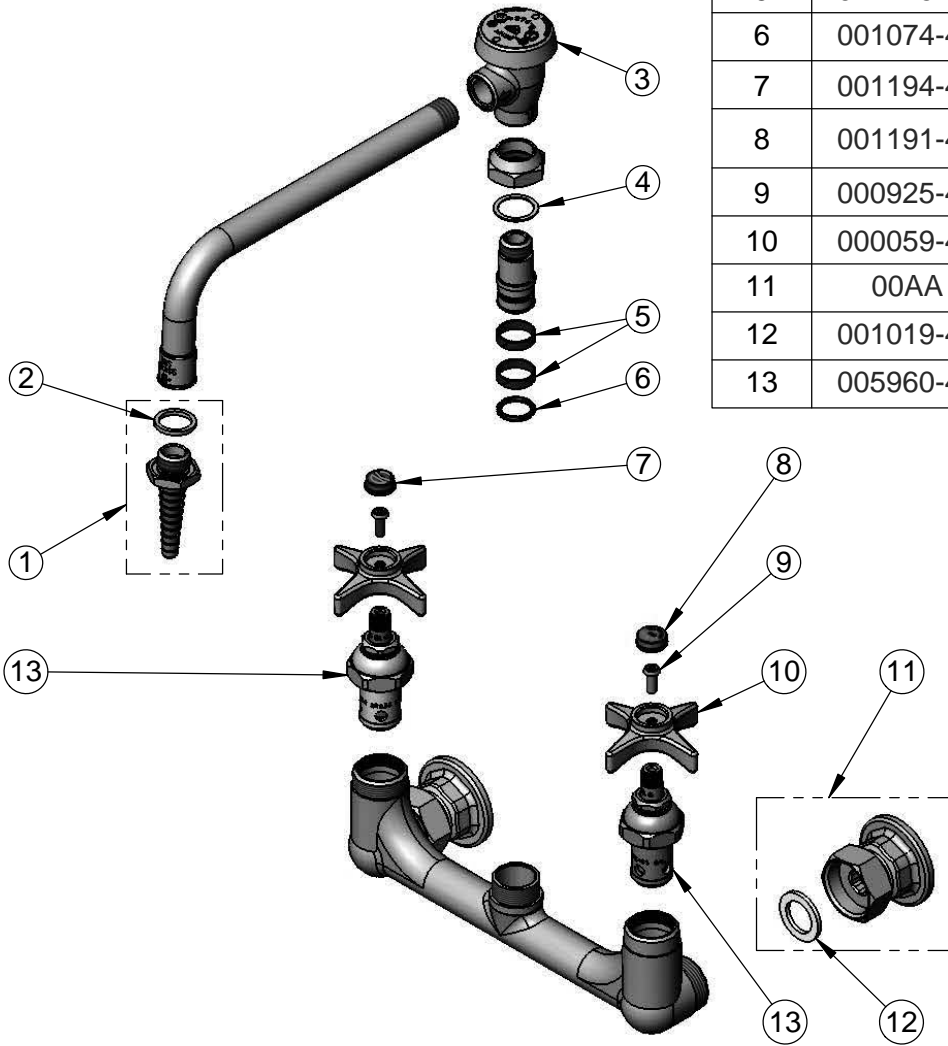


T&S BRASS AND BRONZE WORKS, INC.
 2 Saddleback Cove / P.O. Box 1088
 Travelers Rest, SC 29690

Model No.
BL-5775-08
 Item No.

Travelers Rest, SC: 800-476-4103 • Simi Valley, CA: 800-423-0150 • Fax: 864-834-3518 • www.tsbrass.com

ITEM NO.	SALES NO.	DESCRIPTION
1	B-0198	Serrated Tip
2	001051-45	Washer
3	B-0968	3/8" NPT Vacuum Breaker
4	009E	Plastic Washer
5	011429-45	Swivel Sleeves (2)
6	001074-45	O-Ring
7	001194-45	Red HW Index
8	001191-45	Green CW Index
9	000925-45	Lab Handle Screw
10	000059-40	4-Arm Lab Handle
11	00AA	Flange Assembly
12	001019-45	Coupling Nut Washer
13	005960-40	Eterna Cartridge, RTC



Product Specifications:
 8" Wall Mount Mixing Faucet, Eterna Cartridges, 9" Swing Nozzle
 w/ Serrated Tip, Vacuum Breaker, 4-Arm Handles & 1/2" NPT
 Female Inlets

Drawn DHL	Checked DMH	Approved JHB
Scale: NTS		Date: 05/21/12