



T&S BRASS AND BRONZE WORKS, INC.

2 Saddleback Cove / P.O. Box 1088
Travelers Rest, SC 29690

Model No.

BL-5850-01TL-CW

Item No.

Travelers Rest, SC: 800-476-4103 • Simi Valley, CA: 800-423-0150 • Fax: 864-834-3518 • www.tsbrass.com

This Space for Architect/Engineer Approval

Job Name _____ Date _____

Model Specified _____ Quantity _____

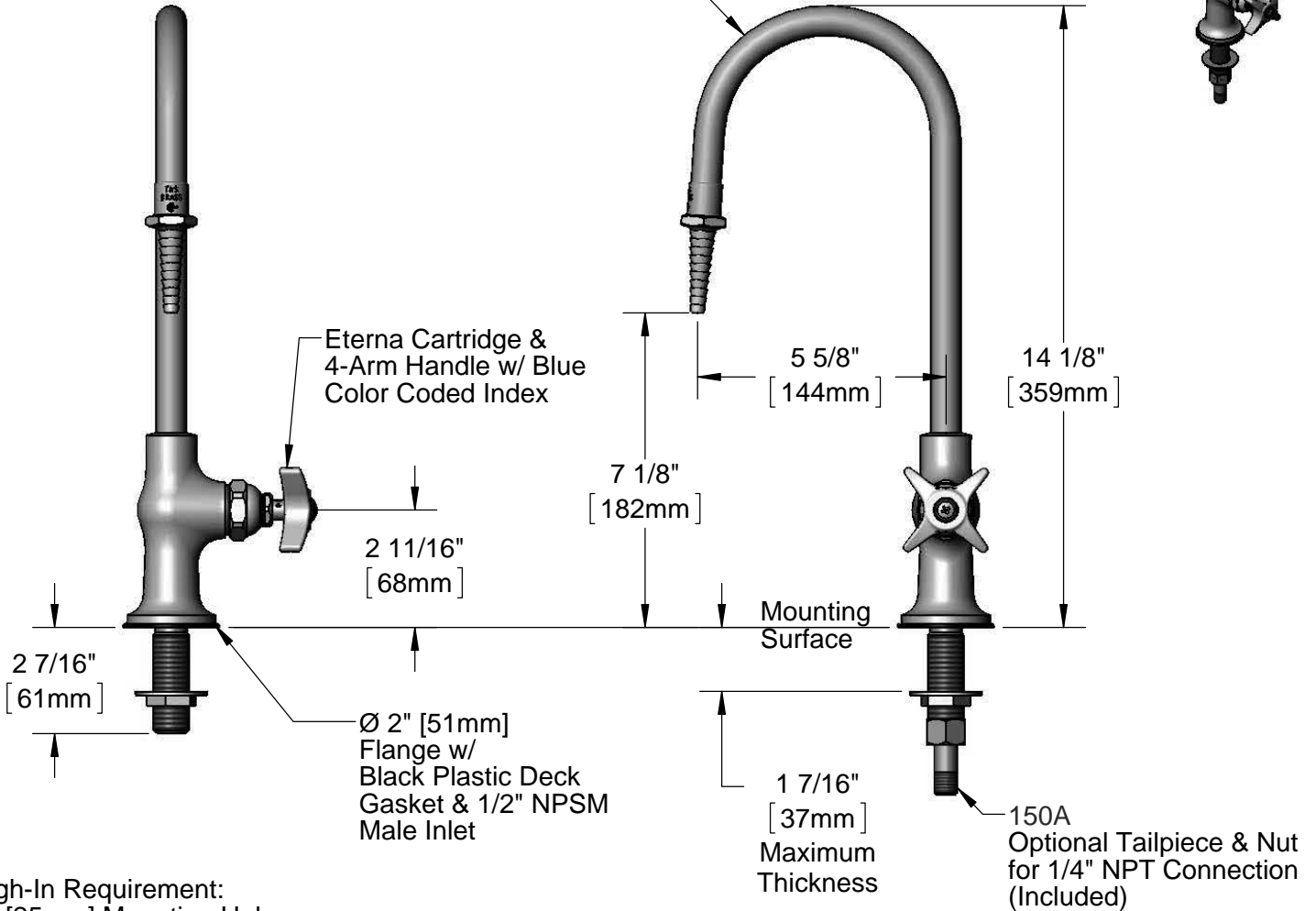
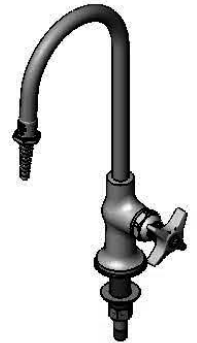
Customer/Wholesaler _____

Contractor _____

Architect/Engineer _____



Rigid Gooseneck w/
B-0198
Serrated Tip Outlet



Rough-In Requirement:
Ø 1" [25mm] Mounting Hole

Product Specifications:

Single Hole Single Temperature Tin-Lined Laboratory Faucet, Eterna Cartridge, 4-Arm Handle, Rigid Gooseneck, Serrated Tip & 1/2" NPSM Male Inlet

Product Compliance:

ASME A112.18.1 / CSA B125.1



T&S BRASS AND BRONZE WORKS, INC.

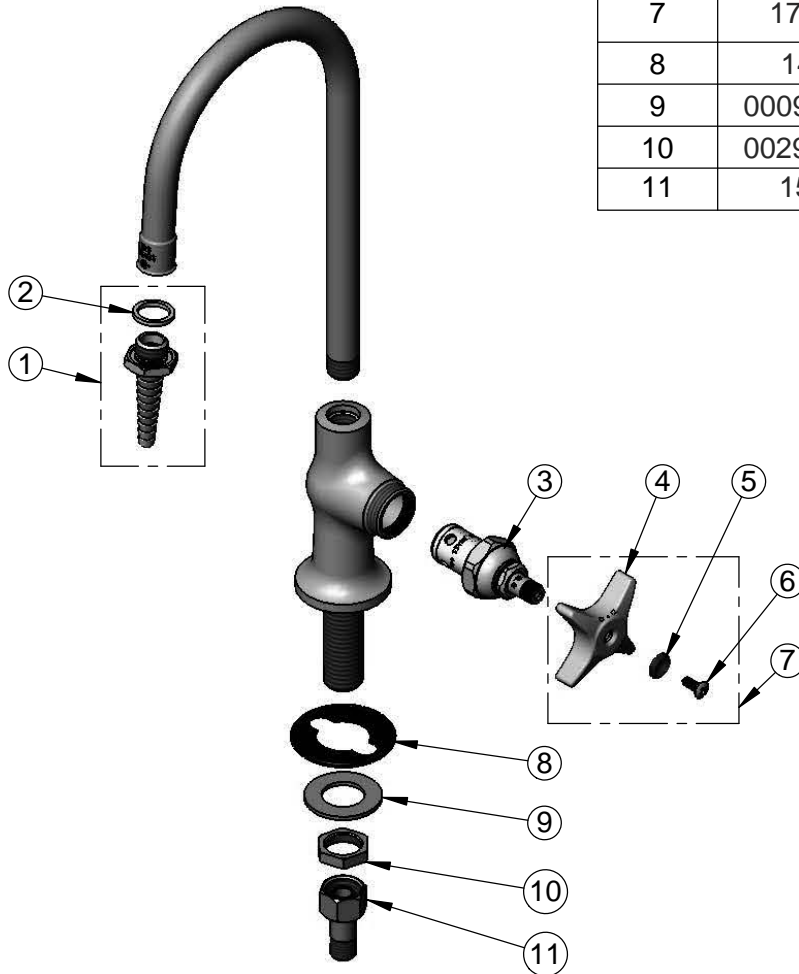
2 Saddleback Cove / P.O. Box 1088
Travelers Rest, SC 29690

Model No.
BL-5850-01TL-CW

Item No.

Travelers Rest, SC: 800-476-4103 • Simi Valley, CA: 800-423-0150 • Fax: 864-834-3518 • www.tsbrass.com

ITEM NO.	SALES NO.	DESCRIPTION
1	B-0198	Serrated Tip Outlet, 3/8" NPT Male
2	001051-45	Washer
3	005960-40	Eterna Cartridge, RTC
4	002521-45	4-Arm Handle
5	001660-45	Blue Index-CW
6	000922-45	Lever Handle Screw
7	175FC	4-Arm Handle w/ Cold Index & Screw
8	144L	Black Plastic Deck Gasket
9	000999-45	Brass Lock Washer
10	002954-45	Shank Lock Nut
11	150A	1/4" NPT Tailpiece & Nut



Product Specifications:

Single Hole Single Temperature Tin-Lined Laboratory Faucet, Eterna Cartridge, 4-Arm Handle, Rigid Gooseneck, Serrated Tip & 1/2" NPSM Male Inlet

Product Compliance:

ASME A112.18.1 / CSA B125.1