



T&S BRASS AND BRONZE WORKS, INC.

2 Saddleback Cove / P.O. Box 1088
Travelers Rest, SC 29690

Model No.

BL-6005-01

Item No.

Travelers Rest, SC: 800-476-4103 • Simi Valley, CA: 800-423-0150 • Fax: 864-834-3518 • www.tsbrass.com

This Space for Architect/Engineer Approval

Job Name _____ Date _____

Model Specified _____ Quantity _____

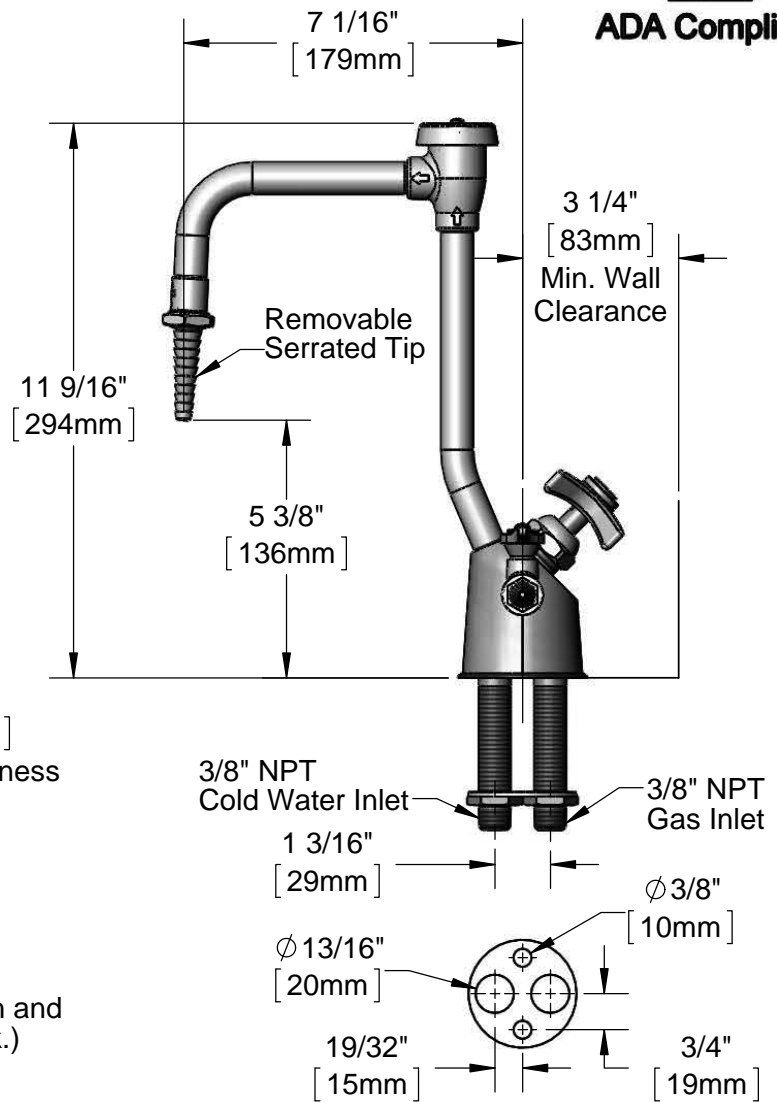
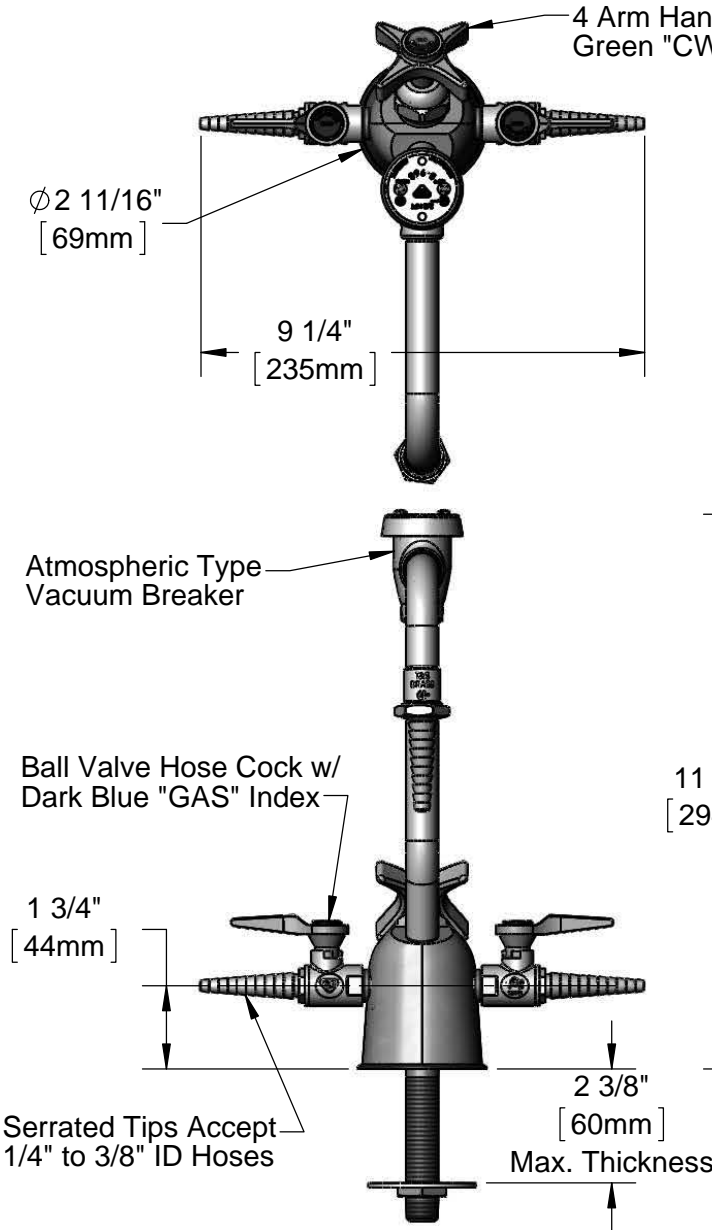
Customer/Wholesaler _____

Contractor _____

Architect/Engineer _____



ADA Compliant



Mounting Washer / Rough-In Detail

NOTES:

1. Natural Gas Pressure: 0.5 PSIG Max.
(For Natural Gas above 0.5 PSIG or Oxygen and
Specialty Gases, use BL-4010-01 Gas Cock.)
2. Certified to ANSI Z21.15a / CSA 9.1a

Product Specifications:

Combination Gas & Water Fixture w/ (2) Ball Valve Gas Cocks,
Vacuum Breaker, 7" Rigid Nozzle w/ Serrated Tip &
3/8" NPT Male Inlets

Drawn DMH	Checked JRM	Approved JHB
Scale: 1:4		Date: 05/21/12

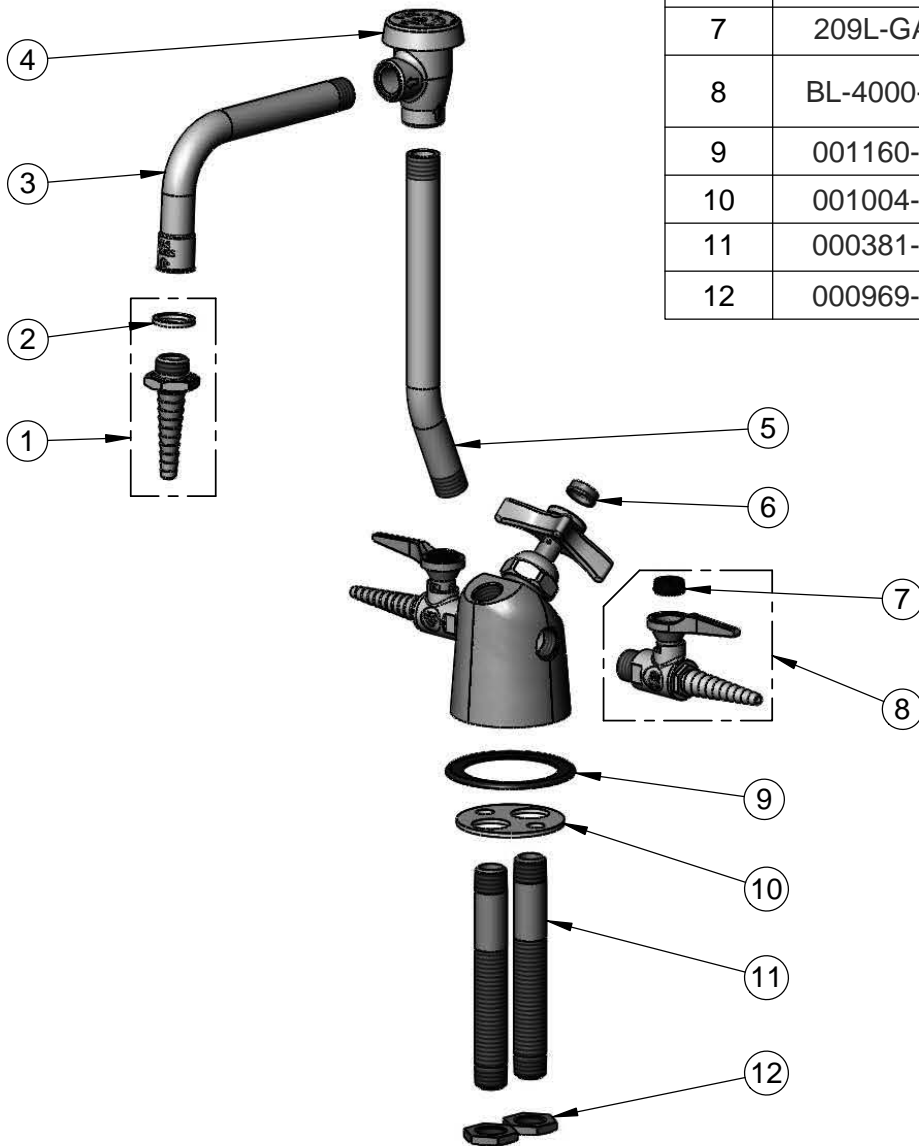


T&S BRASS AND BRONZE WORKS, INC.
 2 Saddleback Cove / P.O. Box 1088
 Travelers Rest, SC 29690

Model No.
BL-6005-01
 Item No.

Travelers Rest, SC: 800-476-4103 • Simi Valley, CA: 800-423-0150 • Fax: 864-834-3518 • www.tsbrass.com

ITEM NO.	SALES NO.	DESCRIPTION
1	B-0198	Serrated Tip
2	001051-45	Washer
3	000387-40	Nozzle
4	B-0968	Vacuum Breaker Assembly, 3/8"
5	001522-40	Riser, BL-6005-01, 7"
6	001191-45	Green CW Index
7	209L-GAS	Cap, Index, Blue, Gas
8	BL-4000-01	Ball Valve Hose Cock w/ GAS, AIR & VAC Indexes
9	001160-45	Gasket, BL-6000
10	001004-45	Washer, Turret BL-6000, Brass
11	000381-20	Nipple, Supply, 3/8" Pipe, Brass
12	000969-45	Nut, Lock, 3/8" NPSL, Brass



Product Specifications:
 Combination Gas & Water Fixture w/ (2) Ball Valve Gas Cocks,
 Vacuum Breaker, 7" Rigid Nozzle w/ Serrated Tip &
 3/8" NPT Male Inlets

Drawn DMH	Checked JRM	Approved JHB
Scale: NTS		Date: 05/21/12