



T&S BRASS AND BRONZE WORKS, INC.

2 Saddleback Cove / P.O. Box 1088
Travelers Rest, SC 29690



REG. #A2601
ISO #9001

Model No.
BL-6050-07

Item No.

Travelers Rest, SC: 800-476-4103 Simi Valley, CA: 800-423-0150 Fax: 864-834-3518 www.tsbrass.com

This Space for Architect/Engineer Approval

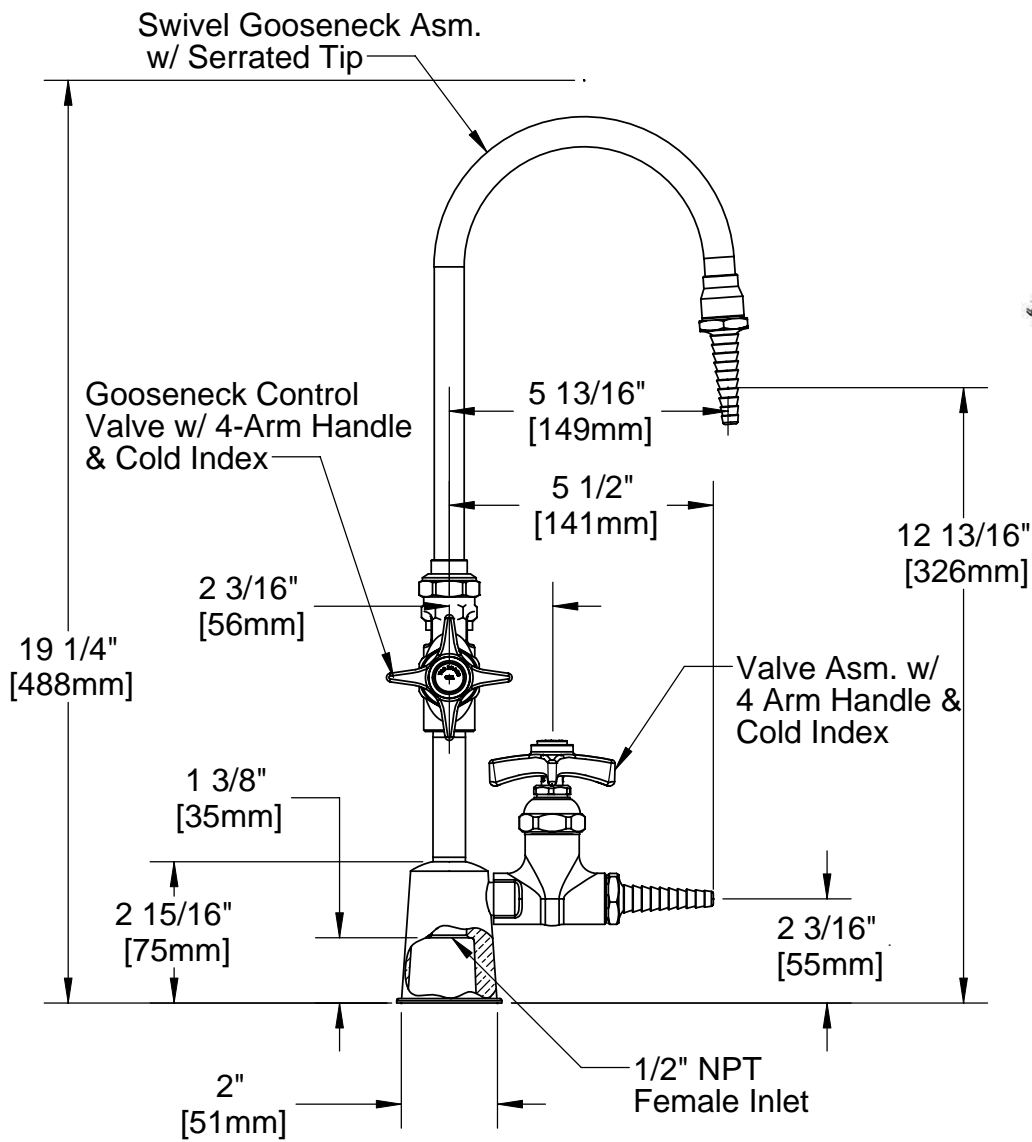
Job Name _____ Date _____

Model Specified _____ Quantity _____

Customer/Wholesaler _____

Contractor _____

Architect/Engineer _____



Product Specifications:

Multi-Water Fixture w/ Swivel Gooseneck,
Water Stop & Serrated Tips

Drawn
ARH

Checked
DHL

Approved
JHB

Scale:

1:4

Date:

06/19/08



T&S BRASS AND BRONZE WORKS, INC.

2 Saddleback Cove / P.O. Box 1088
Travelers Rest, SC 29690



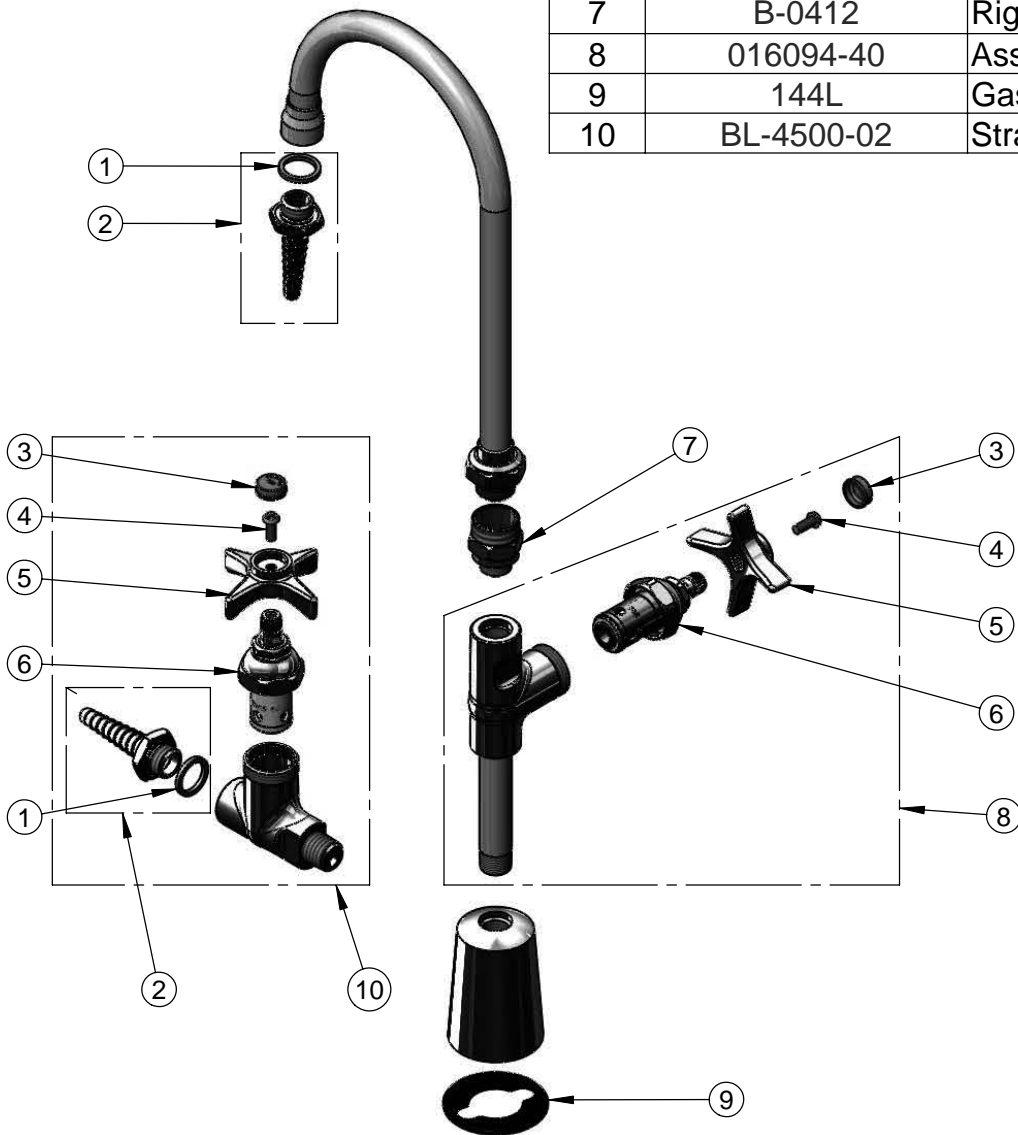
REG. #A2601
ISO #9001

Model No.
BL-6050-07

Item No.

Travelers Rest, SC: 800-476-4103 Simi Valley, CA: 800-423-0150 Fax: 864-834-3518 www.tsbrass.com

ITEM NO.	SALES NO.	DESCRIPTION
1	001051-45	Washer, 7/8" OD X 11/16 ID X 3/32 Thick
2	B-0198	Hose End, Serrated, Brass, PLTD
3	001191-45	Cap, Index, Green, Cold Water
4	000925-45	Lab Handle Screw
5	000059-40	4-Arm Lab Handle
6	005960-40	Spindle Asm, Eterna "Hot"
7	B-0412	Rigid to Swivel Adapter
8	016094-40	Assembly, Straight Stop, (LAB.)
9	144L	Gasket Polypropylene
10	BL-4500-02	Straight Stop, Water



Product Specifications:

Multi-Water Fixture w/ Swivel Gooseneck,
Water Stop & Serrated Tips

Drawn ARH	Checked DHL	Approved JHB
Scale: 1:4		Date: 06/19/08