



**T&S BRASS AND BRONZE WORKS, INC.**  
 2 Saddleback Cove / P.O. Box 1088  
 Travelers Rest, SC 29690

Model No.  
**EB-0107-JSW-40H**

Item No.

Travelers Rest, SC: 800-476-4103 • Simi Valley, CA: 800-423-0150 • Fax: 864-834-3518 • www.tsbrass.com

This Space for Architect/Engineer Approval

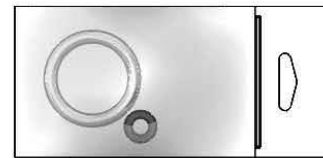
Job Name \_\_\_\_\_ Date \_\_\_\_\_

Model Specified \_\_\_\_\_ Quantity \_\_\_\_\_

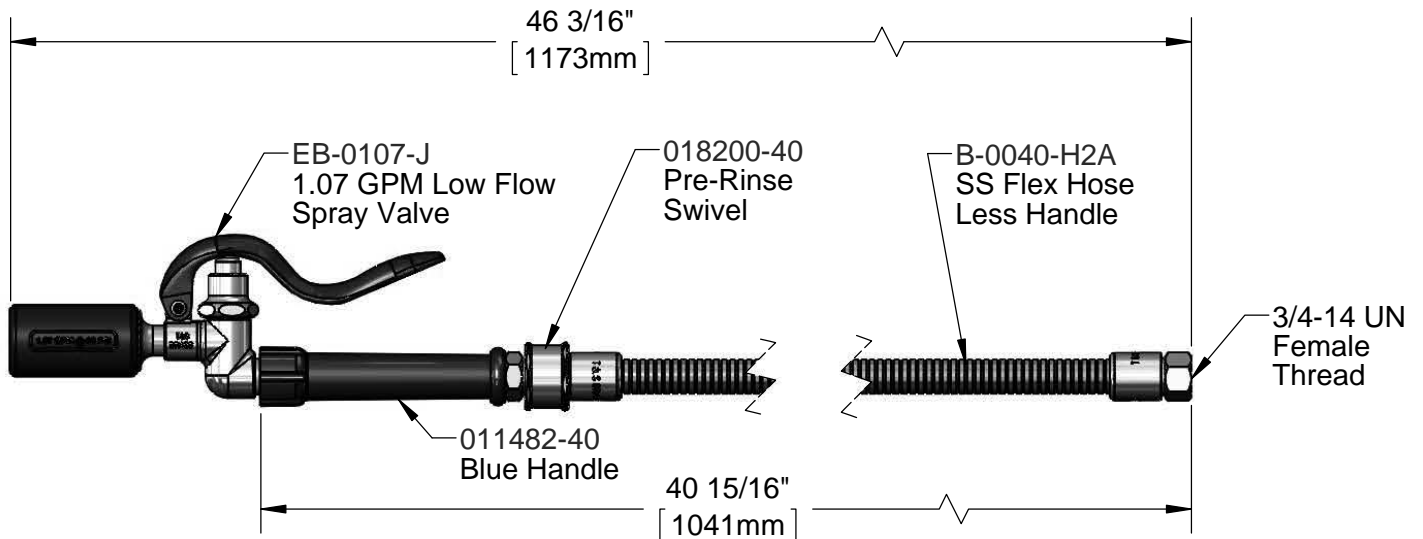
Customer/Wholesaler \_\_\_\_\_

Contractor \_\_\_\_\_

Architect/Engineer \_\_\_\_\_



Hold Down Ring w/  
 Hose Washer  
 (Included)



Product Specifications:  
 Pre-Rinse Unit Accessory:  
 Blue 1.07 GPM Low Flow Spray Valve  
 w/ 40" Flexible Stainless Steel Hose & Swivel

Drawn <b>JRM</b>	Checked <b>DMH</b>	Approved <b>JHB</b>
Scale: <b>1:4</b>		Date: <b>01/28/14</b>



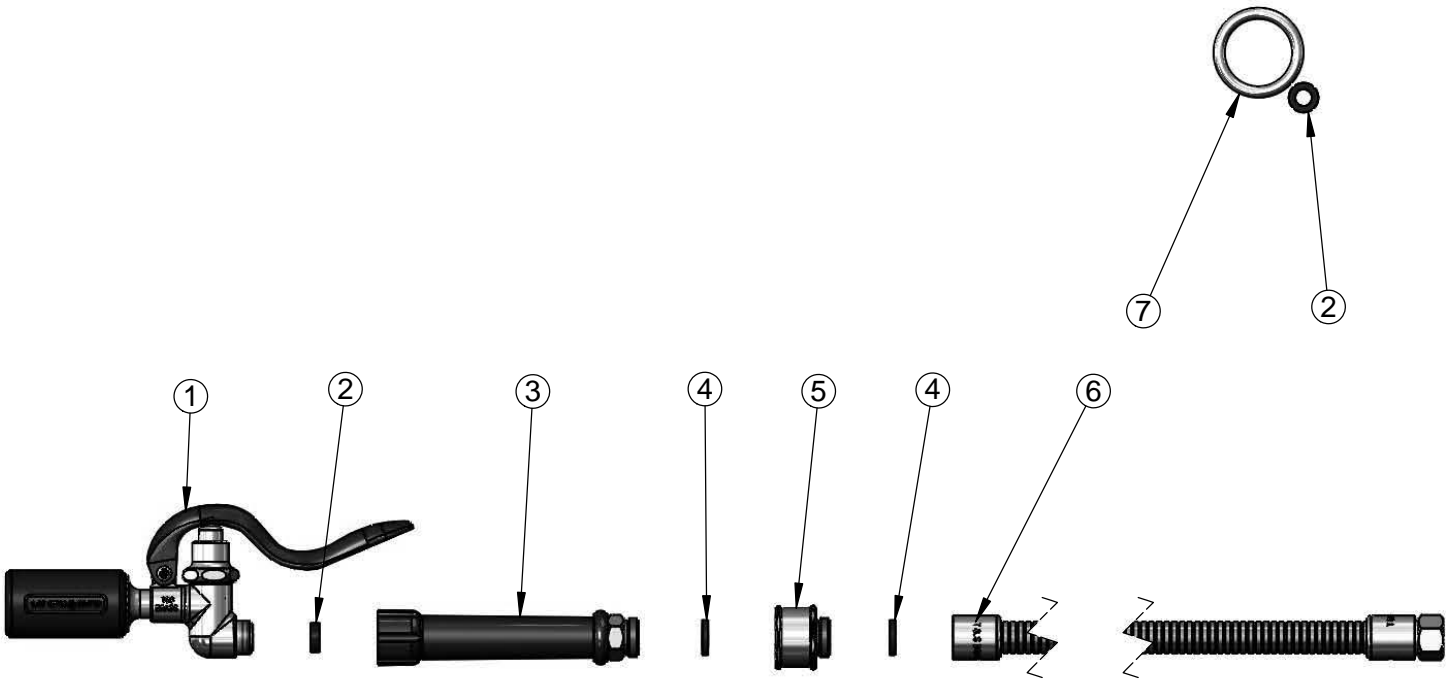
**T&S BRASS AND BRONZE WORKS, INC.**  
 2 Saddleback Cove / P.O. Box 1088  
 Travelers Rest, SC 29690

Model No.  
**EB-0107-JSW-40H**

Item No.

Travelers Rest, SC: 800-476-4103 • Simi Valley, CA: 800-423-0150 • Fax: 864-834-3518 • www.tsbrass.com

ITEM NO.	SALES NO.	DESCRIPTION
1	EB-0107-J	1.07 GPM Spray Valve w/ Hold Down Ring & Washer
2	010476-45	#27 Washer
3	011482-40	Blue Grip Handle
4	001014-45	Washer, B-0100 Hose Barrel
5	018200-40	Pre-Rinse Swivel
6	B-0040-H2A	40" Flexible Stainless Steel Hose, Less Handle
7	000907-45	Spray Valve Hold Down Ring



Product Specifications:  
 Pre-Rinse Unit Accessory:  
 Blue 1.07 GPM Low Flow Spray Valve  
 w/ 40" Flexible Stainless Steel Hose & Swivel

Drawn <b>JRM</b>	Checked <b>DMH</b>	Approved <b>JHB</b>
Scale: <b>NTS</b>		Date: <b>01/28/14</b>