

**T&S BRASS AND BRONZE WORKS, INC.**  
 2 Saddleback Cove / P.O. Box 1088  
 Travelers Rest, SC 29690

Model No.  
**EB-0123-B**

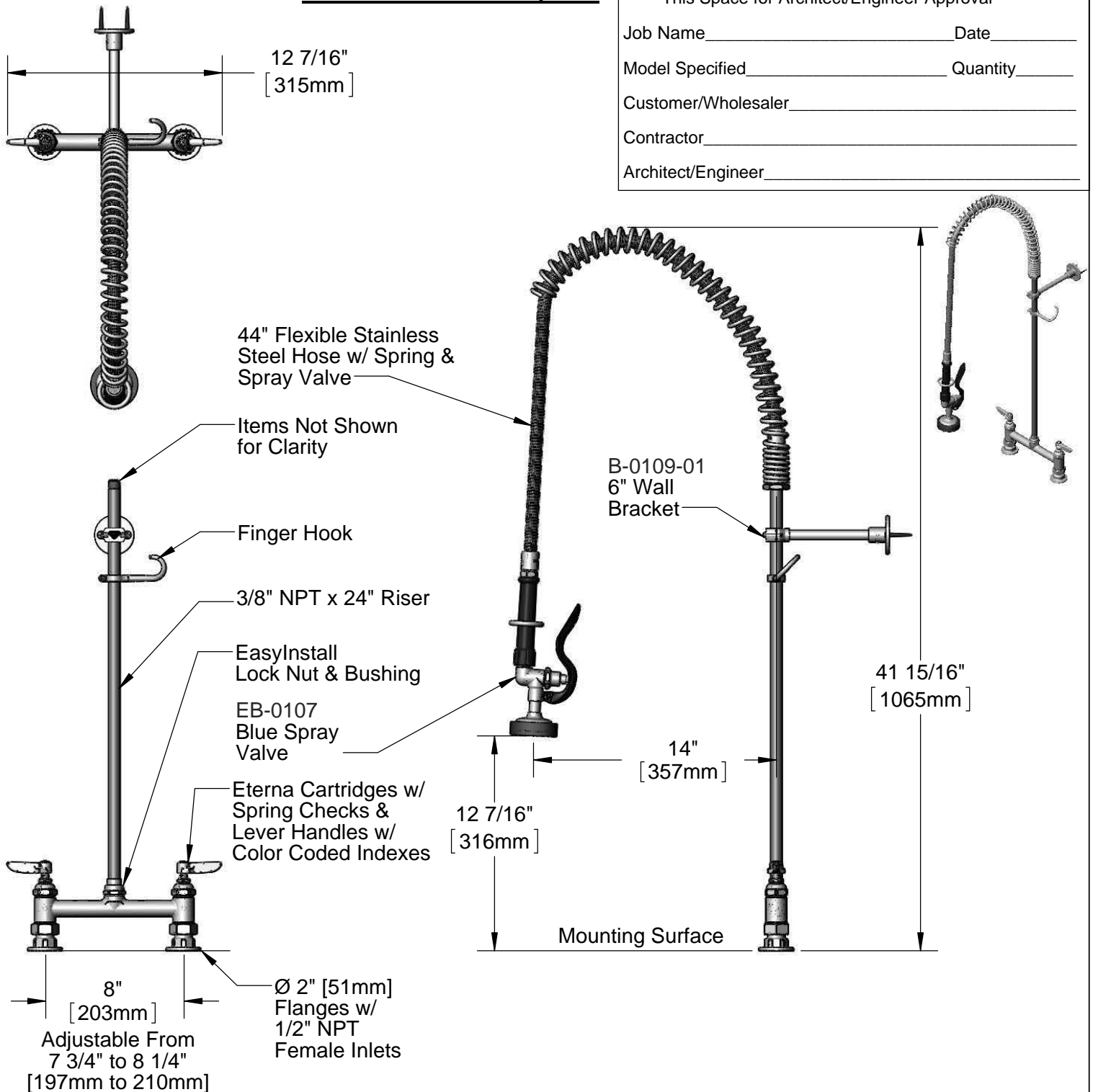
Item No.

Travelers Rest, SC: 800-476-4103 • Simi Valley, CA: 800-423-0150 • Fax: 864-834-3518 • www.tsbrass.com

**EPAct 2005 Non-Compliant**

This Space for Architect/Engineer Approval

Job Name \_\_\_\_\_ Date \_\_\_\_\_  
 Model Specified \_\_\_\_\_ Quantity \_\_\_\_\_  
 Customer/Wholesaler \_\_\_\_\_  
 Contractor \_\_\_\_\_  
 Architect/Engineer \_\_\_\_\_



Product Specifications:  
 EasyInstall Pre-Rinse Unit:  
 8" Deck Mount Mixing Faucet, Eterna Cartridges w/ Spring Checks,  
 Lever Handles, 44" Flexible Stainless Steel Hose, Blue Spray Valve,  
 6" Wall Bracket, 24" Riser & 1/2" NPT Female Inlets

Drawn <b>KJG</b>	Checked <b>JRM</b>	Approved <b>JHB</b>
Scale: <b>1:8</b>		Date: <b>06/25/13</b>

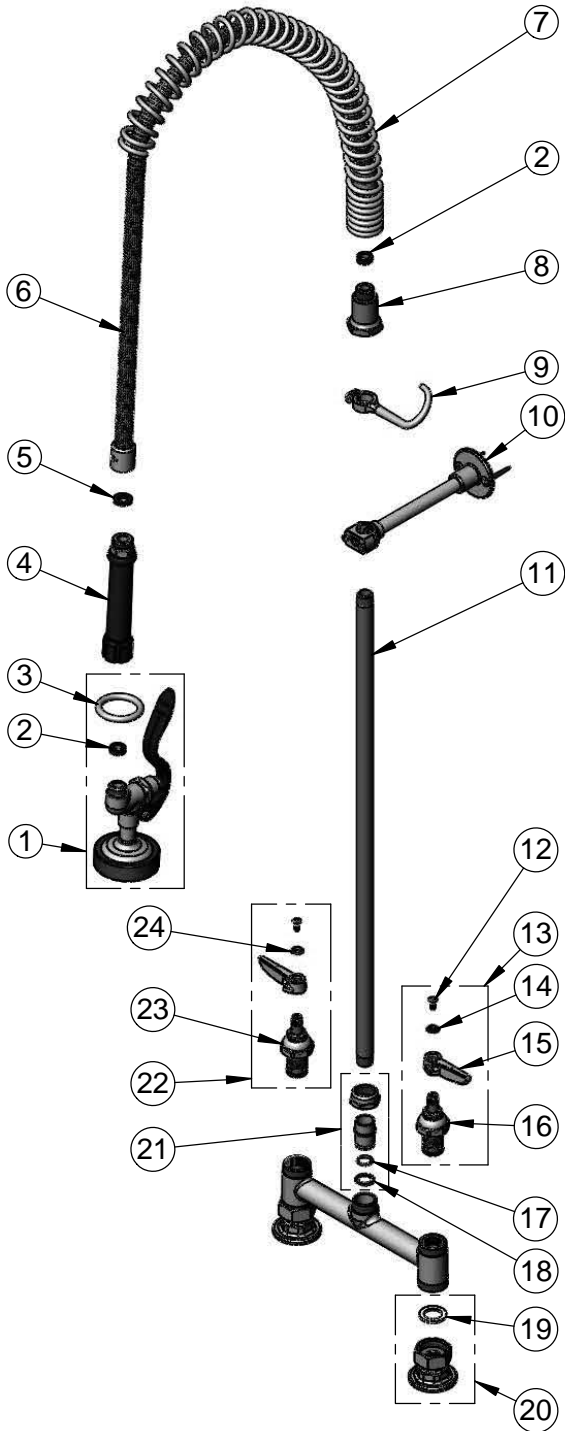


**T&S BRASS AND BRONZE WORKS, INC.**  
 2 Saddleback Cove / P.O. Box 1088  
 Travelers Rest, SC 29690

Model No.  
**EB-0123-B**

Item No.

Travelers Rest, SC: 800-476-4103 • Simi Valley, CA: 800-423-0150 • Fax: 864-834-3518 • www.tsbrass.com



ITEM NO.	SALES NO.	DESCRIPTION
1	EB-0107	High Flow Spray Valve (Blue)
2	010476-45	#27 Washer
3	000907-45	Spray Valve Hold Down Ring
4	011482-40	Blue Grip Handle
5	001014-45	Washer, B-0100 Hose Barrel
6	B-0044-H2A	44" Flexible Stainless Steel Hose, Less Handle
7	000888-45	EasyInstall Overhead Spring
8	000821-40	Spring Body
9	004R	Finger Hook
10	B-0109-01	6" Wall Bracket
11	000372-40	3/8" NPT x 24" Riser
12	000922-45	Lever Handle Screw
13	002711-40	Eterna Cartridge, LTC w/ Spring Check, Handle, Index & Screw
14	001660-45	Blue Index-CW
15	001638-45	Lever Handle
16	012442-40	Eterna Cartridge, LTC w/ Spring Check
17	001065-45	O-Ring
18	014200-45	Star Washer, Anti-Rotation
19	001019-45	Coupling Nut Washer
20	00AA	1/2" NPT Female Eccentric Flange
21	EZ-K	EasyInstall Kit: Nut, Bushing, O-ring & Lock Washer
22	002712-40	Eterna Cartridge, RTC w/ Spring Check, Handle, Index & Screw
23	012443-40	Eterna Cartridge, RTC w/ Spring Check
24	001661-45	Red Index-HW

Product Specifications:

EasyInstall Pre-Rinse Unit:  
 8" Deck Mount Mixing Faucet, Eterna Cartridges w/ Spring Checks,  
 Lever Handles, 44" Flexible Stainless Steel Hose, Blue Spray Valve,  
 6" Wall Bracket, 24" Riser & 1/2" NPT Female Inlets

Drawn <b>KJG</b>	Checked <b>JRM</b>	Approved <b>JHB</b>
Scale: <b>NTS</b>		Date: <b>06/25/13</b>