



**T&S BRASS AND BRONZE WORKS, INC.**

2 Saddleback Cove / P.O. Box 1088  
 Travelers Rest, SC 29690

Model No.

**EB-0133-BJ**

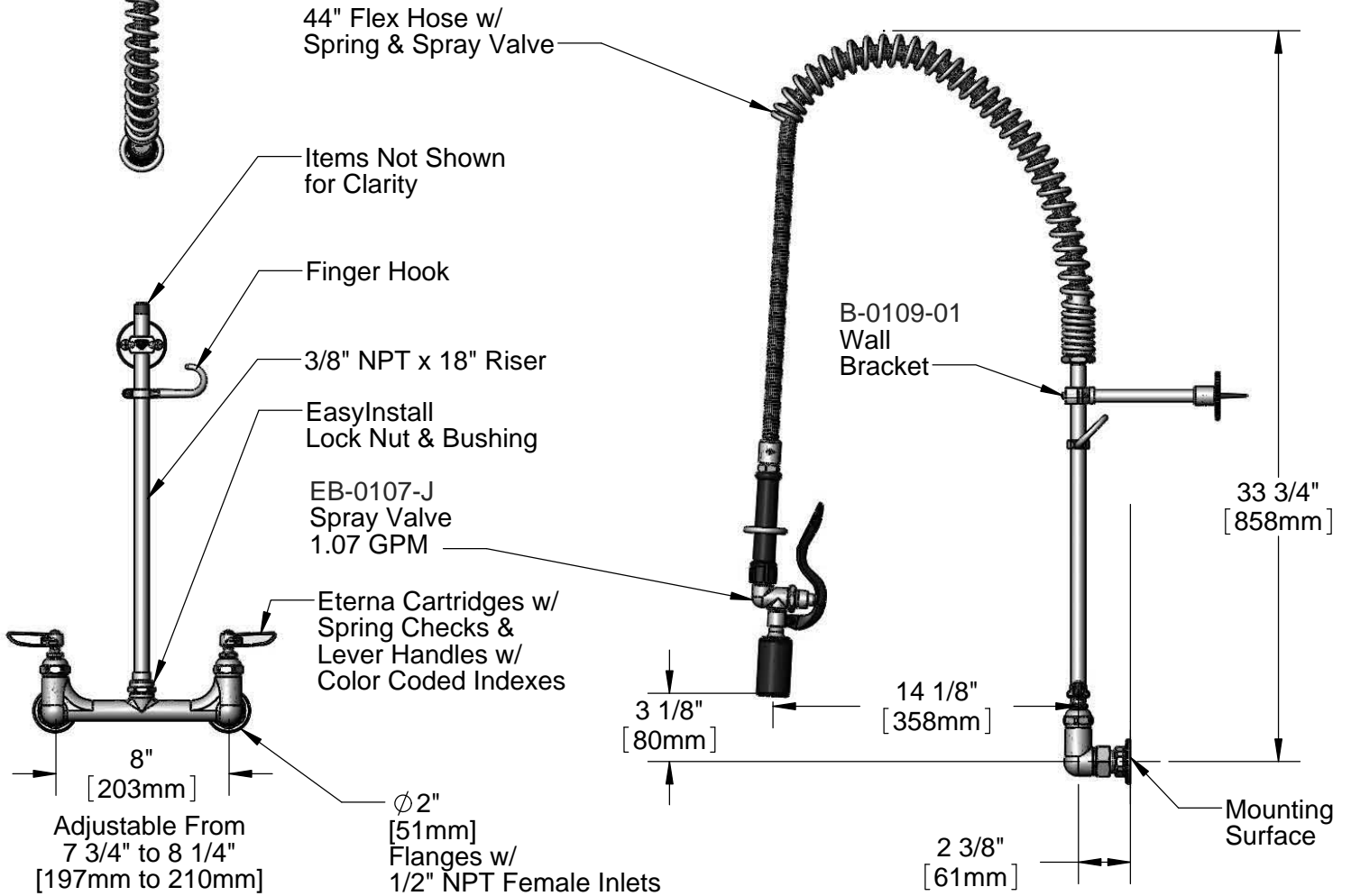
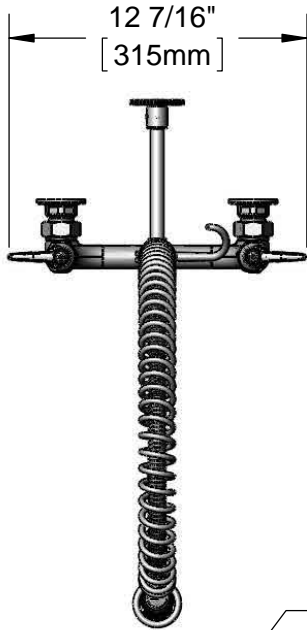
Item No.

Travelers Rest, SC: 800-476-4103 • Simi Valley, CA: 800-423-0150 • Fax: 864-834-3518 • www.tsbrass.com

**EPAct 2005 Compliant**

This Space for Architect/Engineer Approval

Job Name \_\_\_\_\_ Date \_\_\_\_\_  
 Model Specified \_\_\_\_\_ Quantity \_\_\_\_\_  
 Customer/Wholesaler \_\_\_\_\_  
 Contractor \_\_\_\_\_  
 Architect/Engineer \_\_\_\_\_



Product Specifications:

EasyInstall Pre-Rinse Unit:  
 8" c/c Wall Mount Mixing Faucet, Eterna w/ Spring Checks,  
 18" Riser, Overhead Spring, 44" Flex Hose, EB-0107-J Spray Valve &  
 1/2" NPT Female Inlets

Drawn <b>JRM</b>	Checked <b>DHL</b>	Approved <b>JHB</b>
Scale: <b>1:8</b>		Date: <b>05/23/12</b>



# T&S BRASS AND BRONZE WORKS, INC.

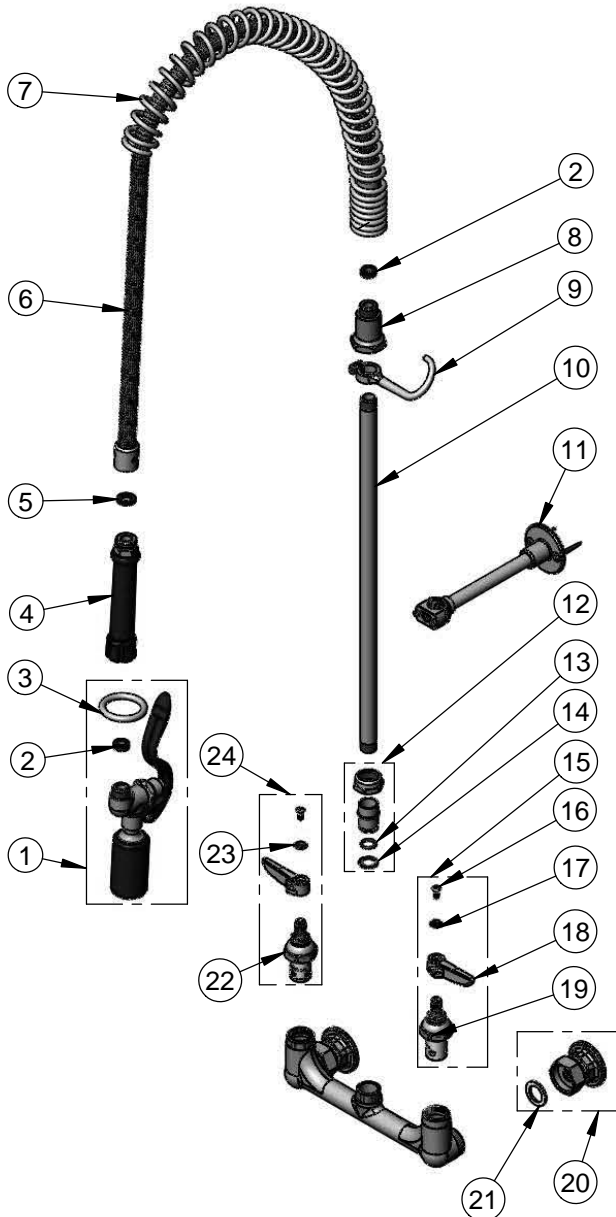
2 Saddleback Cove / P.O. Box 1088  
Travelers Rest, SC 29690

Model No.

**EB-0133-BJ**

Item No.

Travelers Rest, SC: 800-476-4103 • Simi Valley, CA: 800-423-0150 • Fax: 864-834-3518 • www.tsbrass.com



ITEM NO.	SALES NO.	DESCRIPTION
1	EB-0107-J	1.07 GPM Blue Spray Valve
2	010476-45	#27 Washer
3	000907-45	Spray Valve Hold Down Ring
4	011482-40	Blue Grip Handle
5	001014-45	Washer, B-0100 Hose Barrel
6	B-0044-H2A	44" SS Flex Hose Less Handle
7	000888-45	EasyInstall Overhead Spring
8	000821-40	Spring Body
9	004R	Finger Hook Assembly
10	000369-40	3/8" NPT x 18" Long Riser
11	B-0109-01	6" Wall Bracket
12	EZ-K	EasyInstall Kit: Bushing, O-Ring, Lock Washer & Loctite 222
13	001065-45	O-Ring
14	014200-45	Star Washer, Anti-Rotation
15	002711-40	Eterna Cartridge, LTC w/ Spring Check, Handle, Index & Screw
16	000922-45	Lever Handle Screw
17	001660-45	Blue Index-CW
18	001638-45	Lever Handle
19	012442-40	Eterna Cartridge, LTC w/ Spring Check
20	00AA	Flange Assembly
21	001019-45	Coupling Nut Washer
22	012443-40	Eterna Cartridge, RTC w/ Spring Check
23	001661-45	Red Index-HW
24	002712-40	Eterna Cartridge, RTC w/ Spring Check, Handle, Index & Screw

**Product Specifications:**

EasyInstall Pre-Rinse Unit:  
8" c/c Wall Mount Mixing Faucet, Eterna w/ Spring Checks,  
18" Riser, Overhead Spring, 44" Flex Hose, EB-0107-J Spray Valve &  
1/2" NPT Female Inlets

Drawn	Checked	Approved
JRM	DHL	JHB
Scale:		Date:
NTS		05/23/12