



T&S BRASS AND BRONZE WORKS, INC.

2 Saddleback Cove / P.O. Box 1088
Travelers Rest, SC 29690

Model No.

EC-3130-4DP

Item No.

Travelers Rest, SC: 800-476-4103 • Simi Valley, CA: 800-423-0150 • Fax: 864-834-3518 • www.tsbrass.com



ADA Compliant



This Space for Architect/Engineer Approval

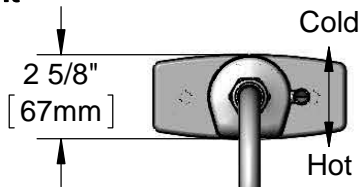
Job Name _____ Date _____

Model Specified _____ Quantity _____

Customer/Wholesaler _____

Contractor _____

Architect/Engineer _____

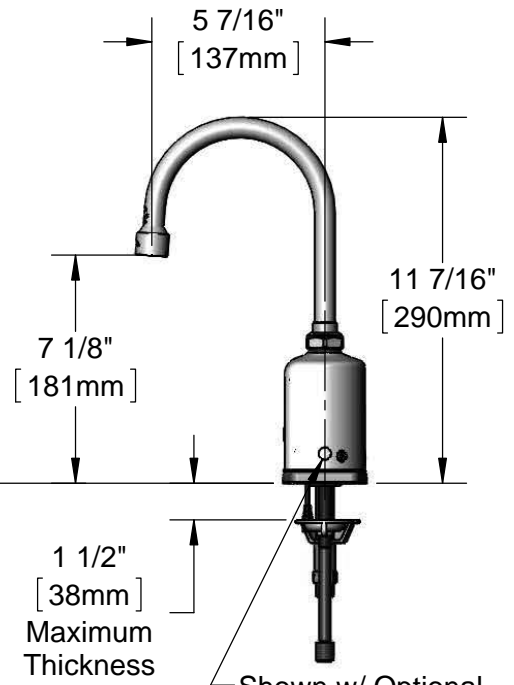


Internal Above Deck Electronics w/ Flow Control Setting Switches. Powered w/ 6 VDC Lithium Battery.

Polished Chrome Plated Deck Plate w/ Deck Gasket

Swivel Gooseneck w/ 2.2 GPM [8.3 L/min] Vandal Resistant Aerator. Rigid Conversion Requires 014200-45 Lock Washer (Included)

Temperature Mixing Handle w/ Color Coded Index (Optional Plug Included to Replace Handle When Temperature is Preset)



Mounting Surface

6" [152mm]

4" [102mm]

1 1/2" [38mm] Maximum Thickness

Shown w/ Optional Plug Installed When Water Temperature is Preset (Included)

19" [483mm] Flexible Stainless Steel Supply Hoses

1/2" NPSM Swivel Ends w/ Filter Washers

Check Valve Adapters w/ 3/8" Compression (9/16-24 UN) Inlets

Optional 100-240 VAC Adapter w/ 71" [1800mm] Power Cord

Rough-In Requirement:
Ø 1 1/4" [32mm] Center Mounting Hole
(2) Ø 1 1/8" [29mm] Side Mounting Holes

Product Specifications:

Chrome Plated Brass Above Deck Electronics Faucet, Deck Mount, 4" c/c Deck Plate, Swivel/Rigid Gooseneck, 2.2 GPM VR Aerator, Point-of-Use Temperature Control, Battery or AC Adapter Powered, Stainless Steel Flexible Supply Lines & 3/8" Compression Inlets

Product Compliance:

ASME A112.18.1 / CSA B125.1
NSF 61 - Section 9
NSF 372 (Low Lead Content)
ANSI A117.1 (ADA)
UL 1951



T&S BRASS AND BRONZE WORKS, INC.

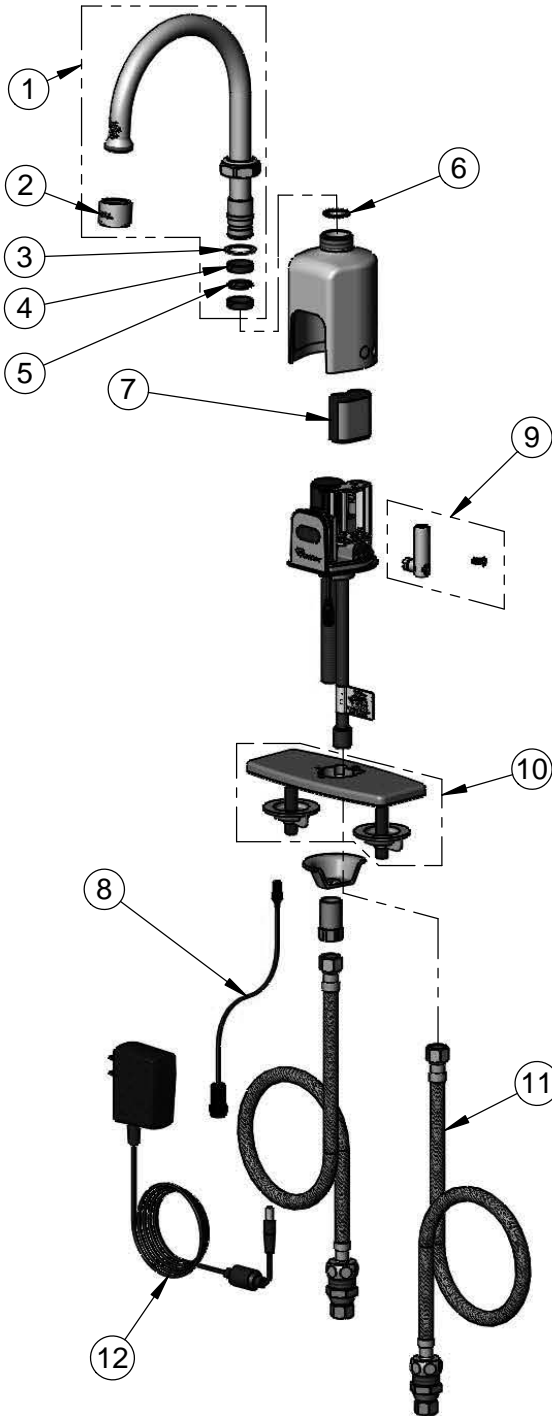
2 Saddleback Cove / P.O. Box 1088
Travelers Rest, SC 29690

Model No.

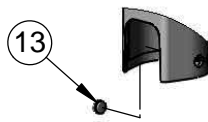
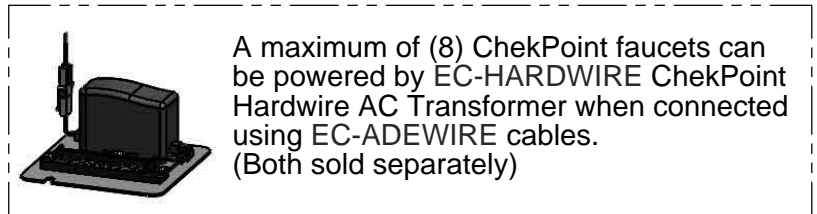
EC-3130-4DP

Item No.

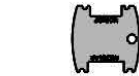
Travelers Rest, SC: 800-476-4103 • Simi Valley, CA: 800-423-0150 • Fax: 864-834-3518 • www.tsbrass.com



ITEM NO.	SALES NO.	DESCRIPTION
1	018490-40	Swivel Gooseneck w/ VR 2.2 GPM Aerator & Key
2	B-0199-06	VR 2.2 GPM Aerator, 55/64-27 Female w/ Key
3	009538-45	Swivel Washer
4	011429-45	Swivel Sleeves (2)
5	001074-45	O-Ring
6	014200-45	Star Washer, Anti-Rotation
7	019087-45	6VDC Lithium Battery, CR-P2
8	019088-45	Auxiliary Power Connector Cable
9	019082-45	Lever Asm & Body Screw Kit w/ L-Key
10	013433-40	4" Universal Deck Plate, Gasket & Mounting Hardware
11	018544-45	Flexible Stainless Steel Hose w/ Check Valve Adapter
12	5EF-0002	AC Transformer
13	019086-45	Body Plug, Pre-Set Temperature



Optional Plug Replaces Lever Handle When Pre-setting Temperature (Installs from Inside of Body)



015425-45
VR Aerator Key



018543-45
Torx T-20 VR L-Key

Flow Control Switches are Located Behind the Sensor. Remove Battery to Access Switches.

* Switches are set to DEFAULT position:

- Auto Time Out = 15 seconds
- Shut Off Delay = 1 second
- Auto Flush = OFF

* Available Water Flow Control Selections:

- Auto Time Out: 15 sec, 30 sec, 45 sec, 60 sec, 3 min, 20 min
- Shut Off Delay: 1 sec, 10 sec, 15 sec, 30 sec
- Auto Flush (30 Seconds After Every 12 Inactive Hours): ON or OFF

Product Specifications:

Chrome Plated Brass Above Deck Electronics Faucet, Deck Mount, 4" c/c Deck Plate, Swivel/Rigid Gooseneck, 2.2 GPM VR Aerator, Point-of-Use Temperature Control, Battery or AC Adapter Powered, Stainless Steel Flexible Supply Lines & 3/8" Compression Inlets

Product Compliance:

ASME A112.18.1 / CSA B125.1
NSF 61 - Section 9
NSF 372 (Low Lead Content)
ANSI A117.1 (ADA)
UL 1951