



# T&S BRASS AND BRONZE WORKS, INC.

2 Saddleback Cove / P.O. Box 1088  
Travelers Rest, SC 29690

Model No.

**EC-3130-HG**

Item No.

Travelers Rest, SC: 800-476-4103 • Simi Valley, CA: 800-423-0150 • Fax: 864-834-3518 • www.tsbrass.com



**ADA Compliant**



This Space for Architect/Engineer Approval

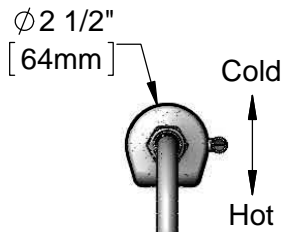
Job Name \_\_\_\_\_ Date \_\_\_\_\_

Model Specified \_\_\_\_\_ Quantity \_\_\_\_\_

Customer/Wholesaler \_\_\_\_\_

Contractor \_\_\_\_\_

Architect/Engineer \_\_\_\_\_



Ø 2 1/2"  
[64mm]

Cold  
↑  
↓  
Hot

Swivel Gooseneck w/  
2.2 GPM [8.3 L/min]  
Vandal Resistant Aerator.  
Rigid Conversion Requires  
014200-45 Lock Washer  
(Included)

Internal Above Deck  
Electronics w/ Flow  
Control Setting Switches.  
Optional DC Power w/  
6 V Lithium Battery.

Removable  
Anti-Rotation Pin

Mounting  
Surface

13/16"  
[21mm]

Connection to  
Power Supply

19" [486mm] Flexible  
Stainless Steel Supply  
Hoses

1 1/2"  
[38mm]  
Maximum  
Thickness

Shown w/ Optional  
Plug Installed When  
Water Temperature  
is Preset (Included)

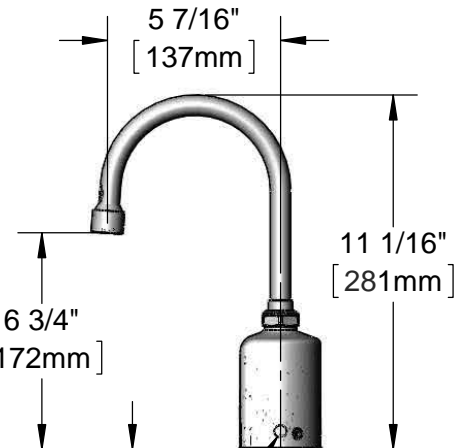
Optional 100-240 VAC  
Adapter w/ 144" [3658mm]  
Power Cord w/ 2 Terminal  
Plugs (Included)

Rough-In Requirement:  
Ø 1 1/4" [32mm] Mounting Hole  
Ø 3/16" [5mm] Anti-Rotation Pin Hole (Optional)

1/2" NPSM Swivel Ends  
w/ Filter Washers

Hydro-Generator Power Supply.  
No Battery or AC Adapter Needed  
to Supply Power to Faucet

Check Valve Adapters  
w/ 3/8" Compression  
(9/16-24 UN) Inlets



5 7/16"  
[137mm]

6 3/4"  
[172mm]

11 1/16"  
[281mm]

**Product Specifications:**

Chrome Plated Brass Above Deck Electronics Faucet, Single Hole Deck Mount, Swivel/Rigid Gooseneck, 2.2 GPM VR Aerator, Point-of-Use Temperature Control, Hydro-Generator Powered, Stainless Steel Flexible Supply Hoses & 3/8" Compression Inlets

**Product Compliance:**

ASME A112.18.1 / CSA B125.1  
NSF 61 - Section 9  
NSF 372 (Low Lead Content)  
ANSI A117.1 (ADA)  
UL 1951



# T&S BRASS AND BRONZE WORKS, INC.

2 Saddleback Cove / P.O. Box 1088  
Travelers Rest, SC 29690

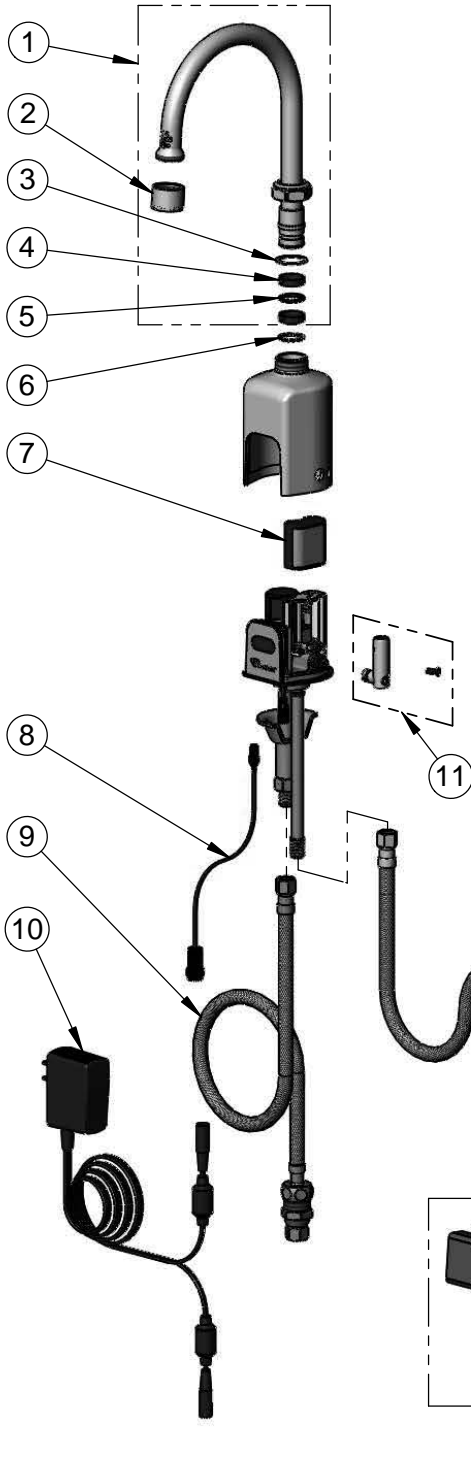
Model No.

**EC-3130-HG**

Item No.

Travelers Rest, SC: 800-476-4103 • Simi Valley, CA: 800-423-0150 • Fax: 864-834-3518 • www.tsbrass.com

ITEM NO.	SALES NO.	DESCRIPTION
1	018590-40	Swivel Gooseneck w/ VR 2.2 GPM Aerator w/ Key
2	B-0199-06	VR 2.2 GPM Aerator, 55/64-27 Female w/ Key
3	009538-45	Swivel Washer
4	011429-45	Swivel Sleeves (2)
5	001074-45	O-Ring
6	014200-45	Star Washer, Anti-Rotation
7	019087-45	6VDC Lithium Battery, CR-P2
8	019088-45	Auxiliary Power Connector Cable
9	018544-45	SS Flex Hose w/ Check Valve Adapter
10	5EF-0002	A/C Transformer
11	019082-45	Lever Asm & Body Screw Kit w/ L-Key
12	EC-HYDROGEN	HydroGenerator Power Supply
13	017506-45	1/2" NPSM Swivel Coupling
14	019086-45	Body Plug, Pre-Set Temperature



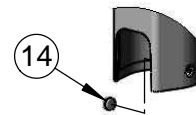
Flow Control Switches are Located Behind the Sensor.  
Remove Battery to Access Switches.

\* Switches are set to DEFAULT position:

- Auto Time Out = 15 seconds
- Shut Off Delay = 1 second
- Auto Flush = OFF

\* Available Water Flow Control Selections:

- Auto Time Out: 15 sec, 30 sec, 45 sec, 60 sec, 3 min, 20 min
- Shut Off Delay: 1 sec, 10 sec, 15 sec, 30 sec
- Auto Flush (30 Seconds After Every 12 Inactive Hours): ON or OFF



Optional Plug Replaces  
Lever Handle When  
Pre-setting Temperature  
(Installs from Inside of Body)



018543-45  
Torx T-20 VR L-Key



015425-45  
VR Aerator Key

**Product Specifications:**

Chrome Plated Brass Above Deck Electronics Faucet, Single Hole Deck Mount, Swivel/Rigid Gooseneck, 2.2 GPM VR Aerator, Point-of-Use Temperature Control, Hydro-Generator Powered, Stainless Steel Flexible Supply Hoses & 3/8" Compression Inlets

**Product Compliance:**

ASME A112.18.1 / CSA B125.1  
NSF 61 - Section 9  
NSF 372 (Low Lead Content)  
ANSI A117.1 (ADA)  
UL 1951