



T&S BRASS AND BRONZE WORKS, INC.

2 Saddleback Cove / P.O. Box 1088
Travelers Rest, SC 29690

Model No.

EC-3130-XP-F10

Item No.

Travelers Rest, SC: 800-476-4103 • Simi Valley, CA: 800-423-0150 • Fax: 864-834-3518 • www.tsbrass.com



ADA Compliant



This Space for Architect/Engineer Approval

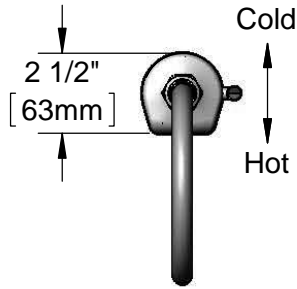
Job Name _____ Date _____

Model Specified _____ Quantity _____

Customer/Wholesaler _____

Contractor _____

Architect/Engineer _____



Internal Above Deck Electronics w/ Flow Control Setting Switches. Powered w/ 6 VDC Lithium Battery.

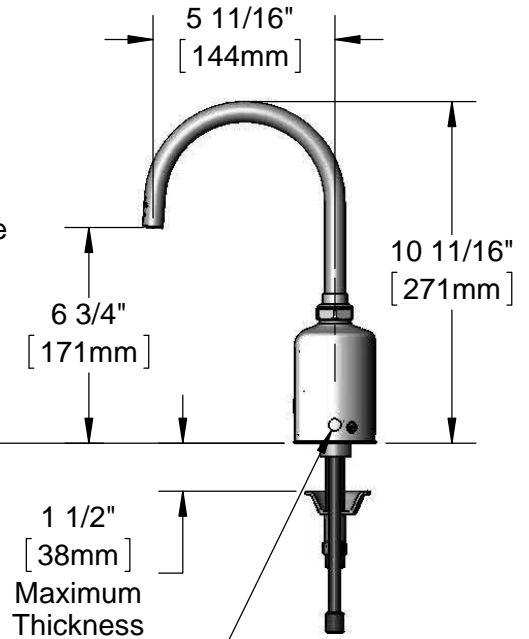
Removable Anti-Rotation Pin

13/16" [21mm]

Mounting Surface

Plain End Gooseneck w/ 1.0 GPM Flow Regulator Swivel Piece. Rigid Conversion Requires 014200-45 Lock Washer (Included)

Temperature Mixing Handle w/ Color Coded Index (Optional Plug Included to Replace Handle When Temperature is Preset)



Shown w/ Optional Plug Installed When Water Temperature is Preset (Included)

19" [483mm] Flexible Stainless Steel Supply Hoses

1/2" NPSM Swivel Ends w/ Filter Washers

Check Valve Adapters w/ 3/8" Compression (9/16-24 UN) Inlets

Optional 100-240 VAC Adapter w/ 144" [3658mm] Power Cord w/ 2 Terminal Plugs (Included)

Rough-In Requirement:

Ø 1 1/4" [32mm] Mounting Hole

Ø 3/16" [5mm] Anti-Rotation Pin Hole (Optional)

Product Specifications:

Chrome Plated Brass Above Deck Electronics Faucet, Single Hole Deck Mount, Plain End Swivel/Rigid Gooseneck w/ 1.0 GPM Flow Regulator, Point-of-Use Temp. Control, Battery or AC Adapter Powered, Stainless Steel Flexible Supply Lines & 3/8" Comp. Inlets

Product Compliance:

ASME A112.18.1 / CSA B125.1
NSF 61 - Section 9
NSF 372 (Low Lead Content)
ANSI A117.1 (ADA)
UL 1951



T&S BRASS AND BRONZE WORKS, INC.

2 Saddleback Cove / P.O. Box 1088
Travelers Rest, SC 29690

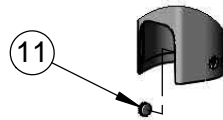
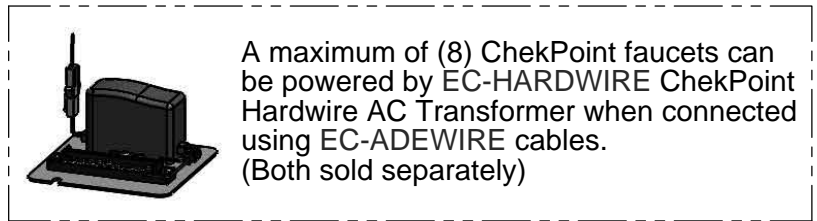
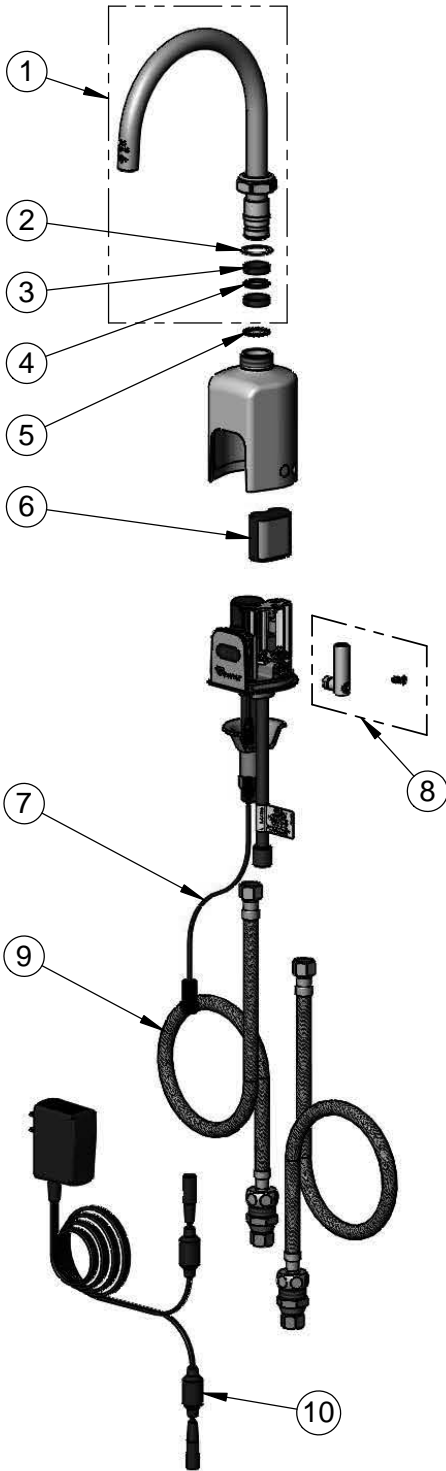
Model No.

EC-3130-XP-F10

Item No.

Travelers Rest, SC: 800-476-4103 • Simi Valley, CA: 800-423-0150 • Fax: 864-834-3518 • www.tsbrass.com

ITEM NO.	SALES NO.	DESCRIPTION
1	133XP-ADE-F10	Plain End Gooseneck w/ 1.0 GPM Flow Regulator Swivel Piece
2	009538-45	Swivel Washer
3	011429-45	Swivel Sleeves (2)
4	001074-45	O-Ring
5	014200-45	Star Washer, Anti-Rotation
6	019087-45	6VDC Lithium Battery, CR-P2
7	019088-45	Auxiliary Power Connector Cable
8	019082-45	Lever Asm & Body Screw Kit w/ L-Key
9	018544-45	SS Flex Hose w/ Check Valve Adapter
10	5EF-0002	AC Transformer
11	019086-45	Body Plug, Pre-Set Temperature



Optional Plug Replaces Lever Handle When Pre-setting Temperature (Installs from Inside of Body)



018543-45
Torx T-20 VR L-Key

Flow Control Switches are Located Behind the Sensor. Remove Battery to Access Switches.

* Switches are set to DEFAULT position:

- Auto Time Out = 15 seconds
- Shut Off Delay = 1 second
- Auto Flush = OFF

* Available Water Flow Control Selections:

- Auto Time Out: 15 sec, 30 sec, 45 sec, 60 sec, 3 min, 20 min
- Shut Off Delay: 1 sec, 10 sec, 15 sec, 30 sec
- Auto Flush (30 Seconds After Every 12 Inactive Hours): ON or OFF

Product Specifications:

Chrome Plated Brass Above Deck Electronics Faucet, Single Hole Deck Mount, Plain End Swivel/Rigid Gooseneck w/ 1.0 GPM Flow Regulator, Point-of-Use Temp. Control, Battery or AC Adapter Powered, Stainless Steel Flexible Supply Lines & 3/8" Comp. Inlets

Product Compliance:

ASME A112.18.1 / CSA B125.1
NSF 61 - Section 9
NSF 372 (Low Lead Content)
ANSI A117.1 (ADA)
UL 1951