



T&S BRASS AND BRONZE WORKS, INC.

2 Saddleback Cove / P.O. Box 1088
Travelers Rest, SC 29690

Model No.

MPQ-2DLV-08-CR

Item No.

Travelers Rest, SC: 800-476-4103 • Simi Valley, CA: 800-423-0150 • Fax: 864-834-3518 • www.tsbrass.com

For Commercial Use Only

This Space for Architect/Engineer Approval

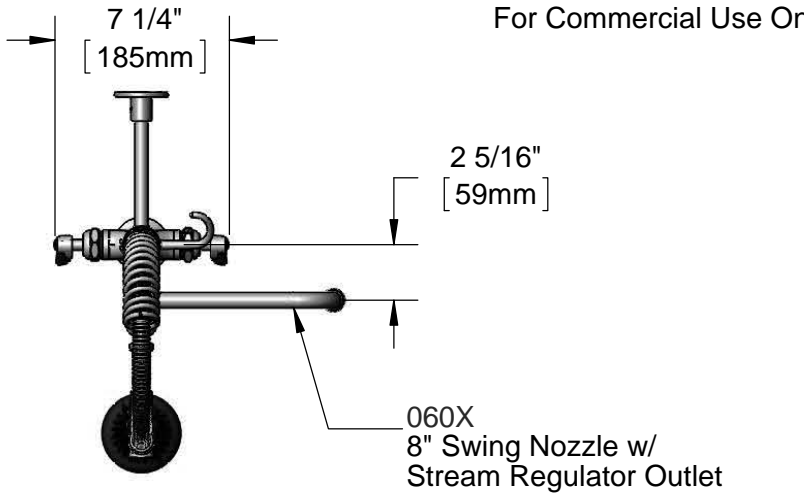
Job Name _____ Date _____

Model Specified _____ Quantity _____

Customer/Wholesaler _____

Contractor _____

Architect/Engineer _____



060X
8" Swing Nozzle w/
Stream Regulator Outlet

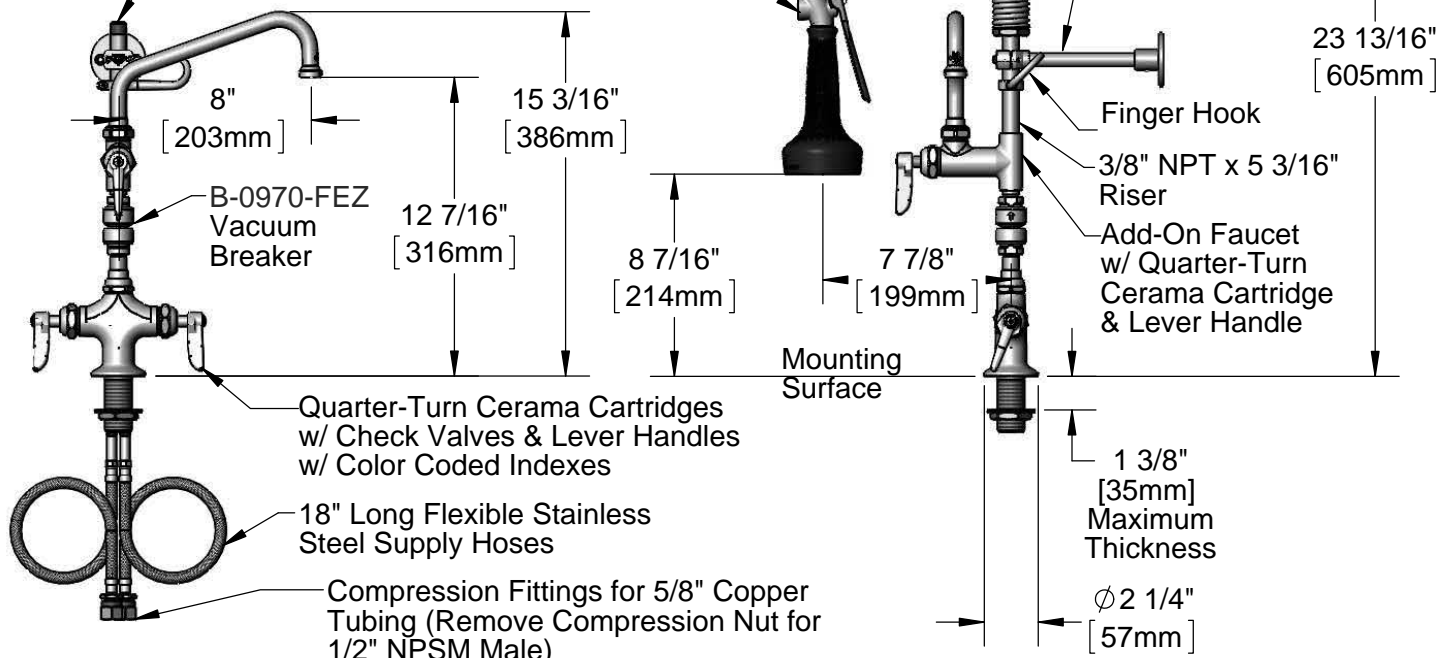
24" Flexible Stainless Steel
Hose w/ Spring & Spray Valve

Items Not Shown
For Clarity

B-0108-C
0.65 GPM Low
Flow JeTSpray Valve



B-0109-01
6" Wall
Bracket



B-0970-FEZ
Vacuum
Breaker

Finger Hook

3/8" NPT x 5 3/16"
Riser

Add-On Faucet
w/ Quarter-Turn
Cerama Cartridge
& Lever Handle

Quarter-Turn Cerama Cartridges
w/ Check Valves & Lever Handles
w/ Color Coded Indexes

18" Long Flexible Stainless
Steel Supply Hoses

Compression Fittings for 5/8" Copper
Tubing (Remove Compression Nut for
1/2" NPSM Male)

Mounting
Surface

1 3/8"
[35mm]
Maximum
Thickness

Ø 2 1/4"
[57mm]

Rough-In Requirement:
Ø 1 1/2" [38mm] Mounting Hole

Product Specifications:

Easy Install Pre-Rinse Unit:
Single Hole Deck Mount Mixing Faucet, Quarter-Turn Cerama Cartridges w/
Check Valves, Lever Handles, Add-On Faucet w/ 8" Swing Nozzle, Vacuum
Breaker, Compact Spring, 24" Flexible Stainless Steel Hose, 0.65 GPM Low
Flow JeTSpray Valve, 6" Wall Bracket & 18" Flexible Supply Hoses

Product Compliance:

ASME A112.18.1 / CSA B125.1
NSF 61 - Section 9
NSF 372 (Low Lead Content)
EPA Act 2005 (PRSV)
EPA WaterSense (PRSV)
CSA B64.8 (VB)



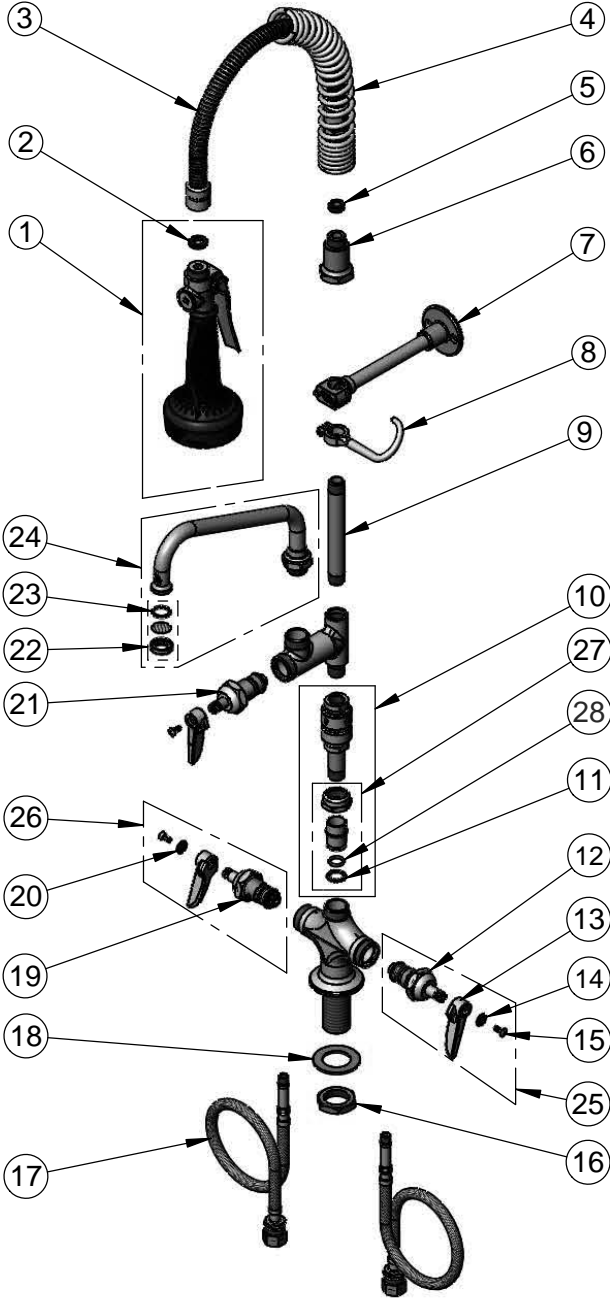
T&S BRASS AND BRONZE WORKS, INC.

2 Saddleback Cove / P.O. Box 1088
Travelers Rest, SC 29690

Model No.
MPQ-2DLV-08-CR

Item No.

Travelers Rest, SC: 800-476-4103 • Simi Valley, CA: 800-423-0150 • Fax: 864-834-3518 • www.tsbrass.com



ITEM NO.	SALES NO.	DESCRIPTION
1	B-0108-C	0.65 GPM Low Flow Jet Spray Valve
2	001014-45	Washer, B-0100 Hose Barrel
3	B-0024-H2A	24" Flexible Stainless Steel Hose, Less Handle
4	016795-45	Compact Spring
5	010476-45	#27 Washer
6	000821-40	Spring Body
7	B-0109-01	6" Wall Bracket
8	004R	Finger Hook
9	001617-40	3/8" NPT x 5 3/16" Riser
10	B-0970-FEZ	EasyInstall Vacuum Breaker
11	014200-45	Star Washer, Anti-Rotation
12	012395-25	Quarter-Turn Cerama Cartridge, LTC w/ Check Valve
13	001638-45	Lever Handle
14	001660-45	Blue Index-CW
15	000922-45	Lever Handle Screw
16	000965-45	Lock Nut
17	012534-45	18" Flexible Supply Hose (2)
18	002290-45	Lock Washer
19	012394-25	Quarter-Turn Cerama Cartridge, RTC w/ Check Valve
20	001661-45	Red Index-HW
21	011278-25	Quarter-Turn Cerama Cartridge, RTC
22	B-PT	Stream Regulator Outlet
23	001048-45	Nozzle Tip Washer
24	060X	8" Swing Nozzle
25	012447-25	Quarter-Turn Cerama Cartridge, LTC w/ Check Valve, Handle, Index & Screw
26	012446-25	Quarter-Turn Cerama Cartridge, RTC w/ Check Valve, Handle, Index & Screw
27	EZ-K	EasyInstall Kit: Nut, Bushing, O-Ring & Lock Washer
28	001065-45	O-Ring

Product Specifications:

Easy Install Pre-Rinse Unit:
Single Hole Deck Mount Mixing Faucet, Quarter-Turn Cerama Cartridges w/ Check Valves, Lever Handles, Add-On Faucet w/ 8" Swing Nozzle, Vacuum Breaker, Compact Spring, 24" Flexible Stainless Steel Hose, 0.65 GPM Low Flow Jet Spray Valve, 6" Wall Bracket & 18" Flexible Supply Hoses

Product Compliance:

ASME A112.18.1 / CSA B125.1
NSF 61 - Section 9
NSF 372 (Low Lead Content)
EPA Act 2005 (PRSV)
EPA WaterSense (PRSV)
CSA B64.8 (VB)