



T&S BRASS AND BRONZE WORKS, INC.
 2 Saddleback Cove / P.O. Box 1088
 Travelers Rest, SC 29690

Model No.
MPQ-8WLV-08-CR

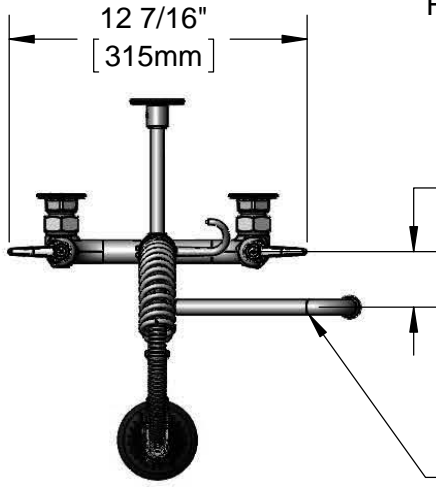
Item No.

Travelers Rest, SC: 800-476-4103 • Simi Valley, CA: 800-423-0150 • Fax: 864-834-3518 • www.tsbrass.com

For Commercial Use Only

This Space for Architect/Engineer Approval

Job Name _____ Date _____
 Model Specified _____ Quantity _____
 Customer/Wholesaler _____
 Contractor _____
 Architect/Engineer _____



2 5/16"
 [59mm]

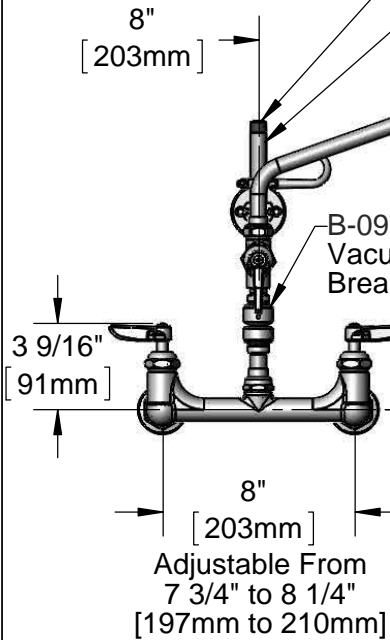
060X
 8" Swing Nozzle w/
 Stream Regulator Outlet

24" Flexible Stainless
 Steel Hose w/ Spring
 & Spray Valve

Items Not Shown
 For Clarity

3/8" NPT x 5 3/16"
 Riser

B-0108-C
 0.65 GPM Low
 Flow Jet Spray
 Valve



3 9/16"
 [91mm]

8"
 [203mm]

B-0970-FEZ
 Vacuum
 Breaker

12 1/2"
 [317mm]

9 3/4"
 [248mm]

8"
 [203mm]
 Adjustable From
 7 3/4" to 8 1/4"
 [197mm to 210mm]

Quarter-Turn Cerama
 Cartridges w/ Check
 Valves & Lever Handles
 w/ Color Coded Indexes



5 11/16"
 [145mm]

7 7/8"
 [199mm]

10 1/4"
 [260mm]

Mounting
 Surface

Finger Hook
 B-0109-01
 6" Wall
 Bracket

Add-On Faucet w/
 Quarter-Turn Cerama
 Cartridge & Lever
 Handles

Ø2" [51mm]
 Flanges w/
 1/2" NPT
 Female Inlets

21 1/8"
 [536mm]

Product Specifications:

Easy Install Pre-Rinse Unit:
 8" Wall Mount Mixing Faucet, Quarter-Turn Cerama Cartridges w/ Check
 Valves, Lever Handles, Add-On Faucet w/ 8" Swing Nozzle, Vacuum Breaker,
 Compact Spring, 24" Flexible Stainless Steel Hose, 0.65 GPM Spray Valve,
 6" Wall Bracket & 1/2" NPT Female Inlets

Product Compliance:

ASME A112.18.1 / CSA B125.1
 NSF 61 - Section 9
 NSF 372 (Low Lead Content)
 EPA Act 2005 (PRSV)
 EPA WaterSense (PRSV)
 CSA B64.8 (VB)



T&S BRASS AND BRONZE WORKS, INC.

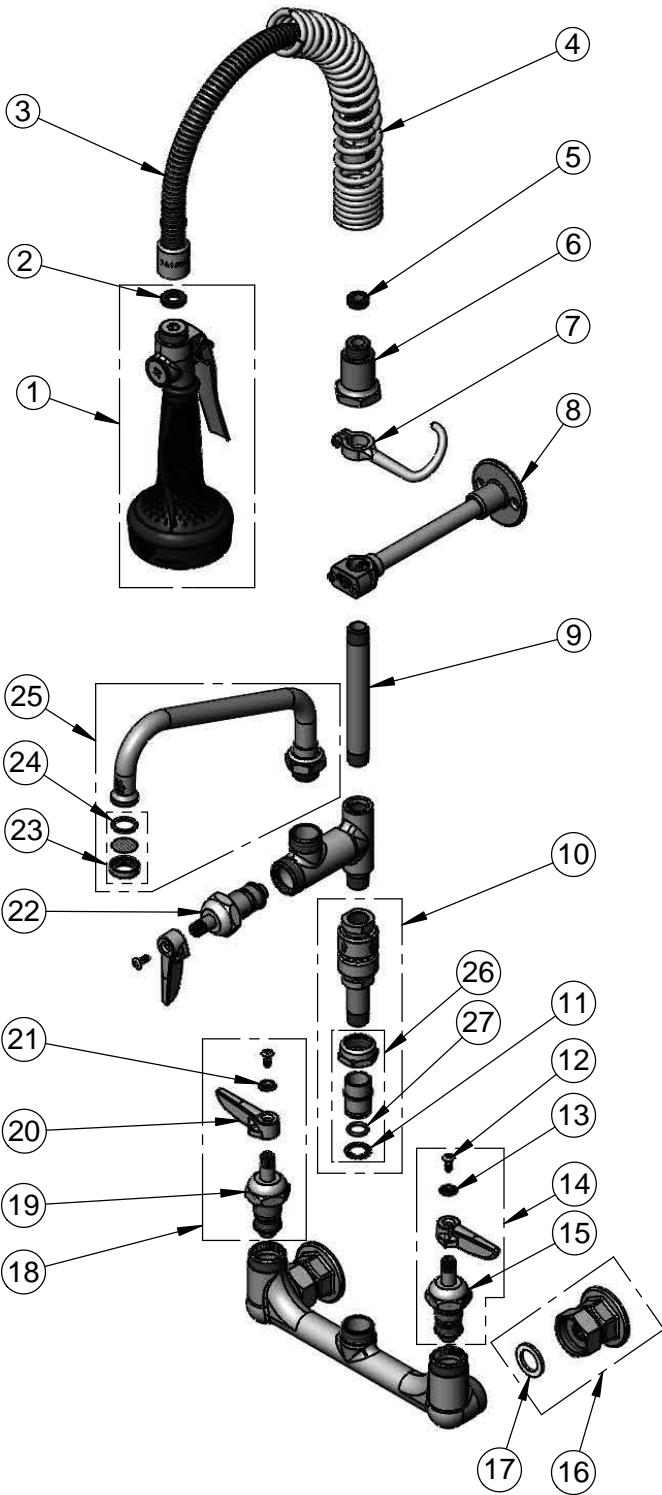
2 Saddleback Cove / P.O. Box 1088
Travelers Rest, SC 29690

Model No.

MPQ-8WLV-08-CR

Item No.

Travelers Rest, SC: 800-476-4103 • Simi Valley, CA: 800-423-0150 • Fax: 864-834-3518 • www.tsbrass.com



ITEM NO.	SALES NO.	DESCRIPTION
1	B-0108-C	0.65 GPM Low Flow Jet Spray Valve
2	001014-45	Washer, B-0100 Hose Barrel
3	B-0024-H2A	24" Flexible Stainless Steel Hose, Less Handle
4	016795-45	Compact Spring
5	010476-45	#27 Washer
6	000821-40	Spring Body
7	004R	Finger Hook
8	B-0109-01	6" Wall Bracket
9	001617-40	3/8" NPT x 5 3/16" Riser
10	B-0970-FEZ	EasyInstall Vacuum Breaker
11	014200-45	Star Washer, Anti-Rotation
12	000922-45	Lever Handle Screw
13	001660-45	Blue Index - CW
14	012447-25	Quarter-Turn Cerama Cartridge, LTC w/ Check Valve, Handle, Index & Screw
15	012395-25	Quarter-Turn Cerama Cartridge, LTC w/ Check Valve
16	00AA	1/2" NPT Female Eccentric Flange
17	001019-45	Coupling Nut Washer
18	012446-25	Quarter-Turn Cerama Cartridge, RTC w/ Check Valve, Handle, Index & Screw
19	012394-25	Quarter-Turn Cerama Cartridge, RTC w/ Check Valve
20	001638-45	Lever Handle
21	001661-45	Red Index - HW
22	011278-25	Quarter-Turn Cerama Cartridge, RTC
23	B-PT	Stream Regulator Outlet
24	001048-45	Nozzle Tip Washer
25	06X	8" Swing Nozzle
26	EZ-K	EasyInstall Kit: Nut, Bushing, O-Ring & Lock Washer
27	001065-45	O-Ring

Product Specifications:

Easy Install Pre-Rinse Unit:
8" Wall Mount Mixing Faucet, Quarter-Turn Cerama Cartridges w/ Check Valves, Lever Handles, Add-On Faucet w/ 8" Swing Nozzle, Vacuum Breaker, Compact Spring, 24" Flexible Stainless Steel Hose, 0.65 GPM Spray Valve, 6" Wall Bracket & 1/2" NPT Female Inlets

Product Compliance:

ASME A112.18.1 / CSA B125.1
NSF 61 - Section 9
NSF 372 (Low Lead Content)
EPA 2005 (PRSV)
EPA WaterSense (PRSV)
CSA B64.8 (VB)