



T&S BRASS AND BRONZE WORKS, INC.

2 Saddleback Cove / P.O. Box 1088
Travelers Rest, SC 29690

Model No.
MPR-2DLN-08-CRS

Item No.

Travelers Rest, SC: 800-476-4103 • Simi Valley, CA: 800-423-0150 • Fax: 864-834-3518 • www.tsbrass.com

For Commercial Use Only

This Space for Architect/Engineer Approval

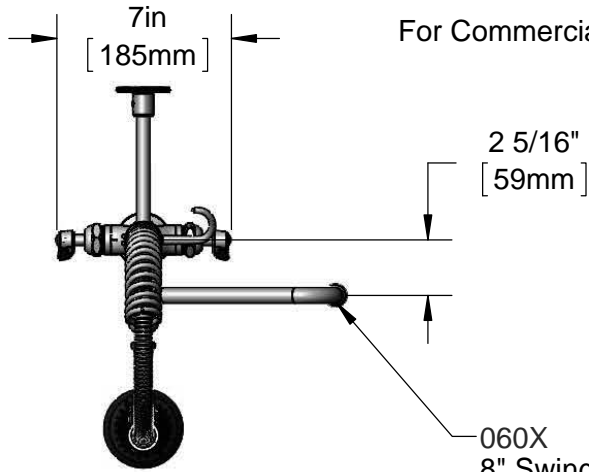
Job Name _____ Date _____

Model Specified _____ Quantity _____

Customer/Wholesaler _____

Contractor _____

Architect/Engineer _____



060X
8" Swing Nozzle w/
Stream Regulator Outlet

24" Flexible Stainless
Steel Hose, Spring &
Spray Valve

018200-40
Pre-Rinse Swivel

B-0108
1.48 GPM
JeTSpray Valve

B-0109-01
6" Wall
Bracket



24 13/16"
[630mm]

Items Not
Shown
For Clarity

3/8" NPT x
8" Riser

Finger Hook

EasyInstall
Lock Nut &
Bushing

8" [203mm]

10 5/8"
[270mm]

13 3/8"
[339mm]

8 1/2"
[216mm]

7 1/8"
[181mm]

EasyInstall
Add-On Faucet
w/ Quarter-Turn
Cerama Cartridge
& Lever Handle

Ø 2 1/4"
[57mm]

Quarter-Turn Cerama
Cartridges w/ Check
Valves & Lever Handles
w/ Color Coded Indexes

18" Flexible Stainless
Steel Supply Hoses

Compression Fittings
for 5/8" Copper Tubing
(Remove Compression
Nut for 1/2" NPSM Male)

Mounting
Surface

7 7/8"
[199mm]

1 3/8"
[35mm]
Maximum
Thickness

Rough-In Requirement:
Ø 1 1/2" [38mm] Mounting Hole

Product Specifications:

Pre-Rinse Unit: EasyInstall Single Hole Deck Mount Mixing Faucet, Add-On Faucet, 8" Swing Nozzle, Compact Spring, 24" Flexible Stainless Steel Hose, 1.48 GPM JeTSpray Valve w/ Swivel, Quarter-Turn Cerama Cartridges, Lever Handles, 6" Wall Bracket & 18" Flexible Stainless Steel Supply Hoses

Product Compliance:

ASME A112.18.1 / CSA B125.1
NSF 61 - Section 9
NSF 372 (Low Lead Content)
EPA 2005 (PRSV)



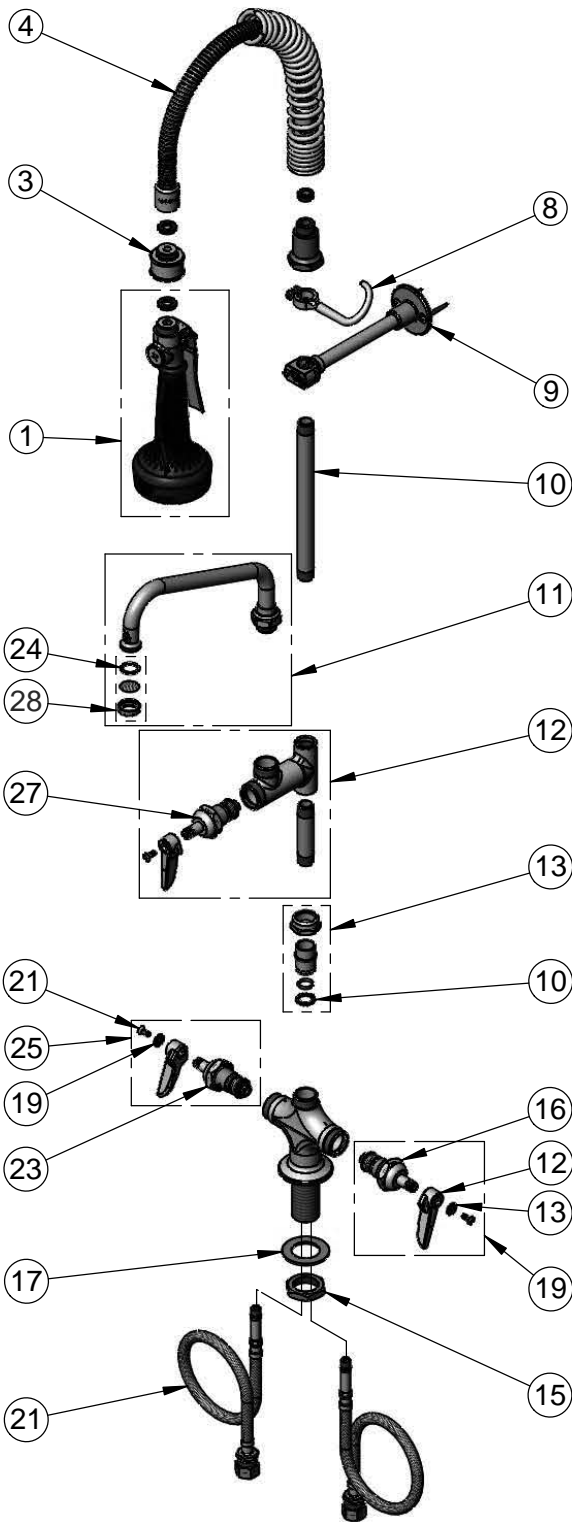
T&S BRASS AND BRONZE WORKS, INC.

2 Saddleback Cove / P.O. Box 1088
Travelers Rest, SC 29690

Model No.
MPR-2DLN-08-CRS

Item No.

Travelers Rest, SC: 800-476-4103 • Simi Valley, CA: 800-423-0150 • Fax: 864-834-3518 • www.tsbrass.com



ITEM NO.	SALES NO.	DESCRIPTION
1	B-0108	1.48 GPM JeTSpray Valve w/ Ergo-Grip
2	018200-40	Pre-Rinse Swivel w/ (2) Washers
3	B-0024-H2A	24" Flexible Stainless Steel Hose, Less Handle
4	004R	Finger Hook
5	B-0109-01	6" Wall Bracket
6	078X	3/8" NPT x 8" Riser
7	060X	8" Swing Nozzle
8	B-0155-CR-LN	Add-On Faucet w/ Quarter-Turn Cerama Cartridge & Lever Handle
9	EZ-K	EasyInstall Kit: Nut, Bushing, O-Ring & Lock Washer
10	014200-45	Star Washer, Anti-Rotation
11	012395-25	Quarter-Turn Cerama Cartridge, LTC w/ Check Valve
12	001638-45	Lever Handle
13	001660-45	Blue Index-CW
14	012447-25	Quarter-Turn Cerama Cartridge, LTC w/ Check Valve, Handle, Index & Screw
15	000965-45	Lock Nut
16	012534-45	18" Flexible Supply Hose (2)
17	002290-45	Lock Washer
18	012394-25	Quarter-Turn Cerama Cartridge, RTC w/ Check Valve
19	001661-45	Red Index-HW
20	012446-25	Quarter-Turn Cerama Cartridge, RTC w/ Check Valve, Handle, Index & Screw
21	000922-45	Lever Handle Screw
22	011278-25	Quarter-Turn Cerama Cartridge, RTC
23	B-PT	Stream Regulator Outlet
24	001048-45	Nozzle Tip Washer

Product Specifications:

Pre-Rinse Unit: EasyInstall Single Hole Deck Mount Mixing Faucet, Add-On Faucet, 8" Swing Nozzle, Compact Spring, 24" Flexible Stainless Steel Hose, 1.48 GPM JeTSpray Valve w/ Swivel, Quarter-Turn Cerama Cartridges, Lever Handles, 6" Wall Bracket & 18" Flexible Stainless Steel Supply Hoses

Product Compliance:

ASME A112.18.1 / CSA B125.1
NSF 61 - Section 9
NSF 372 (Low Lead Content)
EPA Act 2005 (PRSV)