



# T&S BRASS AND BRONZE WORKS, INC.

2 Saddleback Cove / P.O. Box 1088  
Travelers Rest, SC 29690

Model No.  
**MPR-8WLN-08-CRS**

Item No.

Travelers Rest, SC: 800-476-4103 • Simi Valley, CA: 800-423-0150 • Fax: 864-834-3518 • www.tsbrass.com

For Commercial Use Only

This Space for Architect/Engineer Approval

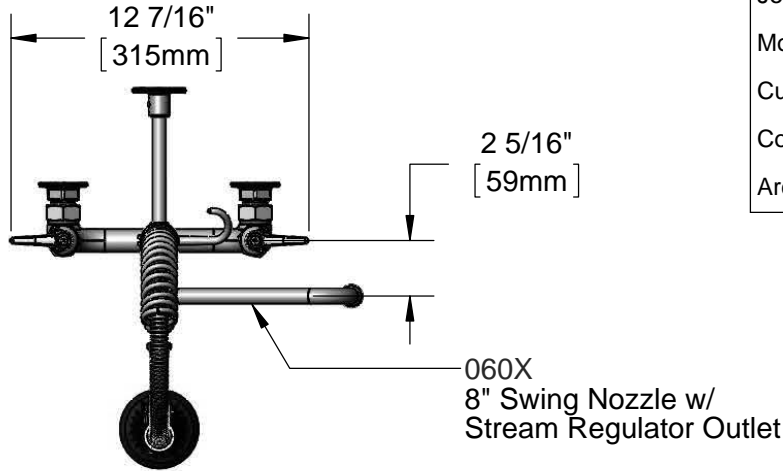
Job Name \_\_\_\_\_ Date \_\_\_\_\_

Model Specified \_\_\_\_\_ Quantity \_\_\_\_\_

Customer/Wholesaler \_\_\_\_\_

Contractor \_\_\_\_\_

Architect/Engineer \_\_\_\_\_



24" Flexible Stainless  
Steel Hose w/ Spring  
& Spray Valve

Items Not  
Shown  
for Clarity

3/8" NPT x  
8" Riser

Finger  
Hook

EasyInstall  
Lock Nut &  
Bushing

3 <sup>9</sup>/<sub>16</sub>"  
[91mm]

8"  
[203mm]

018200-40  
Pre-Rinse Swivel

B-0108  
1.48 GPM  
JeTSpray Valve

10 <sup>11</sup>/<sub>16</sub>"  
[271mm]

7 <sup>15</sup>/<sub>16</sub>"  
[202mm]

5 <sup>13</sup>/<sub>16</sub>"  
[147mm]

4 <sup>7</sup>/<sub>16</sub>"  
[112mm]

B-0109-01  
6" Wall  
Bracket

22 <sup>1</sup>/<sub>8</sub>"  
[561mm]

EasyInstall Add-On  
Faucet w/ Quarter-Turn  
Cerama Cartridge &  
Lever Handle

8"  
[203mm]

Adjustable From  
7 <sup>3</sup>/<sub>4</sub>" to 8 <sup>1</sup>/<sub>4</sub>"  
[197mm to 210mm]

Quarter-Turn Cerama  
Cartridges w/ Check  
Valves & Lever Handles  
w/ Color Coded Indexes

7 <sup>7</sup>/<sub>8</sub>"  
[199mm]

2 <sup>3</sup>/<sub>8</sub>"  
[61mm]

Mounting  
Surface

### Product Specifications:

Pre-Rinse Unit: EasyInstall 8" Wall Mount Mixing Faucet, Add-On Faucet w/ 8" Swing Nozzle, Compact Spring, 24" Flexible Stainless Steel Hose, Quarter-Turn Cerama Cartridges w/ Check Valves, Lever Handles, 1.48 GPM JeTSpray Valve w/ Swivel, 6" Wall Bracket & 18" Flexible Supply Hoses

### Product Compliance:

ASME A112.18.1 / CSA B125.1  
NSF 61 - Section 9  
NSF 372 (Low Lead Content)  
EPA Act 2005 (PRSV)



# T&S BRASS AND BRONZE WORKS, INC.

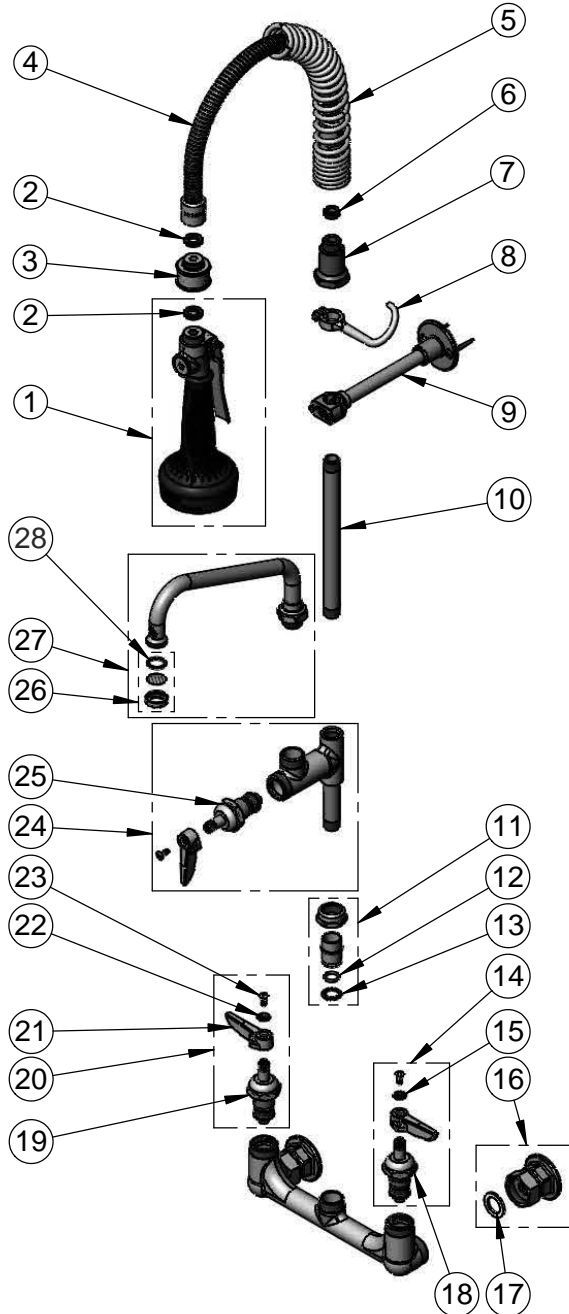
2 Saddleback Cove / P.O. Box 1088  
Travelers Rest, SC 29690

Model No.

**MPR-8WLN-08-CRS**

Item No.

Travelers Rest, SC: 800-476-4103 • Simi Valley, CA: 800-423-0150 • Fax: 864-834-3518 • www.tsbrass.com



ITEM NO.	SALES NO.	DESCRIPTION
1	B-0108	1.48 GPM JeT Spray Valve w/ Ergo-Grip
2	001014-45	Washer, B-0100 Hose Barrel
3	018200-40	Pre-Rinse Swivel w/ (2) Washers
4	B-0024-H2A	24" Flexible Stainless Steel Hose, Less Handle
5	016795-45	Compact Spring
6	010476-45	#27 Washer
7	000821-40	Spring Body
8	004R	Finger Hook
9	B-0109-01	6" Wall Bracket
10	078X	3/8" NPT x 8" Riser
11	EZ-K	EasyInstall Kit: Nut, Bushing, O-Ring & Lock Washer
12	001065-45	O-Ring
13	014200-45	Star Washer, Anti-Rotation
14	012447-25	Quarter-Turn Cerama Cartridge, LTC w/ Check Valve, Handle, Index & Screw
15	001660-45	Blue Index-CW
16	00AA	1/2" NPT Female Eccentric Flange
17	001019-45	Coupling Nut Washer
18	012395-40	Quarter-Turn Cerama Cartridge, LTC w/ Check Valve
19	012394-40	Quarter-Turn Cerama Cartridge, RTC w/ Check Valve
20	012446-25	Quarter-Turn Cerama Cartridge, RTC w/ Check Valve, Handle, Index & Screw
21	001638-45	Lever Handle
22	001661-45	Red Index-HW
23	000922-45	Lever Handle Screw
24	B-0155-CR-LN	Add-On Faucet w/ Quarter-Turn Cerama Cartridge & Lever Handle, Less Nozzle
25	011278-25	Quarter-Turn Cerama Cartridge, RTC
26	B-PT	Stream Regulator Outlet
27	060X	8" Swing Nozzle
28	001048-45	Nozzle Tip Washer

**Product Specifications:**

Pre-Rinse Unit: EasyInstall 8" Wall Mount Mixing Faucet, Add-On Faucet w/ 8" Swing Nozzle, Compact Spring, 24" Flexible Stainless Steel Hose, Quarter-Turn Cerama Cartridges w/ Check Valves, Lever Handles, 1.48 GPM JeT Spray Valve w/ Swivel, 6" Wall Bracket & 18" Flexible Supply Hoses

**Product Compliance:**

ASME A112.18.1 / CSA B125.1  
NSF 61 - Section 9  
NSF 372 (Low Lead Content)  
EPA Act 2005 (PRSV)