



T&S BRASS AND BRONZE WORKS, INC.

2 Saddleback Cove / P.O. Box 1088
Travelers Rest, SC 29690

Model No.

MPR-8WLN-12

Item No.

Travelers Rest, SC: 800-476-4103 • Simi Valley, CA: 800-423-0150 • Fax: 864-834-3518 • www.tsbrass.com

For Commercial Use Only

This Space for Architect/Engineer Approval

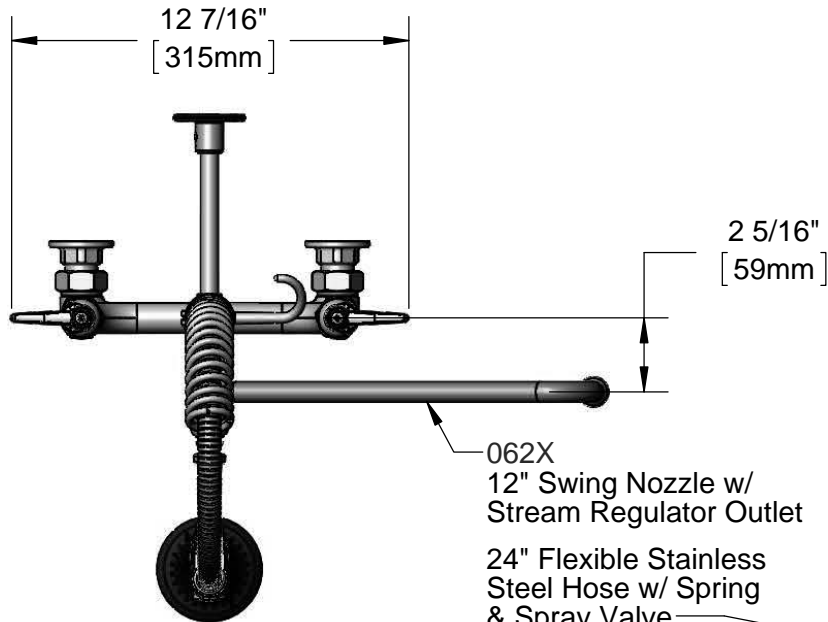
Job Name _____ Date _____

Model Specified _____ Quantity _____

Customer/Wholesaler _____

Contractor _____

Architect/Engineer _____



062X
12" Swing Nozzle w/
Stream Regulator Outlet

24" Flexible Stainless
Steel Hose w/ Spring
& Spray Valve

Items Not Shown
For Clarity

3/8" NPT x 8" Riser

B-0108
1.48 GPM
JeTSpray Valve

EasyInstall
Lock Nut &
Bushing

12"
[305mm]

12 1/16"
[306mm]

9 5/16"
[236mm]

6 11/16"
[170mm]

Quarter-Turn Eterna
Cartridges w/ Spring
Checks & Lever
Handles w/ Color
Coded Indexes

8"
[203mm]
Adjustable From
7 3/4" to 8 1/4"
[197mm to 210mm]



22 1/8"
[561mm]

Finger
Hook

B-0109-01
6" Wall
Bracket

EasyInstall
Add-On Faucet
w/ Quarter-Turn
Eterna Cartridge
& Lever Handle

7 7/8"
[199mm]

2 3/8"
[61mm]

Ø 2" [51mm]
Flanges w/
1/2" NPT
Female Inlets

Mounting Surface

Product Specifications:

EasyInstall Pre-Rinse Unit:

8" Wall Mount Mixing Faucet, Quarter-Turn Eterna Cartridges w/ Spring Checks, Lever Handles, Add-On Faucet w/ 12" Swing Nozzle, Compact Spring, 24" Flexible Stainless Steel Hose, 1.48 GPM JeTSpray Valve, 6" Wall Bracket & 1/2" NPT Female Inlets

Product Compliance:

ASME A112.18.1 / CSA B125.1
NSF 61 - Section 9
NSF 372 (Low Lead Content)
EPA 2005 (PRSV)



T&S BRASS AND BRONZE WORKS, INC.

2 Saddleback Cove / P.O. Box 1088
Travelers Rest, SC 29690

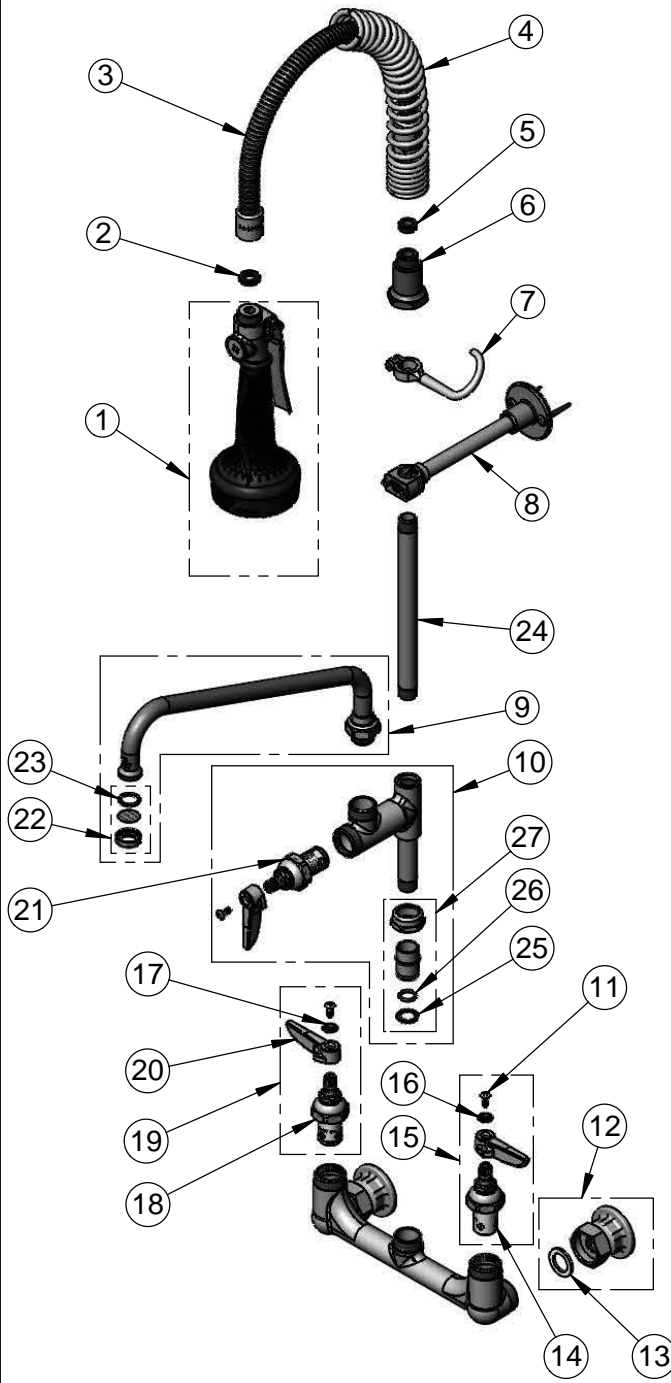
Model No.

MPR-8WLN-12

Item No.

Travelers Rest, SC: 800-476-4103 • Simi Valley, CA: 800-423-0150 • Fax: 864-834-3518 • www.tsbrass.com

ITEM NO.	SALES NO.	DESCRIPTION
1	B-0108	1.48 GPM JeTSpray Valve w/ Ergo-Grip
2	001014-45	Washer, B-0100 Hose Barrel
3	B-0024-H2A	24" Flexible Stainless Steel Hose, Less Handle
4	016795-45	Compact Spring
5	010476-45	#27 Washer
6	000821-40	Spring Body
7	004R	Finger Hook
8	B-0109-01	6" Wall Bracket
9	062X	12" Swing Nozzle
10	B-0155-LNEZ	EasyInstall Add-On Faucet, Less Nozzle
11	000922-45	Lever Handle Screw
12	00AA	1/2" NPT Female Eccentric Flange
13	001019-45	Coupling Nut Washer
14	012442-40	Quarter-Turn Eterna Cartridge, LTC w/ Spring Check
15	002711-40	Quarter-Turn Eterna Cartridge, LTC w/ Spring Check, Handle, Index & Screw
16	001660-45	Blue Index-CW
17	001661-45	Red Index-HW
18	012443-40	Quarter-Turn Eterna Cartridge, RTC w/ Spring Check
19	002712-40	Quarter-Turn Eterna Cartridge, RTC w/ Spring Check, Handle, Index & Screw
20	001638-45	Lever Handle
21	005960-40QT	Quarter-Turn Eterna Cartridge, RTC
22	B-PT	Stream Regulator Outlet
23	001048-45	Nozzle Tip Washer
24	078X	3/8" NPT x 8" Riser
25	014200-45	Star Washer, Anti-Rotation
26	001065-45	O-Ring
27	EZ-K	EasyInstall Kit: Nut, Bushing, O-Ring & Lock Washer



Product Specifications:
 EasyInstall Pre-Rinse Unit:
 8" Wall Mount Mixing Faucet, Quarter-Turn Eterna Cartridges w/ Spring Checks, Lever Handles, Add-On Faucet w/ 12" Swing Nozzle, Compact Spring, 24" Flexible Stainless Steel Hose, 1.48 GPM JeTSpray Valve, 6" Wall Bracket & 1/2" NPT Female Inlets

Product Compliance:
 ASME A112.18.1 / CSA B125.1
 NSF 61 - Section 9
 NSF 372 (Low Lead Content)
 EPA Act 2005 (PRSV)