



# T&S BRASS AND BRONZE WORKS, INC.

2 Saddleback Cove / P.O. Box 1088  
Travelers Rest, SC 29690

Model No.

**MPW-2DCN-06**

Item No.

Travelers Rest, SC: 800-476-4103 • Simi Valley, CA: 800-423-0150 • Fax: 864-834-3518 • www.tsbrass.com

## For Commercial Use Only

This Space for Architect/Engineer Approval

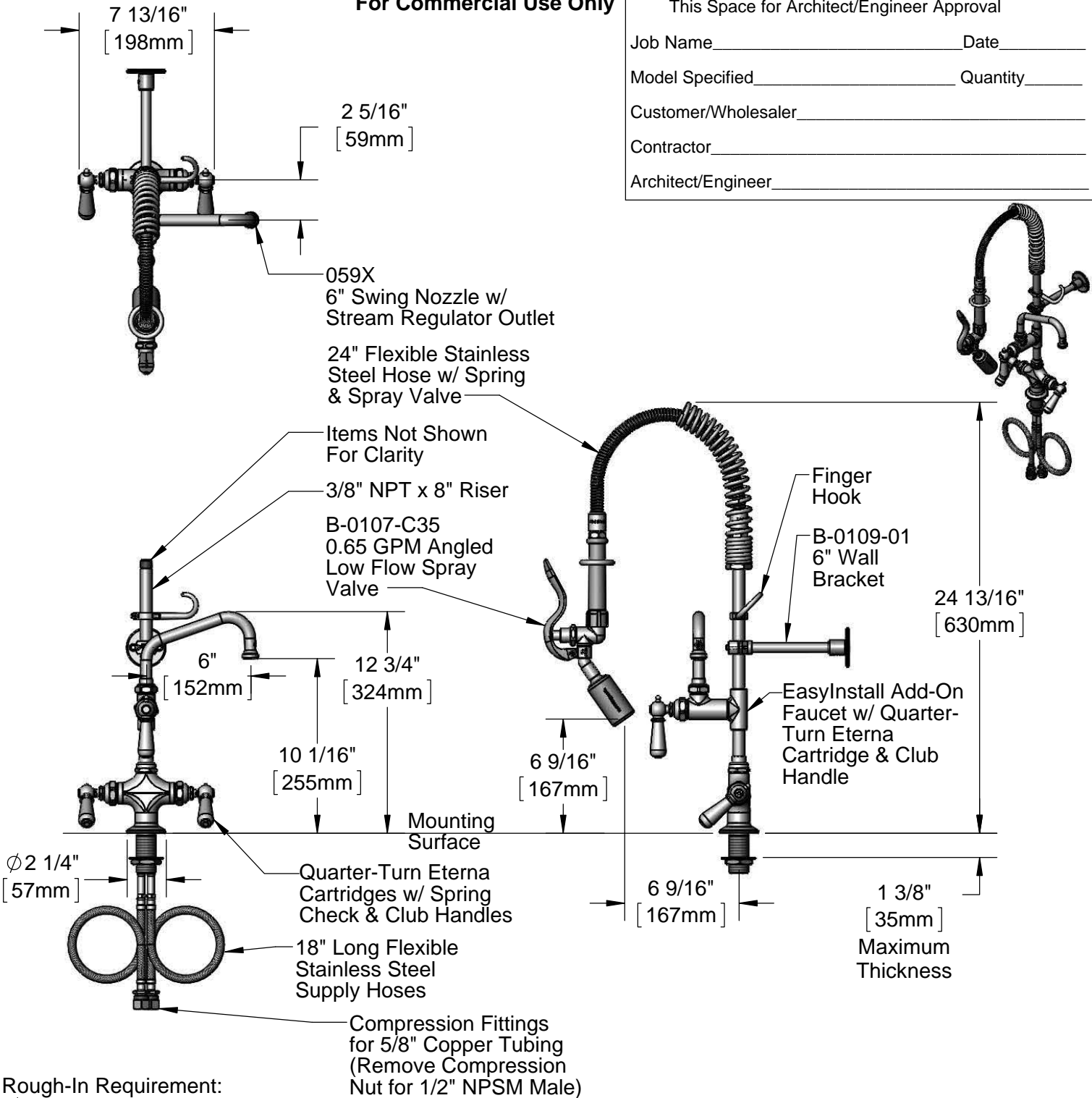
Job Name \_\_\_\_\_ Date \_\_\_\_\_

Model Specified \_\_\_\_\_ Quantity \_\_\_\_\_

Customer/Wholesaler \_\_\_\_\_

Contractor \_\_\_\_\_

Architect/Engineer \_\_\_\_\_



Rough-In Requirement:  
Ø 1 1/2" [38mm] Mounting Hole

### Product Specifications:

Easy Install Pre-Rinse Unit:  
Single Hole Deck Mount Mixing Faucet, Quarter-Turn Eterna Cartridges w/  
Spring Checks, Club Handles, Add-On Faucet w/ 6" Swing Nozzle, Compact  
Spring, 24" Flexible Stainless Steel Hose, 0.65 GPM Angled Spray Valve,  
6" Wall Bracket & (2) Flexible Supply Hoses

### Product Compliance:

ASME A112.18.1 / CSA B125.1  
NSF 61 - Section 9  
NSF 372 (Low Lead Content)  
EPA Act 2005 (PRSV)



# T&S BRASS AND BRONZE WORKS, INC.

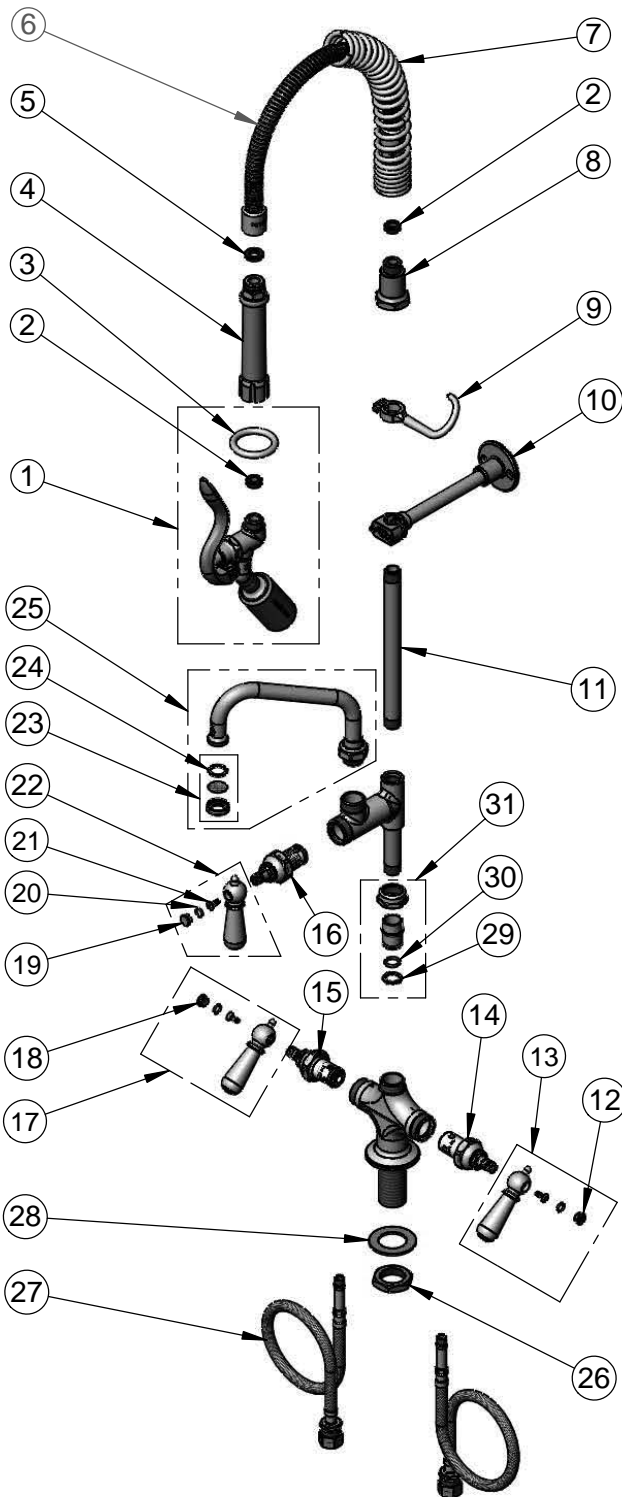
2 Saddleback Cove / P.O. Box 1088  
Travelers Rest, SC 29690

Model No.

**MPW-2DCN-06**

Item No.

Travelers Rest, SC: 800-476-4103 • Simi Valley, CA: 800-423-0150 • Fax: 864-834-3518 • www.tsbrass.com



ITEM NO.	SALES NO.	DESCRIPTION
1	B-0107-C35	0.65 GPM Angled Low Flow Spray Valve
2	010476-45	#27 Washer
3	000907-45	Hold Down Ring
4	002987-40	Grip Handle
5	001014-45	Washer, B-0100 Hose Barrel
6	B-0024-H2A	24" Flexible Stainless Steel Hose, Less Handle
7	016795-45	Compact Spring
8	000821-40	Spring Body
9	004R	Finger Hook
10	B-0109-01	6" Wall Bracket
11	078X	3/8" NPT x 8" Riser
12	009304-41	Cap Insert, Cold
13	009331-41	Decorative Handle, Cold
14	012442-40	Quarter-Turn Eterna Cartridge, LTC w/ Spring Check
15	012443-40	Quarter-Turn Eterna Cartridge, RTC w/ Spring Check
16	005960-40QT	Quarter-Turn Eterna Cartridge, RTC
17	009332-41	Decorative Handle, Hot
18	009303-41	Cap Insert, Hot
19	009285-41	Cap Insert, Blank
20	001066-45	O-Ring
21	000922-45	Screw, Lever
22	017181-41	Decorative Handle, Blank
23	B-PT	Stream Regulator Outlet
24	001048-45	Nozzle Tip Washer
25	059X	6" Swing Nozzle
26	000965-45	Lock Nut
27	012534-45	18" Flexible Supply Hose (2)
28	002290-45	Lock Washer
29	014200-45	Star Washer, Anti-Rotation
30	001065-45	O-Ring
31	EZ-K	EasyInstall Kit: Nut, Bushing, O-Ring & Lock Washer

**Product Specifications:**

Easy Install Pre-Rinse Unit:  
Single Hole Deck Mount Mixing Faucet, Quarter-Turn Eterna Cartridges w/ Spring Checks, Club Handles, Add-On Faucet w/ 6" Swing Nozzle, Compact Spring, 24" Flexible Stainless Steel Hose, 0.65 GPM Angled Spray Valve, 6" Wall Bracket & (2) Flexible Supply Hoses

**Product Compliance:**

ASME A112.18.1 / CSA B125.1  
NSF 61 - Section 9  
NSF 372 (Low Lead Content)  
EPA Act 2005 (PRSV)