



T&S BRASS AND BRONZE WORKS, INC.

2 Saddleback Cove / P.O. Box 1088
Travelers Rest, SC 29690

Model No.
MPW-8WWN-08-CR

Item No.

Travelers Rest, SC: 800-476-4103 • Simi Valley, CA: 800-423-0150 • Fax: 864-834-3518 • www.tsbrass.com

For Commercial Use Only

This Space for Architect/Engineer Approval

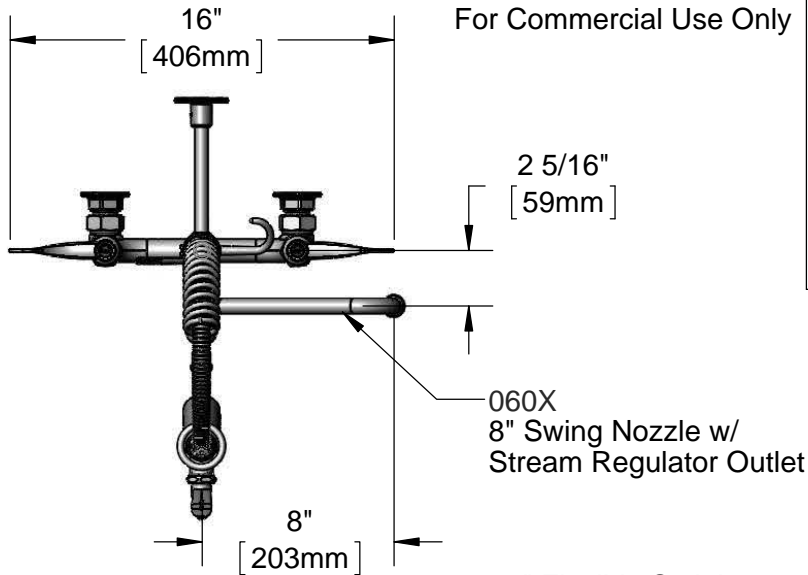
Job Name _____ Date _____

Model Specified _____ Quantity _____

Customer/Wholesaler _____

Contractor _____

Architect/Engineer _____



060X
8" Swing Nozzle w/
Stream Regulator Outlet



Items Not Shown
For Clarity

3/8" NPT x 8"
Riser

B-0107-C35
0.65 GPM Low
Flow Spray
Valve

B-0109-01
6" Wall
Bracket

22 1/8"
[561mm]

5 5/16"
[136mm]

10 11/16"
[271mm]

7 15/16"
[202mm]

3 13/16"
[97mm]

Finger
Hook

Quarter-Turn Cerama
Cartridge & Wrist Action
Handle w/ Blue (CW)
Index

8"
[203mm]

Adjustable From
7 3/4" to 8 1/4"
[197mm to 210mm]

Quarter-Turn Cerama
Cartridges w/ Check
Valves & 4" Wrist
Action Handles w/
Color Coded Indexes

6 9/16"
[167mm]

2" [51mm]
Flanges w/
1/2" NPT
Female Inlets

2 3/8"
[61mm]

Mounting Surface

Product Specifications:

Pre-Rinse Unit: EasyInstall 8" Wall Mount Mixing Faucet, Quarter-Turn Cerama Cartridges, 4" Wrist Action Handles, Add-On Faucet w/ 8" Swing Nozzle, Compact Spring, 24" Flexible Stainless Steel Hose, 0.65 GPM Angled Low Flow Spray Valve, 6" Wall Bracket & 1/2" NPT Female Inlets

Product Compliance:

ASME A112.18.1 / CSA B125.1
NSF 61 - Section 9
NSF 372 (Low Lead Content)
EPA 2005 (PRSV)



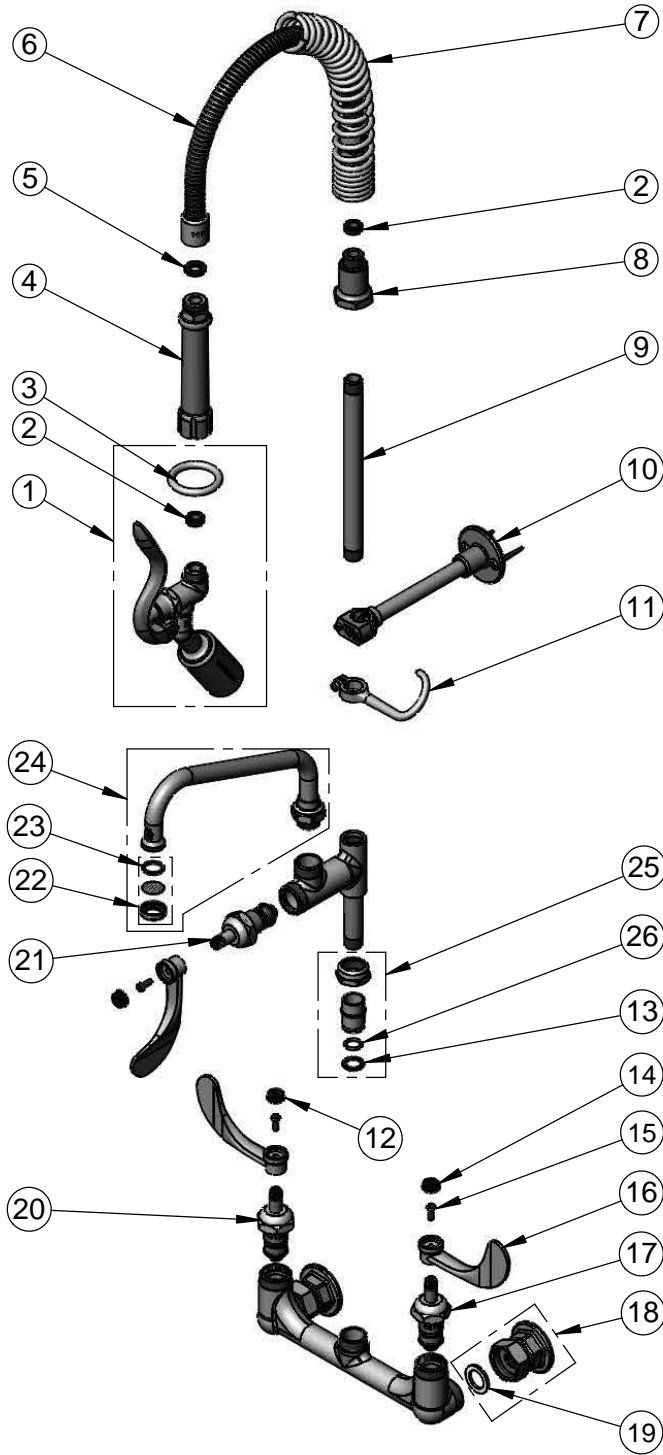
T&S BRASS AND BRONZE WORKS, INC.

2 Saddleback Cove / P.O. Box 1088
Travelers Rest, SC 29690

Model No.
MPW-8WWN-08-CR

Item No.

Travelers Rest, SC: 800-476-4103 • Simi Valley, CA: 800-423-0150 • Fax: 864-834-3518 • www.tsbrass.com



ITEM NO.	SALES NO.	DESCRIPTION
1	B-0107-C35	0.65 GPM Angled Low Flow Spray Valve
2	010476-45	#27 Washer
3	000907-45	Hold Down Ring
4	002987-40	Grip Handle
5	001014-45	Washer, B-0100 Hose Barrel
6	B-0024-H2A	24" Flexible Stainless Steel Hose, Less Handle
7	016795-45	Compact Pre-Rinse Spring
8	000821-40	Spring Body
9	078X	3/8" x 8" Riser
10	004R	Finger Hook
11	B-0109-01	6" Wall Bracket
12	001194-45	Red Index, HW
13	014200-45	Star Washer, Anti-Rotation
14	001686-45	Blue Index, CW
15	000925-45	Screw, Wrist Action Handle
16	B-WH4	4" Wrist Action Handle
17	012395-25	Quarter-Turn Cerama Cartridge, LTC w/ Check Valve
18	00AA	1/2" NPT Female Eccentric Flange
19	001019-45	Coupling Nut Washer
20	012394-25	Quarter-Turn Cerama Cartridge, RTC w/ Check Valve
21	011278-25	Quarter-Turn Cerama Cartridge, RTC
22	B-PT	Stream Regulator Outlet
23	060X	8" Swing Nozzle
24	001048-45	Nozzle Tip Washer
25	EZ-K	EasyInstall Kit: Nut, Bushing, O-Ring & Lock Washer
26	001065-45	O-Ring

Product Specifications:

Pre-Rinse Unit: EasyInstall 8" Wall Mount Mixing Faucet, Quarter-Turn Cerama Cartridges, 4" Wrist Action Handles, Add-On Faucet w/ 8" Swing Nozzle, Compact Spring, 24" Flexible Stainless Steel Hose, 0.65 GPM Angled Low Flow Spray Valve, 6" Wall Bracket & 1/2" NPT Female Inlets

Product Compliance:

ASME A112.18.1 / CSA B125.1
NSF 61 - Section 9
NSF 372 (Low Lead Content)
EPA Act 2005 (PRSV)