



# T&S BRASS AND BRONZE WORKS, INC.

2 Saddleback Cove / P.O. Box 1088  
Travelers Rest, SC 29690

Model No.

**MPX-2DCN-08-CR**

Item No.

Travelers Rest, SC: 800-476-4103 • Simi Valley, CA: 800-423-0150 • Fax: 864-834-3518 • www.tsbrass.com

For Commercial Use Only

This Space for Architect/Engineer Approval

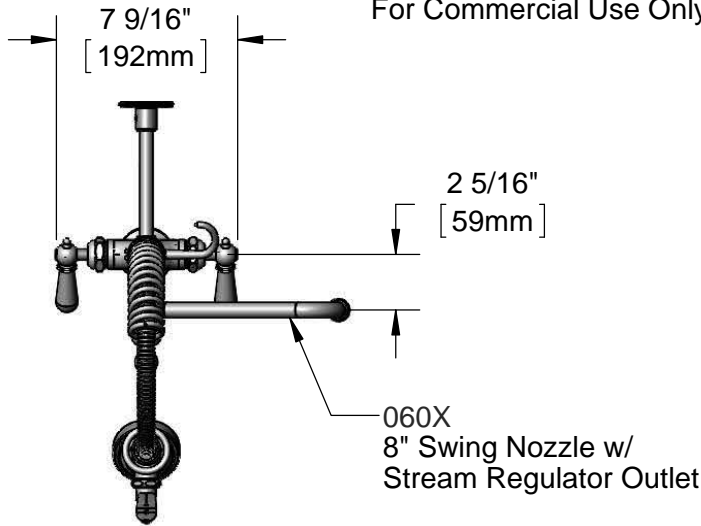
Job Name \_\_\_\_\_ Date \_\_\_\_\_

Model Specified \_\_\_\_\_ Quantity \_\_\_\_\_

Customer/Wholesaler \_\_\_\_\_

Contractor \_\_\_\_\_

Architect/Engineer \_\_\_\_\_



B-0024-H  
24" Flexible Stainless Steel Hose, Spring & Spray Valve

Items Not Shown For Clarity

Finger Hook  
3/8" NPT x 8" Riser

EasyInstall Lock Nut & Bushing

Ø 2 1/4" [57mm]

B-0107-035  
1.42 GPM Spray Valve

13 3/8" [339mm]

10 11/16" [271mm]

8 7/16" [214mm]

Quarter-Turn Cerama Cartridges w/ Check Valves & Club Handles w/ Indexes

18" Flexible Stainless Steel Supply Hoses

Compression Fittings for 5/8" Copper Tubing (Remove Compression Nut for 1/2" NPSM Male)

8" [203mm]

Mounting Surface

1 3/8" [35mm] Maximum Thickness

24 13/16" [630mm]

B-0109-01  
6" Wall Bracket

EasyInstall Add-On Faucet w/ Quarter-Turn Cerama Cartridge & Club Handle

Rough-In Requirement:  
Ø 1 1/2" [38mm] Mounting Hole

Product Specifications:

Pre-Rinse Unit: EasyInstall Single Hole Deck Mount Mixing Faucet, Quarter-Turn Cerama Cartridges w/ Check Valves, Club Handles, Add-On Faucet w/ 8" Swing Nozzle, Compact Spring, 24" Flexible Stainless Steel Hose, 1.42 GPM Spray Valve, 6" Wall Bracket & 18" Flexible Supply Hoses

Product Compliance:

ASME A112.18.1 / CSA B125.1  
NSF 61 - Section 9  
NSF 372 (Low Lead Content)  
EPA 2005 (PRSV)



# T&S BRASS AND BRONZE WORKS, INC.

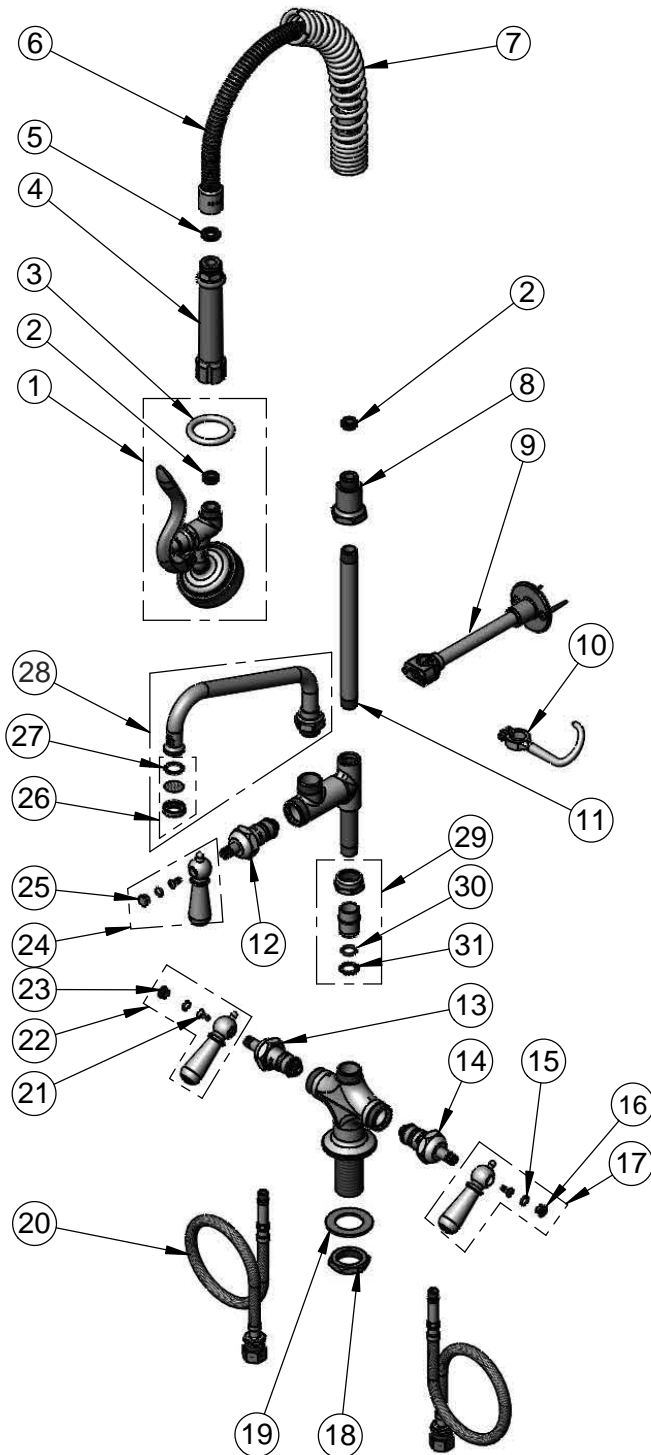
2 Saddleback Cove / P.O. Box 1088  
Travelers Rest, SC 29690

Model No.

**MPX-2DCN-08-CR**

Item No.

Travelers Rest, SC: 800-476-4103 • Simi Valley, CA: 800-423-0150 • Fax: 864-834-3518 • www.tsbrass.com



ITEM NO.	SALES NO.	DESCRIPTION
1	B-0107-035	1.42 GPM Angled Spray Valve
2	010476-45	#27 Washer
3	000907-45	Spray Valve Hold Down Ring
4	002987-40	Grip Handle
5	001014-45	Washer, B-0100 Hose Barrel
6	B-0024-H2A	24" Flexible Stainless Steel Hose, Less Handle
7	016795-45	Compact Spring
8	000821-40	Spring Body
9	B-0109-01	6" Wall Bracket
10	004R	Finger Hook
11	078X	3/8" NPT x 8" Riser
12	011278-25	Quarter-Turn Cerama Cartridge, RTC
13	012394-25	Quarter-Turn Cerama Cartridge, RTC w/ Check Valve
14	012395-25	Quarter-Turn Cerama Cartridge, LTC w/ Check Valve
15	001066-45	O-Ring
16	009304-41	Decorative Cap Insert, Cold
17	009331-41	Decorative Club Handle - Cold
18	000965-45	Lock Nut
19	002290-45	Lock Washer
20	012534-45	18" Flexible Supply Hose (2)
21	000922-45	Lever Handle Screw
22	009332-41	Decorative Club Handle - Hot
23	009303-41	Decorative Cap Insert, Hot
24	017181-41	Decorative Club Handle - Blank
25	009285-40	Cap Insert Blank
26	B-PT	Stream Regulator Outlet
27	001048-45	Nozzle Tip Washer
28	060X	8" Swing Nozzle
29	EZ-K	EasyInstall Kit: Nut, Bushing, O-Ring & Lock Washer
30	001065-45	O-Ring
31	014200-45	Star Washer, Anti-Rotation

**Product Specifications:**

Pre-Rinse Unit: EasyInstall Single Hole Deck Mount Mixing Faucet, Quarter-Turn Cerama Cartridges w/ Check Valves, Club Handles, Add-On Faucet w/ 8" Swing Nozzle, Compact Spring, 24" Flexible Stainless Steel Hose, 1.42 GPM Spray Valve, 6" Wall Bracket & 18" Flexible Supply Hoses

**Product Compliance:**

ASME A112.18.1 / CSA B125.1  
NSF 61 - Section 9  
NSF 372 (Low Lead Content)  
EPA Act 2005 (PRSV)