



T&S BRASS AND BRONZE WORKS, INC.

2 Saddleback Cove / P.O. Box 1088
Travelers Rest, SC 29690

Model No.
MPX-8WCN-08-CR

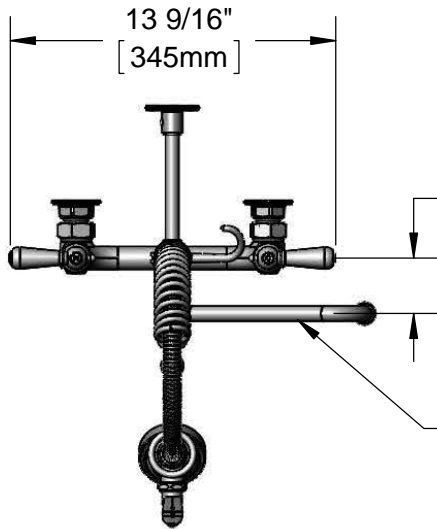
Item No.

Travelers Rest, SC: 800-476-4103 • Simi Valley, CA: 800-423-0150 • Fax: 864-834-3518 • www.tsbrass.com

For Commercial Use Only

This Space for Architect/Engineer Approval

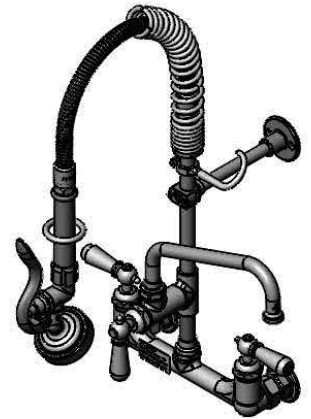
Job Name _____ Date _____
 Model Specified _____ Quantity _____
 Customer/Wholesaler _____
 Contractor _____
 Architect/Engineer _____



2 5/16"
[59mm]

060X
8" Swing Nozzle w/
Stream Regulator
Outlet

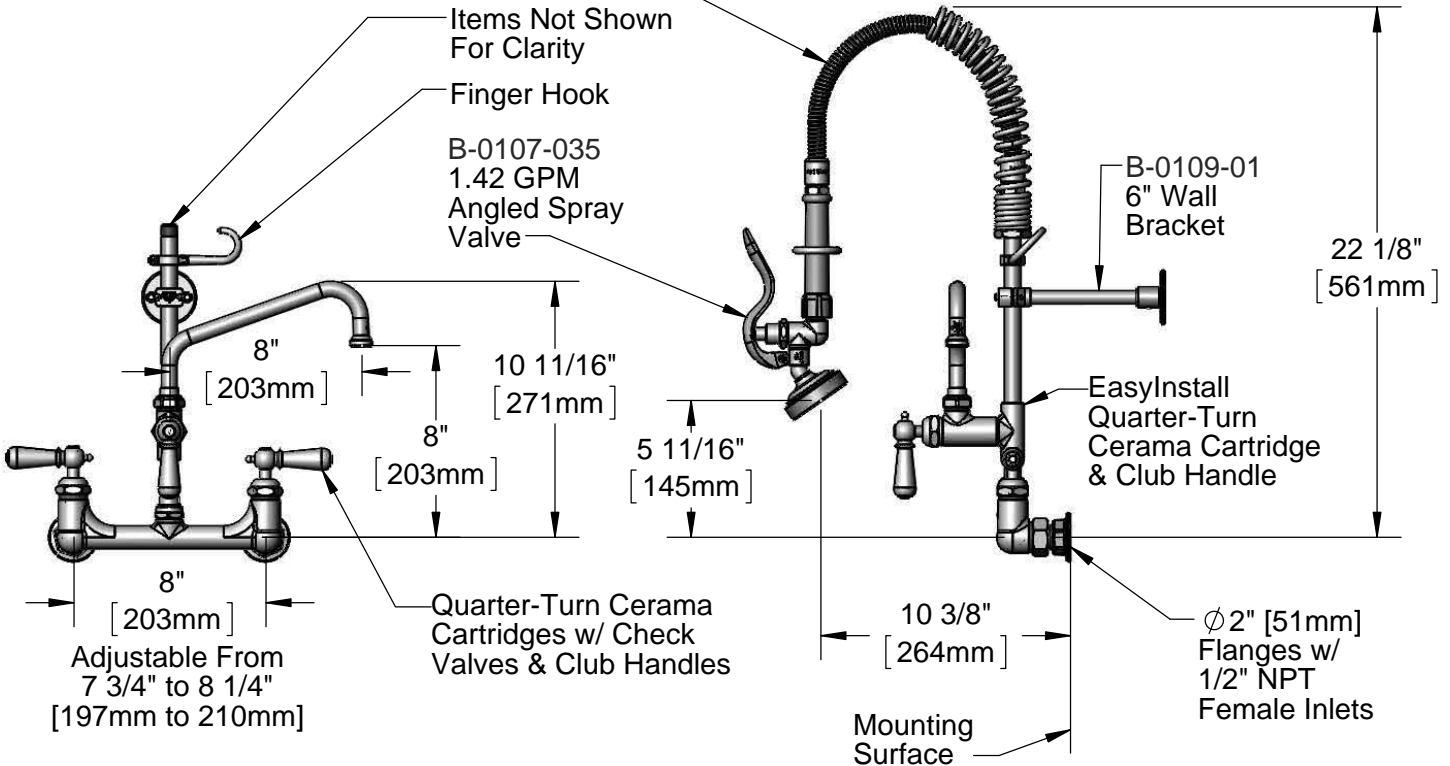
B-0024-H
24" Flexible Stainless
Steel Hose, Spring &
Spray Valve



Items Not Shown
For Clarity

Finger Hook

B-0107-035
1.42 GPM
Angled Spray
Valve



Product Specifications:

Pre-Rinse Unit: EasyInstall 8" Wall Mount Faucet, Quarter-Turn Cerama Cartridges, Club Handles, Add-On Faucet w/ 8" Swing Nozzle, Compact Spring, 24" Flexible Stainless Steel Hose, 1.42 GPM Angled Spray Valve, 6" Wall Bracket & 1/2" NPT Female Inlets

Product Compliance:

ASME A112.18.1 / CSA B125.1
NSF 61 - Section 9
NSF 372 (Low Lead Content)
EPA 2005 (PRSV)



T&S BRASS AND BRONZE WORKS, INC.

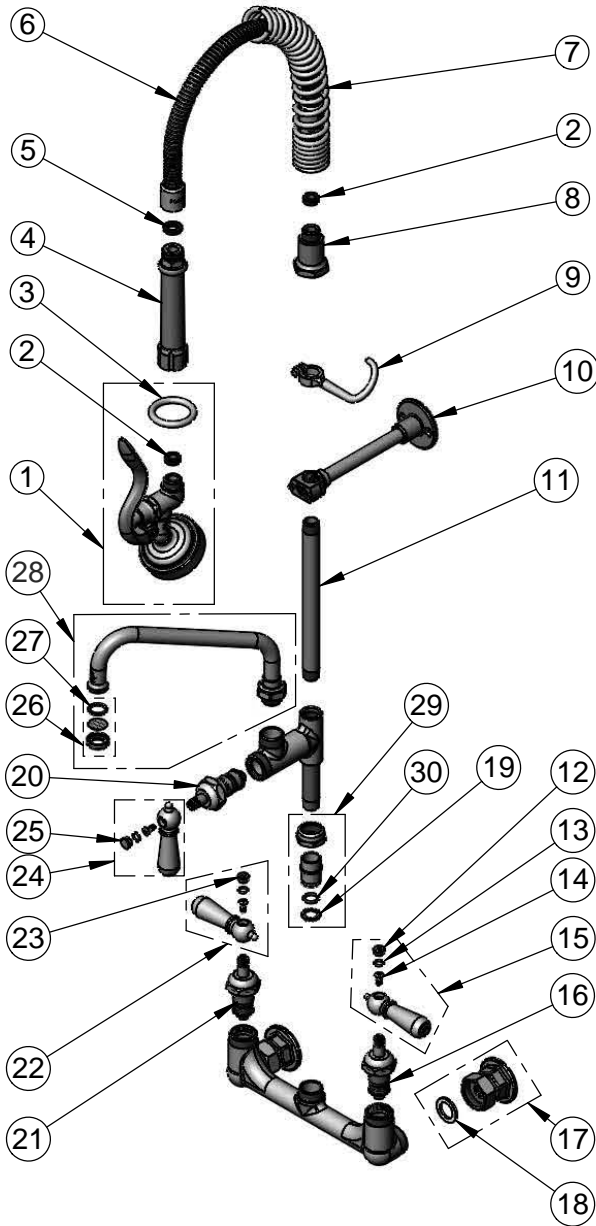
2 Saddleback Cove / P.O. Box 1088
Travelers Rest, SC 29690

Model No.

MPX-8WCN-08-CR

Item No.

Travelers Rest, SC: 800-476-4103 • Simi Valley, CA: 800-423-0150 • Fax: 864-834-3518 • www.tsbrass.com



ITEM NO.	SALES NO.	DESCRIPTION
1	B-0107-035	1.42 GPM Angled Spray Valve
2	010476-45	#27 Washer
3	000907-45	Spray Valve Hold Down Ring
4	002987-40	Grip Handle
5	001014-45	Washer, B-0100 Hose Barrel
6	B-0024-H2A	24" Flexible Stainless Steel Hose, less Handle
7	016795-45	Compact Spring
8	000821-40	Spring Body
9	004R	Finger Hook
10	B-0109-01	6" Wall Bracket
11	078X	3/8" NPT x 8" Riser
12	009304-41	Decorative Cap Insert, Cold
13	001066-45	O-Ring
14	000922-45	Lever Handle Screw
15	009331-41	Decorative Club Handle - Cold
16	012395-25	Quarter-Turn Cerama Cartridge, LTC w/ Check Valve
17	00AA	1/2" NPT Female Eccentric Flange
18	001019-45	Coupling Nut Washer
19	014200-45	Star Washer, Anti-Rotation
20	011278-25	Quarter-Turn Cerama Cartridge, RTC
21	012394-25	Quarter-Turn Cerama Cartridge, RTC w/ Check Valve
22	009332-41	Decorative Club Handle - Hot
23	009303-41	Decorative Cap Insert, Hot
24	017181-41	Decorative Club Handle - Blank
25	009285-40	Cap Insert Blank
26	B-PT	Stream Regulator Outlet
27	001048-45	Nozzle Tip Washer
28	060X	8" Swing Nozzle
29	EZ-K	EasyInstall Kit: Nut, Bushing, O-Ring & Lock Washer
30	001065-45	O-Ring

Product Specifications:

Pre-Rinse Unit: EasyInstall 8" Wall Mount Faucet, Quarter-Turn Cerama Cartridges, Club Handles, Add-On Faucet w/ 8" Swing Nozzle, Compact Spring, 24" Flexible Stainless Steel Hose, 1.42 GPM Angled Spray Valve, 6" Wall Bracket & 1/2" NPT Female Inlets

Product Compliance:

ASME A112.18.1 / CSA B125.1
NSF 61 - Section 9
NSF 372 (Low Lead Content)
EPA Act 2005 (PRSV)