



**T&S BRASS AND BRONZE WORKS, INC.**  
 2 Saddleback Cove / P.O. Box 1088  
 Travelers Rest, SC 29690

Model No.  
**MPY-2DLV-08-CR**

Item No.

Travelers Rest, SC: 800-476-4103 • Simi Valley, CA: 800-423-0150 • Fax: 864-834-3518 • www.tsbrass.com

This Space for Architect/Engineer Approval

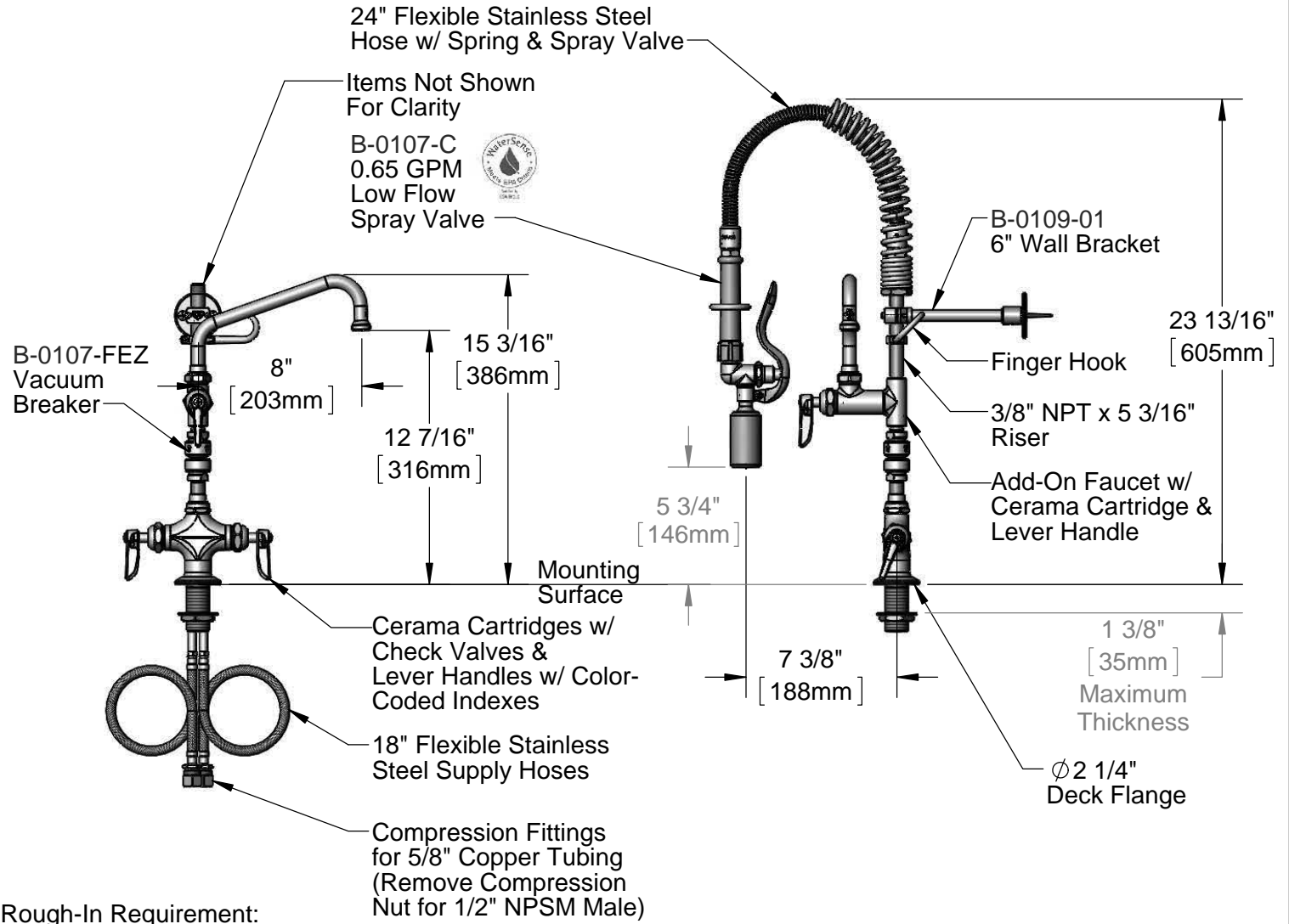
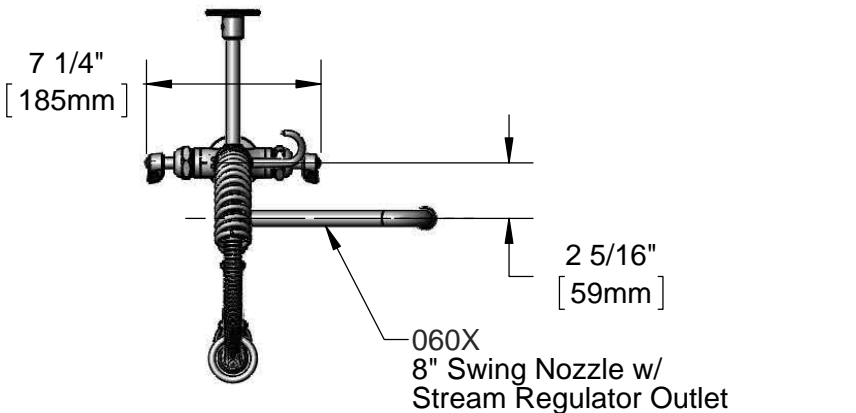
Job Name \_\_\_\_\_ Date \_\_\_\_\_

Model Specified \_\_\_\_\_ Quantity \_\_\_\_\_

Customer/Wholesaler \_\_\_\_\_

Contractor \_\_\_\_\_

Architect/Engineer \_\_\_\_\_



Rough-In Requirement:  
 Ø 1 1/2" [Ø 38mm] Mounting Hole

Product Specifications:  
 Pre-Rinse Unit EasyInstall:  
 Single Hole Deck Mount Mixing Faucet, Cerama Cartridges w/ Check  
 Valves, Lever Handles, Add-On Faucet w/ 8" Swing Nozzle, Vacuum  
 Breaker, Compact Spring, 24" Flexible Stainless Steel Hose,  
 0.65 GPM Low Flow Spray Valve, 6" Wall Bracket & Flexible Supply Hoses

Product Compliance:  
 ASME A112.18.1 / CSA B125.1  
 NSF 61 - Section 9  
 NSF 372 (Low Lead Content)  
 EPA Act 2005 (PRSV)  
 EPA WaterSense (PRSV)



# T&S BRASS AND BRONZE WORKS, INC.

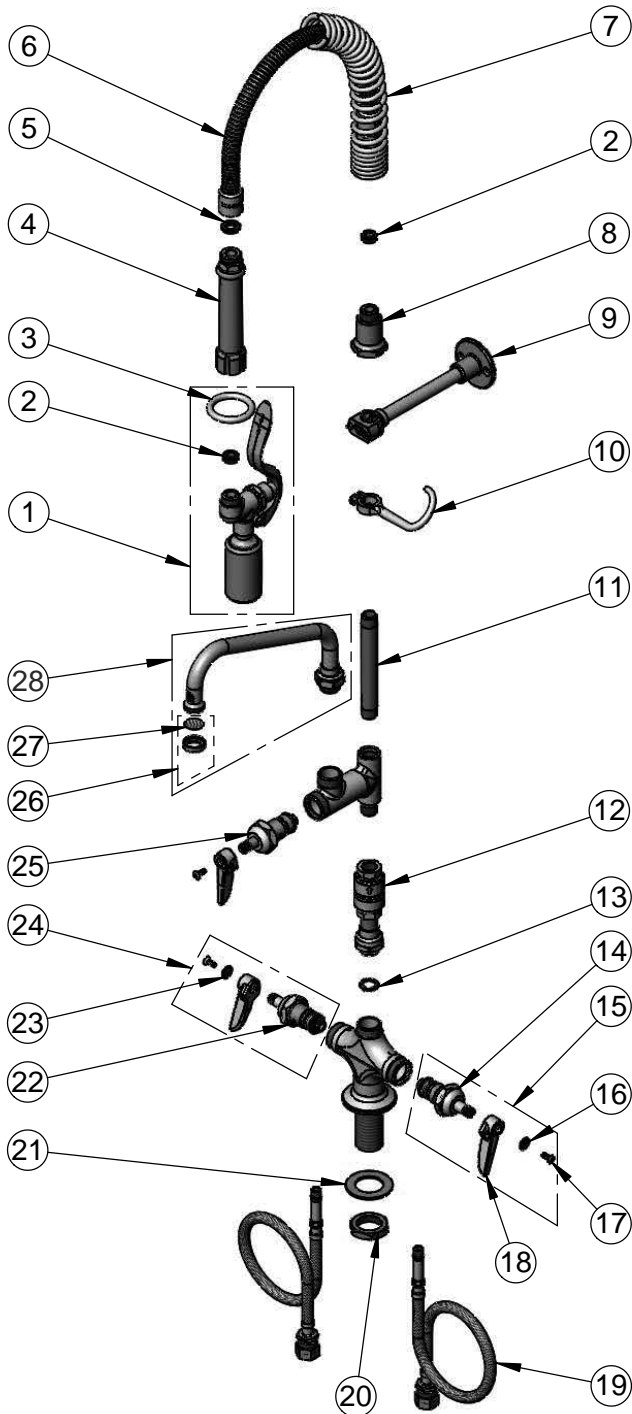
2 Saddleback Cove / P.O. Box 1088  
Travelers Rest, SC 29690

Model No.

**MPY-2DLV-08-CR**

Item No.

Travelers Rest, SC: 800-476-4103 • Simi Valley, CA: 800-423-0150 • Fax: 864-834-3518 • www.tsbrass.com



| ITEM NO. | SALES NO.  | DESCRIPTION                                                 |
|----------|------------|-------------------------------------------------------------|
| 1        | B-0107-C   | 0.65 GPM Low Flow Spray Valve                               |
| 2        | 010476-45  | #27 Washer                                                  |
| 3        | 000907-45  | Spray Valve Hold Down Ring                                  |
| 4        | 002987-40  | Grip Handle                                                 |
| 5        | 001014-45  | Washer, B-0100 Hose Barrel                                  |
| 6        | B-0024-H2A | 24" Flexible Stainless Steel Hose                           |
| 7        | 016795-45  | Compact Spring                                              |
| 8        | 000821-40  | Spring Body                                                 |
| 9        | B-0109-01  | 6" Wall Bracket                                             |
| 10       | 004R       | Finger Hook                                                 |
| 11       | 001617-40  | 3/8" NPT x 5 3/16" Riser                                    |
| 12       | B-0970-FEZ | EasyInstall Vacuum Breaker                                  |
| 13       | 014200-45  | Star Washer, Anti-Rotation                                  |
| 14       | 012395-25  | Cerama Cartridge, RTC                                       |
| 15       | 012447-25  | Cerama Cartridge, LTC w/ Check Valve, Handle, Index & Screw |
| 16       | 001660-45  | Blue Index-CW                                               |
| 17       | 000922-45  | Lever Handle Screw                                          |
| 18       | 001638-45  | Lever Handle                                                |
| 19       | 012534-45  | 18" Flexible Supply Hose (2)                                |
| 20       | 000965-45  | Lock Nut                                                    |
| 21       | 002290-45  | Lock Washer                                                 |
| 22       | 012394-25  | Cerama Cartridge, RTC w/ Check Valve                        |
| 23       | 001661-45  | Red Index-HW                                                |
| 24       | 012446-25  | Cerama Cartridge, RTC w/ Check Valve, Handle, Index & Screw |
| 25       | 011278-25  | Cerama Cartridge, RTC                                       |
| 26       | B-PT       | Stream Regulator Outlet                                     |
| 27       | 001048-45  | Nozzle Tip Washer                                           |
| 28       | 060X       | 8" Swing Nozzle                                             |

**Product Specifications:**

Pre-Rinse Unit EasyInstall:  
Single Hole Deck Mount Mixing Faucet, Cerama Cartridges w/ Check Valves, Lever Handles, Add-On Faucet w/ 8" Swing Nozzle, Vacuum Breaker, Compact Spring, 24" Flexible Stainless Steel Hose, 0.65 GPM Low Flow Spray Valve, 6" Wall Bracket & Flexible Supply Hoses

**Product Compliance:**

ASME A112.18.1 / CSA B125.1  
NSF 61 - Section 9  
NSF 372 (Low Lead Content)  
EPA Act 2005 (PRSV)  
EPA WaterSense (PRSV)