



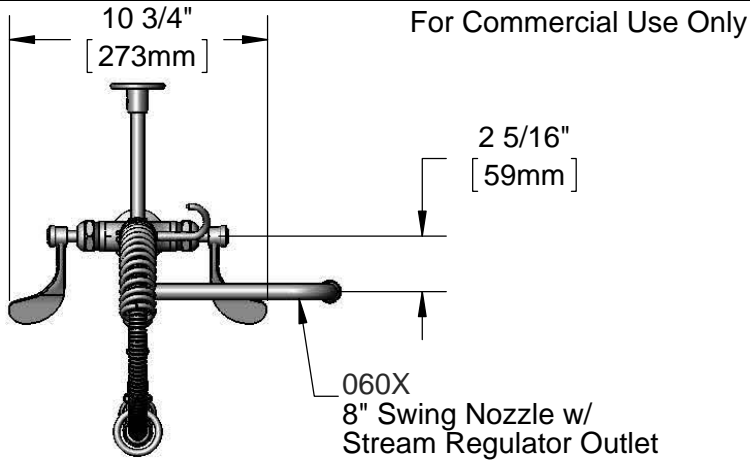
T&S BRASS AND BRONZE WORKS, INC.

2 Saddleback Cove / P.O. Box 1088
Travelers Rest, SC 29690

Model No.
MPY-2DWV-08-CR

Item No.

Travelers Rest, SC: 800-476-4103 • Simi Valley, CA: 800-423-0150 • Fax: 864-834-3518 • www.tsbrass.com



For Commercial Use Only

This Space for Architect/Engineer Approval

Job Name _____ Date _____

Model Specified _____ Quantity _____

Customer/Wholesaler _____

Contractor _____

Architect/Engineer _____

060X
8" Swing Nozzle w/
Stream Regulator Outlet

24" Flexible Stainless
Steel Hose w/ Spring &
Spray Valve

Items Not Shown
For Clarity

B-0107-C
0.65 GPM Low
Flow Spray Valve



B-0109-01
6" Wall
Bracket



B-0970-FEZ
Vacuum
Breaker

8"
[203mm]

15 3/16"
[386mm]

12 7/16"
[316mm]

5 11/16"
[145mm]

23 13/16"
[605mm]

Finger
Hook

Add-On Faucet w/
Quarter-Turn
Cerama Cartridge
w/ Wrist Action
Handle

Mounting Surface

Ø2 1/4"
[57mm]

Quarter-Turn Cerama
Cartridges w/ Check
Valves & Wrist Action
Handles w/ Color Coded
Indexes

18" Flexible Stainless
Steel Supply Hoses

Compression Fittings
for 5/8" Copper Tubing
(Remove Compression
Nut for 1/2" NPSM Male)

7 3/8"
[188mm]

1 3/8"
[35mm]
Maximum
Thickness

Rough-In Requirement:
Ø1 1/2" [38mm] Mounting Hole

Product Specifications:

Pre-Rinse Unit: EasyInstall Single Hole Deck Mount ixing Faucet, Quarter-Turn Cerama Cartridges w/ Check Valves, Wrist Action Handles, Add-On Faucet w/ 8" Swing Nozzle, Vacuum Breaker, Compact Spring, 24" Flexible Stainless Steel Hose, 0.65 GPM Low Flow Spray Valve, 6" Wall Bracket & (2) Flexible Supply Hoses

Product Compliance:

ASME A112.18.1 / CSA B125.1
NSF 61 - Section 9
NSF 372 (Low Lead Content)
EPA Act 2005 (PRSV)
EPA WaterSense (PRSV)
CSA B64.8 (VB)



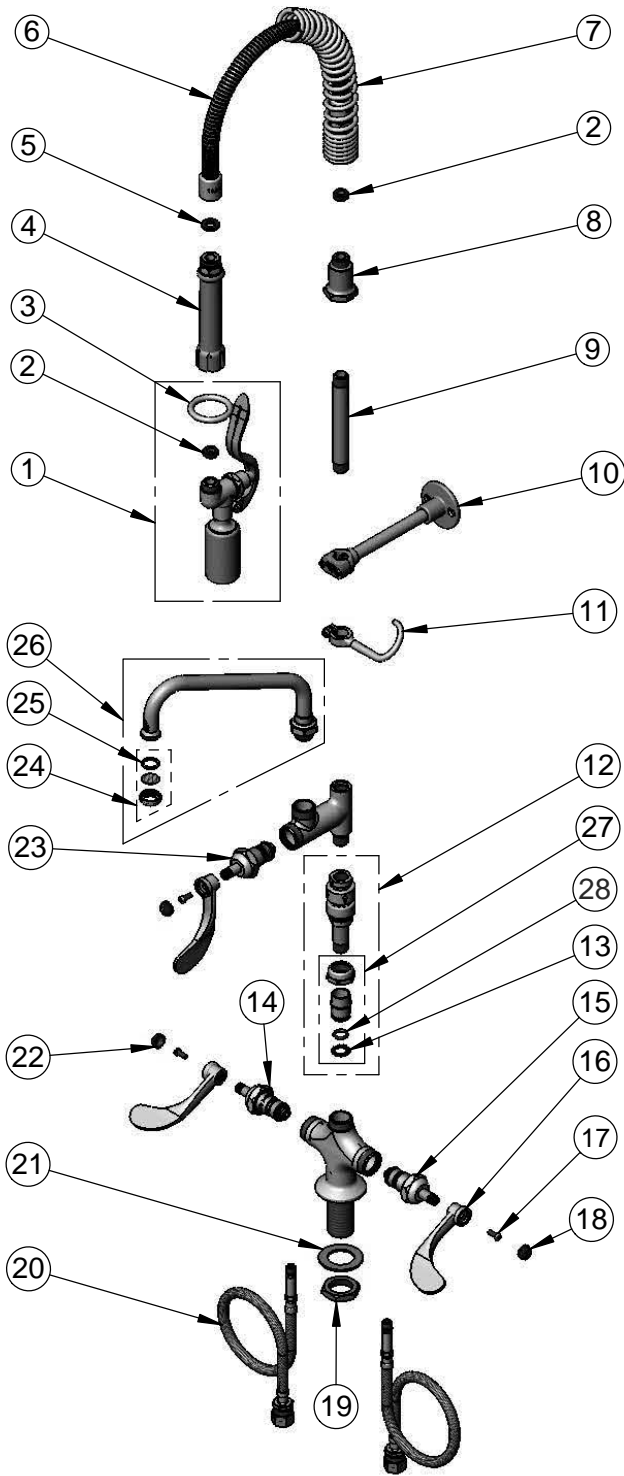
T&S BRASS AND BRONZE WORKS, INC.

2 Saddleback Cove / P.O. Box 1088
Travelers Rest, SC 29690

Model No.
MPY-2DWV-08-CR

Item No.

Travelers Rest, SC: 800-476-4103 • Simi Valley, CA: 800-423-0150 • Fax: 864-834-3518 • www.tsbrass.com



ITEM NO.	SALES NO.	DESCRIPTION
1	B-0107-C	0.65 GPM Low Flow Spray Valve
2	010476-45	#27 Washer
3	000907-45	Spray Valve Hold Down Ring
4	002987-40	Grip Handle
5	001014-45	Washer, B-0100 Hose Barrel
6	B-0024-H2A	24" Flexible Stainless Steel Hose, Less Handle
7	016795-45	Compact Spring
8	000821-40	Spring Body
9	001617-40	3/8" NPT X 5-3/16" Riser
10	B-0109-01	6" Wall Bracket
11	004R	Finger Hook
12	B-0970-FEZ	EasyInstall Vacuum Breaker
13	014200-45	Star Washer, Anti-Rotation
14	012394-25	Quarter-Turn Cerama Cartridge, RTC w/ Check Valve
15	012395-25	Quarter-Turn Cerama Cartridge, LTC w/ Check Valve
16	B-WH4	4" Wrist Action Handle
17	000925-45	Lab Handle Screw
18	001686-45	Blue Index - CW
19	000965-45	Lock Nut
20	012436-45	18" Flexible Connector Hose (2)
21	002290-45	Lock Washer
22	001194-45	Red Index - HW
23	011278-25	Quarter-Turn Cerama Cartridge, RTC
24	B-PT	Stream Regulator Outlet
25	001048-45	Nozzle Tip Washer
26	060X	8" Swing Nozzle
27	EZ-K	EasyInstall Kit: Nut, Bushing, O-Ring & Lock Washer
28	001065-45	O-Ring

Product Specifications:

Pre-Rinse Unit: EasyInstall Single Hole Deck Mount Fixing Faucet, Quarter-Turn Cerama Cartridges w/ Check Valves, Wrist Action Handles, Add-On Faucet w/ 8" Swing Nozzle, Vacuum Breaker, Compact Spring, 24" Flexible Stainless Steel Hose, 0.65 GPM Low Flow Spray Valve, 6" Wall Bracket & (2) Flexible Supply Hoses

Product Compliance:

ASME A112.18.1 / CSA B125.1
NSF 61 - Section 9
NSF 372 (Low Lead Content)
EPA Act 2005 (PRSV)
EPA WaterSense (PRSV)
CSA B64.8 (VB)