



T&S BRASS AND BRONZE WORKS, INC.

2 Saddleback Cove / P.O. Box 1088
Travelers Rest, SC 29690

Model No.

MPY-8DLN-08

Item No.

Travelers Rest, SC: 800-476-4103 • Simi Valley, CA: 800-423-0150 • Fax: 864-834-3518 • www.tsbrass.com

For Commercial Use Only

This Space for Architect/Engineer Approval

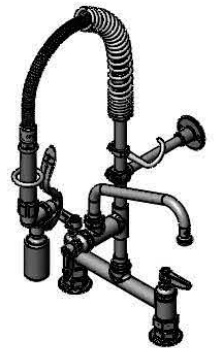
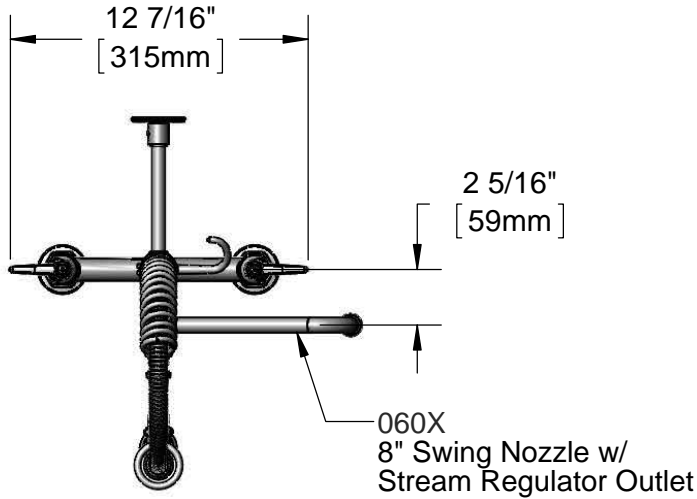
Job Name _____ Date _____

Model Specified _____ Quantity _____

Customer/Wholesaler _____

Contractor _____

Architect/Engineer _____



24" Flexible Stainless
Steel Hose w/ Spring
& Spray Valve

Items Not Shown
For Clarity

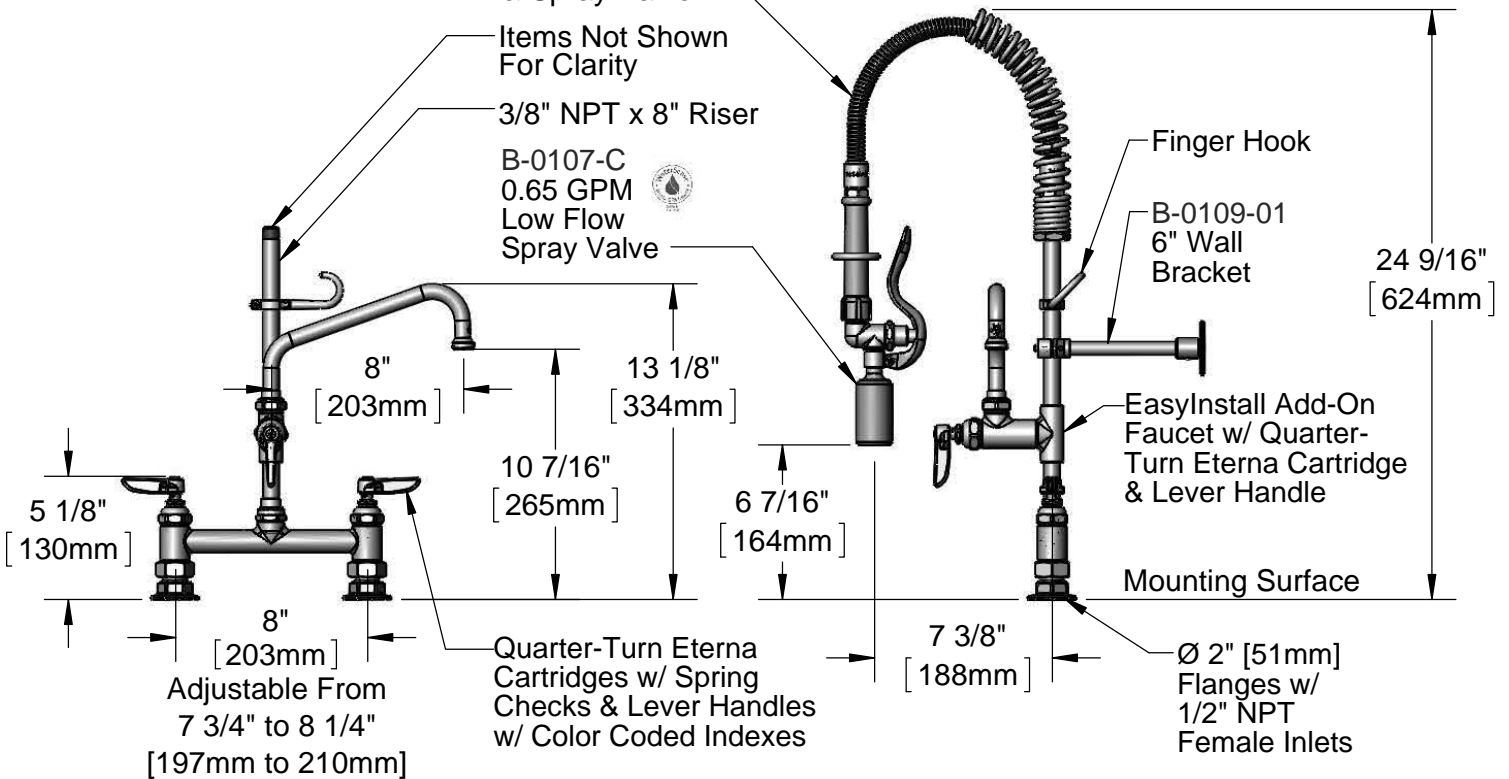
3/8" NPT x 8" Riser

B-0107-C
0.65 GPM
Low Flow
Spray Valve

Finger Hook

B-0109-01
6" Wall
Bracket

24 9/16"
[624mm]



Product Specifications:

Pre-Rinse Unit: EasyInstall 8" Deck Mount Mixing Faucet, Quarter-Turn Eterna Cartridges w/ Spring Checks, Lever Handles, Add-On Faucet w/ 8" Swing Nozzle, Compact Spring, 24" Flexible Stainless Steel Hose, 0.65 GPM Low Flow Spray Valve, 6" Wall Bracket & 1/2" NPT Female Inlets

Product Compliance:

ASME A112.18.1 / CSA B125.1
NSF 61 - Section 9
NSF 372 (Low Lead Content)
EPA Act 2005 (PRSV)
EPA WaterSense (PRSV)



T&S BRASS AND BRONZE WORKS, INC.

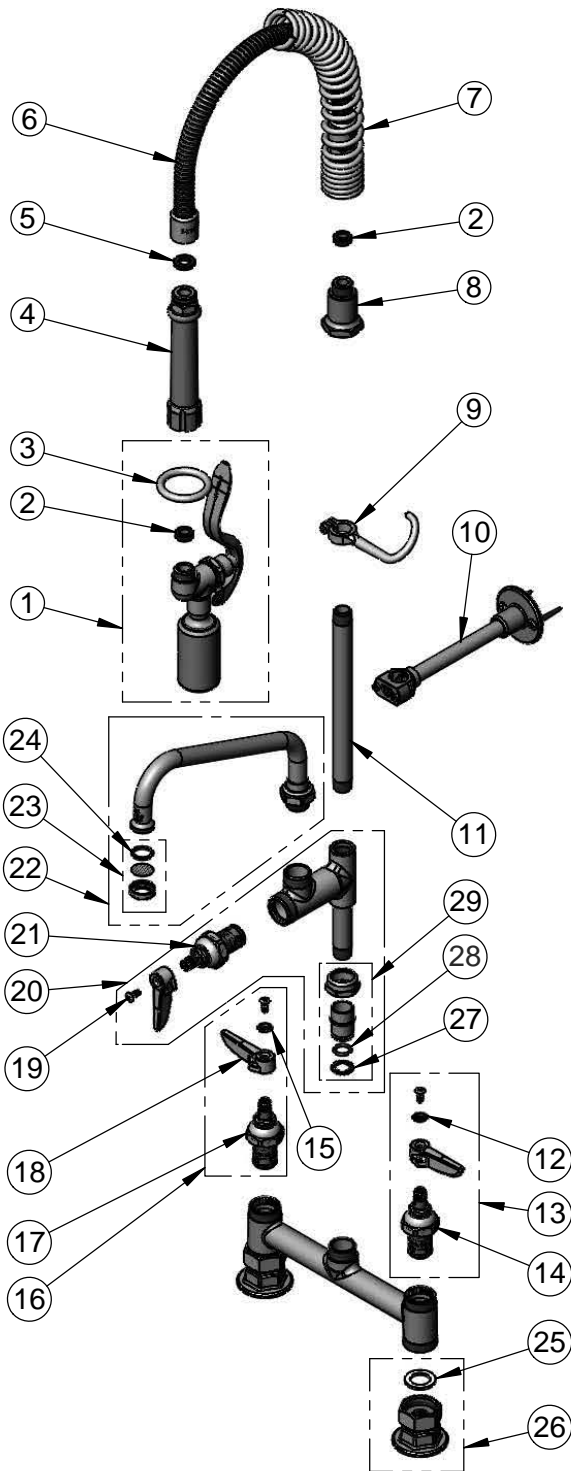
2 Saddleback Cove / P.O. Box 1088
Travelers Rest, SC 29690

Model No.

MPY-8DLN-08

Item No.

Travelers Rest, SC: 800-476-4103 • Simi Valley, CA: 800-423-0150 • Fax: 864-834-3518 • www.tsbrass.com



ITEM NO.	SALES NO.	DESCRIPTION
1	B-0107-C	0.65 GPM Low Flow Spray Valve
2	010476-45	#27 Washer
3	000907-45	Spray Valve Hold Down Ring
4	002987-40	Grip Handle
5	001014-45	Washer, B-0100 Hose Barrel
6	B-0024-H2A	24" Flexible Stainless Steel Hose, Less Handle
7	016795-45	Compact Spring
8	000821-40	Spring Body
9	004R	Finger Hook
10	B-0109-01	6" Wall Bracket
11	078X	3/8" NPT x 8" Riser
12	001660-45	Blue Index-CW
13	002711-40	Quarter-Turn Eterna Cartridge, LTC w/ Spring Check, Handle, Index & Screw
14	012442-40	Quarter-Turn Eterna Cartridge, LTC w/ Spring Check
15	001661-45	Red Index-HW
16	002712-40	Quarter-Turn Eterna Cartridge, RTC w/ Spring Check, Handle, Index & Screw
17	012443-40	Quarter-Turn Eterna Cartridge, RTC w/ Spring Check
18	001638-45	Lever Handle
19	000922-45	Lever Handle Screw
20	B-0155-LNEZ	EasyInstall Add-On Faucet, Less Nozzle
21	005960-40QT	Quarter-Turn Eterna Cartridge, RTC
22	060X	8" Swing Nozzle
23	B-PT	Stream Regulator Outlet
24	001048-45	Nozzle Tip Washer
25	001019-45	Coupling Nut Washer
26	00AA	1/2" NPT Female Eccentric Flange
27	014200-45	Star Washer, Anti-Rotation
28	001065-45	O-Ring
29	EZ-K	EasyInstall Kit: Nut, Bushing, O-Ring & Lock Washer

Product Specifications:

Pre-Rinse Unit: EasyInstall 8" Deck Mount Mixing Faucet, Quarter-Turn Eterna Cartridges w/ Spring Checks, Lever Handles, Add-On Faucet w/ 8" Swing Nozzle, Compact Spring, 24" Flexible Stainless Steel Hose, 0.65 GPM Low Flow Spray Valve, 6" Wall Bracket & 1/2" NPT Female Inlets

Product Compliance:

ASME A112.18.1 / CSA B125.1
NSF 61 - Section 9
NSF 372 (Low Lead Content)
EPA Act 2005 (PRSV)
EPA WaterSense (PRSV)