



# T&S BRASS AND BRONZE WORKS, INC.

2 Saddleback Cove / P.O. Box 1088  
Travelers Rest, SC 29690

Model No.

**MPZ-2DCN-08-CR**

Item No.

Travelers Rest, SC: 800-476-4103 • Simi Valley, CA: 800-423-0150 • Fax: 864-834-3518 • www.tsbrass.com

For Commercial Use Only

This Space for Architect/Engineer Approval

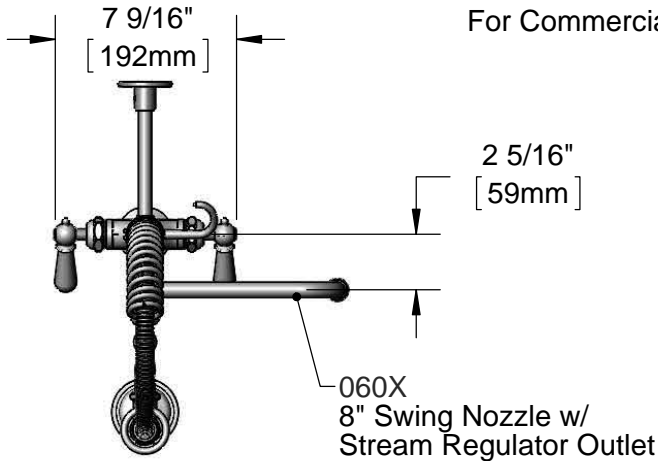
Job Name \_\_\_\_\_ Date \_\_\_\_\_

Model Specified \_\_\_\_\_ Quantity \_\_\_\_\_

Customer/Wholesaler \_\_\_\_\_

Contractor \_\_\_\_\_

Architect/Engineer \_\_\_\_\_



24" Flexible Stainless Steel Hose w/ Spring & Spray Valve

Items Not Shown For Clarity

Finger Hook

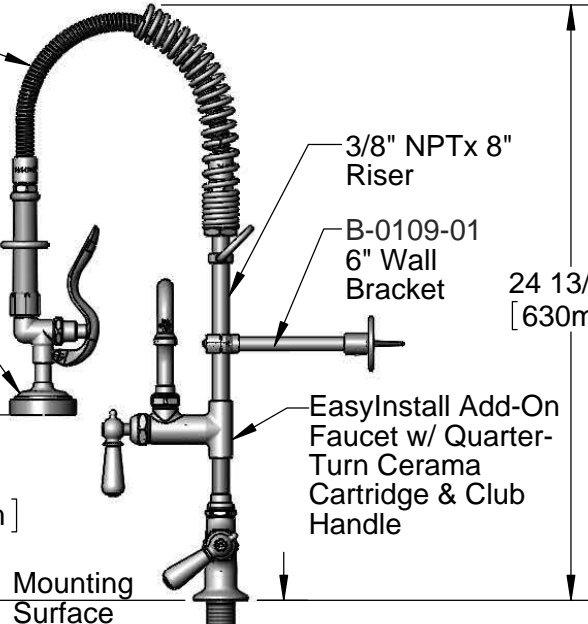
B-0107 1.42 GPM Spray Valve

8" [203mm] (horizontal distance)  
13 3/8" [340mm] (vertical distance)  
10 5/8" [271mm] (vertical distance)

Quarter-Turn Cerama Cartridges w/ Check Valves & Club Handles w/ Indexes

18" Flexible Stainless Steel Supply Hoses

Compression Fittings for 5/8" Copper Tubing (Remove Compression Nut for 1/2" NPSM Male)



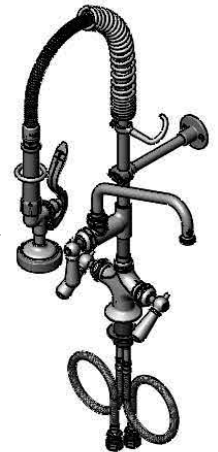
Mounting Surface

3/8" NPT x 8" Riser

B-0109-01 6" Wall Bracket

EasyInstall Add-On Faucet w/ Quarter-Turn Cerama Cartridge & Club Handle

1 3/8" [35mm] Maximum Thickness



**Rough-In Requirement:**  
Ø 1 1/2" [38mm] Mounting Hole

**Product Specifications:**

Pre-Rinse Unit: EasyInstall Single Hole Deck Mount Mixing Faucet, Quarter-Turn Cerama Cartridges, Club Handles, Add-On Faucet w/ 8" Swing Nozzle, Compact Spring, 24" Flexible Stainless Steel Hose, 1.42 GPM Spray Valve, 6" Wall Bracket & 18" Flexible Supply Hoses

**Product Compliance:**

ASME A112.18.1 / CSA B125.1  
NSF 61 - Section 9  
NSF 372 (Low Lead Content)  
EPA 2005 (PRSV)



# T&S BRASS AND BRONZE WORKS, INC.

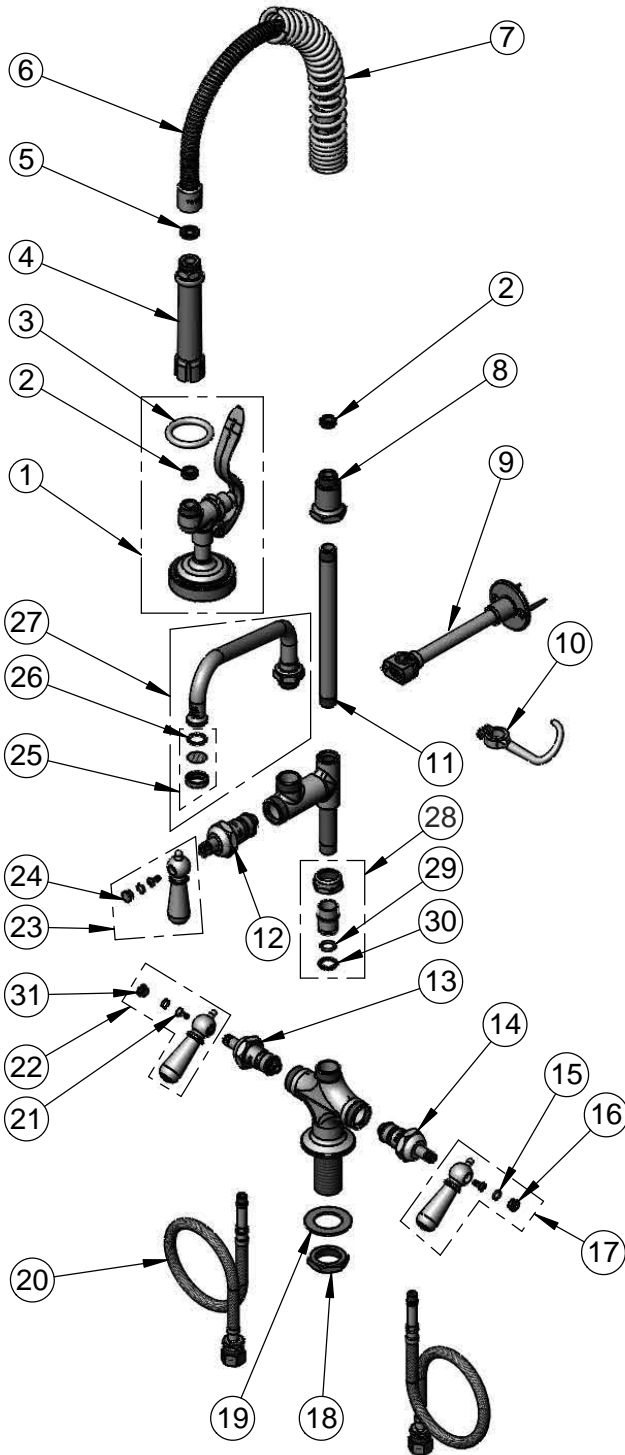
2 Saddleback Cove / P.O. Box 1088  
Travelers Rest, SC 29690

Model No.

**MPZ-2DCN-08-CR**

Item No.

Travelers Rest, SC: 800-476-4103 • Simi Valley, CA: 800-423-0150 • Fax: 864-834-3518 • www.tsbrass.com



ITEM NO.	SALES NO.	DESCRIPTION
1	B-0107	1.42 GPM Spray Valve
2	010476-45	#27 Washer
3	000907-45	Spray Valve Hold Down Ring
4	002987-40	Grip Handle
5	001014-45	Washer, B-0100 Hose Barrel
6	B-0024-H2A	24" Flexible Stainless Steel Hose, Less Handle
7	016795-45	Compact Spring
8	000821-40	Spring Body
9	B-0109-01	6" Wall Bracket
10	004R	Finger Hook
11	078X	3/8" NPT x 8" Riser
12	011278-25	Quarter-Turn Cerama Cartridge, RTC
13	012394-25	Quarter-Turn Cerama Cartridge, RTC w/ Check Valve
14	012395-25	Quarter-Turn Cerama Cartridge, LTC w/ Check Valve
15	001066-45	O-Ring
16	009304-41	Decorative Cap Insert, Cold
17	009331-41	Decorative Club Handle - Cold
18	000965-45	Lock Nut
19	002290-45	Lock Washer
20	012534-45	18" Flexible Supply Hose (2)
21	000922-45	Lever Handle Screw
22	009332-41	Decorative Club Handle - Hot
23	017181-41	Decorative Club Handle - Blank
24	009285-40	Cap Insert Blank
25	B-PT	Stream Regulator Outlet
26	001048-45	Nozzle Tip Washer
27	060X	8" Swing Nozzle
28	EZ-K	EasyInstall Kit: Nut, Bushing, O-Ring & Lock Washer
29	001065-45	O-Ring
30	014200-45	Star Washer, Anti-Rotation
31	009303-41	Decorative Cap Insert, Hot

**Product Specifications:**

Pre-Rinse Unit: EasyInstall Single Hole Deck Mount Mixing Faucet, Quarter-Turn Cerama Cartridges, Club Handles, Add-On Faucet w/ 8" Swing Nozzle, Compact Spring, 24" Flexible Stainless Steel Hose, 1.42 GPM Spray Valve, 6" Wall Bracket & 18" Flexible Supply Hoses

**Product Compliance:**

ASME A112.18.1 / CSA B125.1  
NSF 61 - Section 9  
NSF 372 (Low Lead Content)  
EPA Act 2005 (PRSV)