



T&S BRASS AND BRONZE WORKS, INC.

2 Saddleback Cove / P.O. Box 1088
Travelers Rest, SC 29690

Model No.

MPZ-2DLN-06-CR

Item No.

Travelers Rest, SC: 800-476-4103 • Simi Valley, CA: 800-423-0150 • Fax: 864-834-3518 • www.tsbrass.com

For Commercial Use Only

This Space for Architect/Engineer Approval

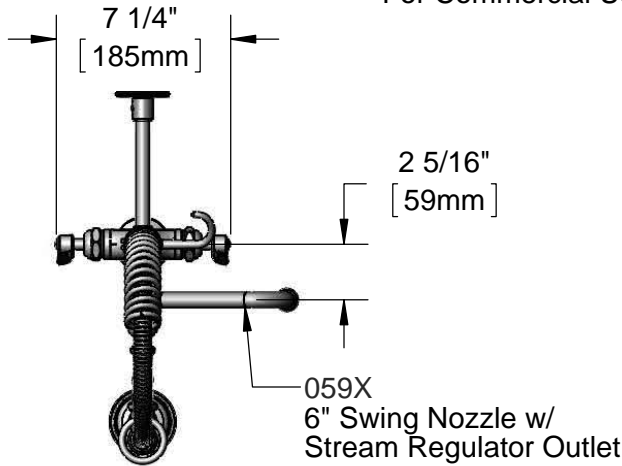
Job Name _____ Date _____

Model Specified _____ Quantity _____

Customer/Wholesaler _____

Contractor _____

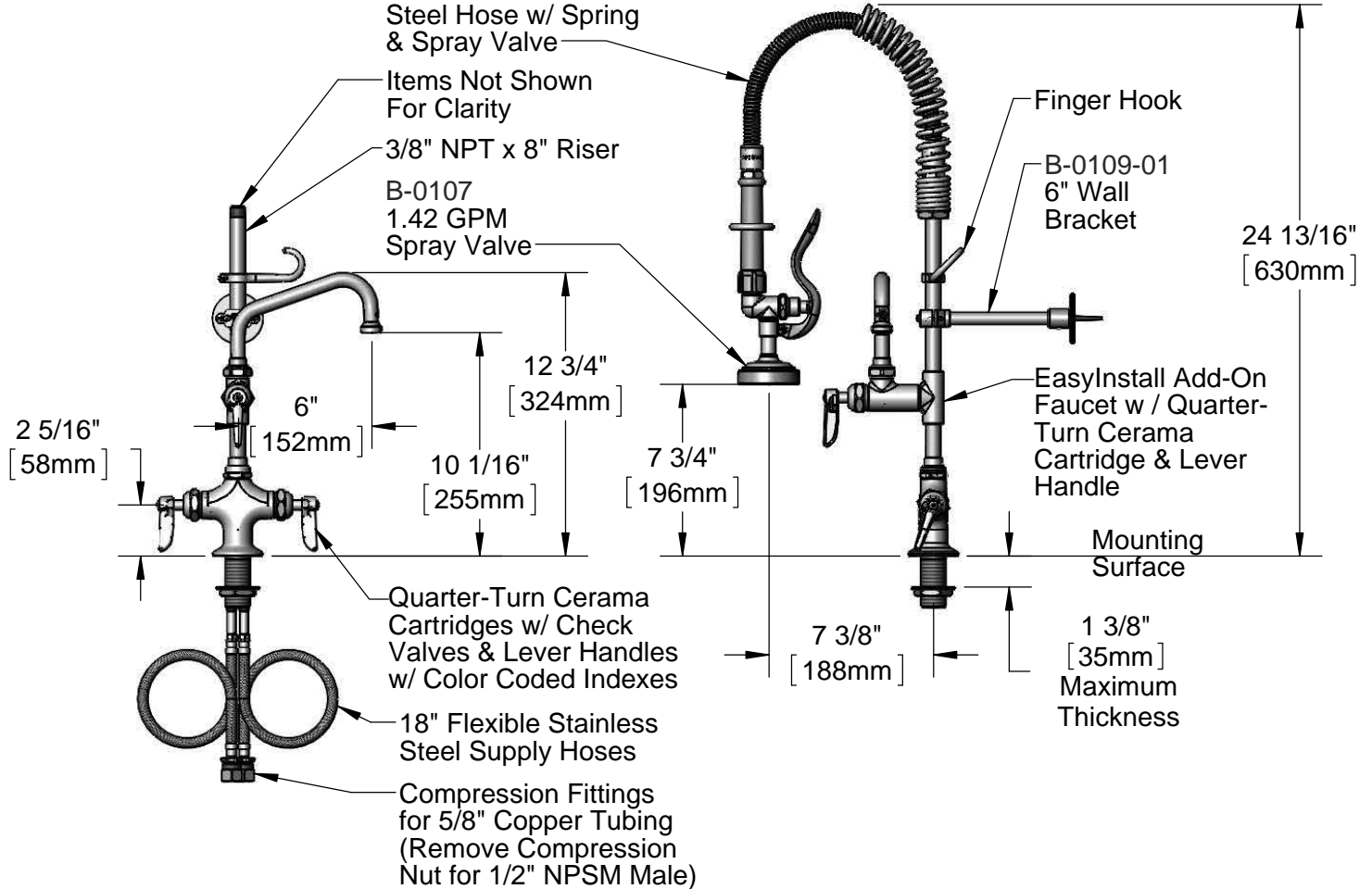
Architect/Engineer _____



059X
6" Swing Nozzle w/
Stream Regulator Outlet

24" Flexible Stainless
Steel Hose w/ Spring
& Spray Valve

Items Not Shown
For Clarity
3/8" NPT x 8" Riser
B-0107
1.42 GPM
Spray Valve



Rough-In Requirement:
Ø 1 1/2" [38mm] Mounting Hole

Product Specifications:

Pre-Rinse Unit: EasyInstall Single Deck Mount Mixing Faucet, Quarter-Turn Cerama Cartridges w/ Check Valves, Lever Handles, Add-On Faucet w/ 6" Swing Nozzle, Compact Spring, 24" Flexible Stainless Steel Hose, 1.42 GPM Spray Valve, 6" Wall Bracket & (2) 18" Flexible Supply Hoses

Product Compliance:

ASME A112.18.1 / CSA B125.1
NSF 61 - Section 9
NSF 372 (Low Lead Content)
EPA Act 2005 (PRSV)



T&S BRASS AND BRONZE WORKS, INC.

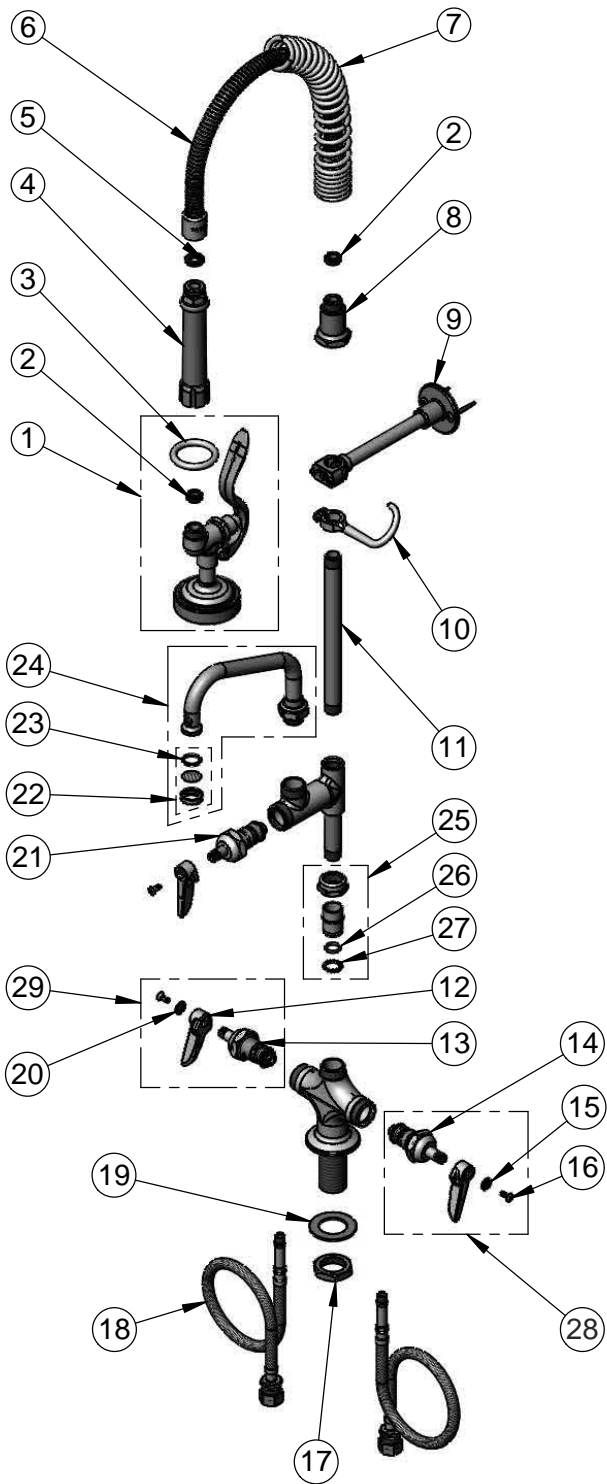
2 Saddleback Cove / P.O. Box 1088
Travelers Rest, SC 29690

Model No.

MPZ-2DLN-06-CR

Item No.

Travelers Rest, SC: 800-476-4103 • Simi Valley, CA: 800-423-0150 • Fax: 864-834-3518 • www.tsbrass.com



ITEM NO.	SALES NO.	DESCRIPTION
1	B-0107	1.42 GPM Spray Valve
2	010476-45	#27 Washer
3	000907-45	Spray Valve Hold Down Ring
4	002987-40	Grip Handle
5	001014-45	Washer, B-0100 Hose Barrel
6	B-0024-H2A	24" Flexible Stainless Steel Hose, Less Handle
7	016795-45	Compact Spring
8	000821-40	Spring Body
9	B-0109-01	6" Wall Bracket
10	004R	Finger Hook
11	000364-40	3/8" NPT x 8" Nipple
12	001638-45	Lever Handle
13	012394-25	Quarter-Turn Cerama Cartridge, RTC w/ Check Valve
14	012395-25	Quarter-Turn Cerama Cartridge, LTC w/ Check Valve
15	001660-45	Blue Index-CW
16	000922-45	Lever Handle Screw
17	000965-45	Lock Nut
18	012534-45	18" Flexible Supply Hose (2)
19	002290-45	Lock Washer
20	001661-45	Red Index-HW
21	011278-25	Quarter-Turn Cerama Cartridge, RTC
22	B-PT	Stream Regulator Outlet
23	001048-45	Nozzle Tip Washer
24	059X	6" Swing Nozzle
25	EZ-K	EasyInstall Kit: Nut, Bushing, O-Ring & Lock Washer
26	001065-45	O-Ring
27	014200-45	Star Washer, Anti-Rotation
28	012447-25	Quarter-Turn Cerama Cartridge, LTC w/ Check Valve, Handle, Index & Screw
29	012446-25	Quarter-Turn Cerama Cartridge, RTC w/ Check Valve, Handle, Index & Screw

Product Specifications:

Pre-Rinse Unit: EasyInstall Single Deck Mount Mixing Faucet, Quarter-Turn Cerama Cartridges w/ Check Valves, Lever Handles, Add-On Faucet w/ 6" Swing Nozzle, Compact Spring, 24" Flexible Stainless Steel Hose, 1.42 GPM Spray Valve, 6" Wall Bracket & (2) 18" Flexible Supply Hoses

Product Compliance:

ASME A112.18.1 / CSA B125.1
NSF 61 - Section 9
NSF 372 (Low Lead Content)
EPA Act 2005 (PRSV)