



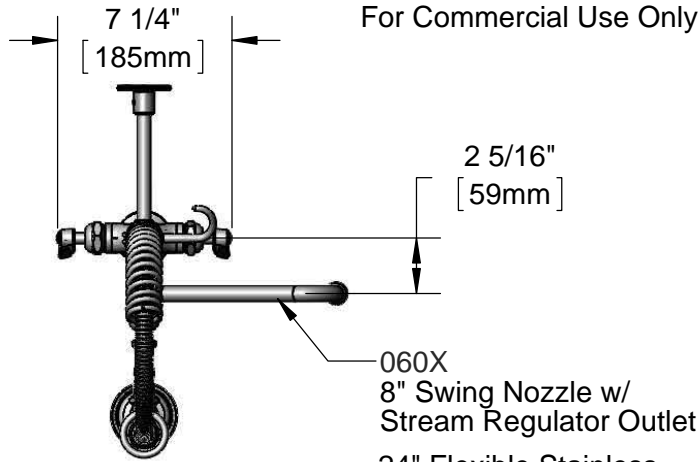
# T&S BRASS AND BRONZE WORKS, INC.

2 Saddleback Cove / P.O. Box 1088  
Travelers Rest, SC 29690

Model No.  
**MPZ-2DLN-08-CRF**

Item No.

Travelers Rest, SC: 800-476-4103 • Simi Valley, CA: 800-423-0150 • Fax: 864-834-3518 • www.tsbrass.com



This Space for Architect/Engineer Approval

Job Name \_\_\_\_\_ Date \_\_\_\_\_

Model Specified \_\_\_\_\_ Quantity \_\_\_\_\_

Customer/Wholesaler \_\_\_\_\_

Contractor \_\_\_\_\_

Architect/Engineer \_\_\_\_\_

060X  
8" Swing Nozzle w/  
Stream Regulator Outlet

24" Flexible Stainless  
Steel Hose w/ Spring  
& Spray Valve

Items Not Shown  
For Clarity

3/8" NPT x 8" Riser

Finger Hook

B-0107  
1.42 GPM  
Spray Valve

B-0109-01  
6" Wall  
Bracket

EasyInstall  
Add-On Faucet  
w/ Quarter-Turn  
Cerama Cartridge  
& Lever Handle

2 5/16" [58mm]

8" [203mm]

13 3/8" [339mm]

10 5/8" [270mm]

7 3/4" [197mm]

24 13/16" [630mm]

Mounting  
Surface

Quarter-Turn Cerama Cartridges  
w/ Check Valves & Lever  
Handles w/ Color Coded  
Indexes

7 3/8" [188mm]

1 3/8" [35mm]  
Maximum  
Thickness

18" Flexible Stainless  
Steel Supply Hoses

Compression Fittings  
for 5/8" Copper Tubing  
(Remove Compression  
Nut for 1/2" NPSM Male)

(2) 017506-45  
1/2" NPSM Female  
Swivel Couplings  
(Included)

Rough-In Requirement:  
Ø 1 1/2" [38mm] Mounting Hole

Product Specifications:

Pre-Rinse Unit: EasyInstall Single Hole Deck Mount Mixing Faucet, Quarter-Turn Cerama Cartridges w/ Check Valves, Lever Handles, Add-On Faucet w/ 8" Swing Nozzle, Compact Spring, 24" Flexible Stainless Steel Hose, 1.42 GPM Spray Valve, 6" Wall Bracket, 1/2" NPT Male Inlets & 1/2" NPSM Female Swivel Couplings

Product Compliance:

ASME A112.18.1 / CSA B125.1  
NSF 61 - Section 9  
NSF 372 (Low Lead Content)  
EPA 2005 (PRSV)



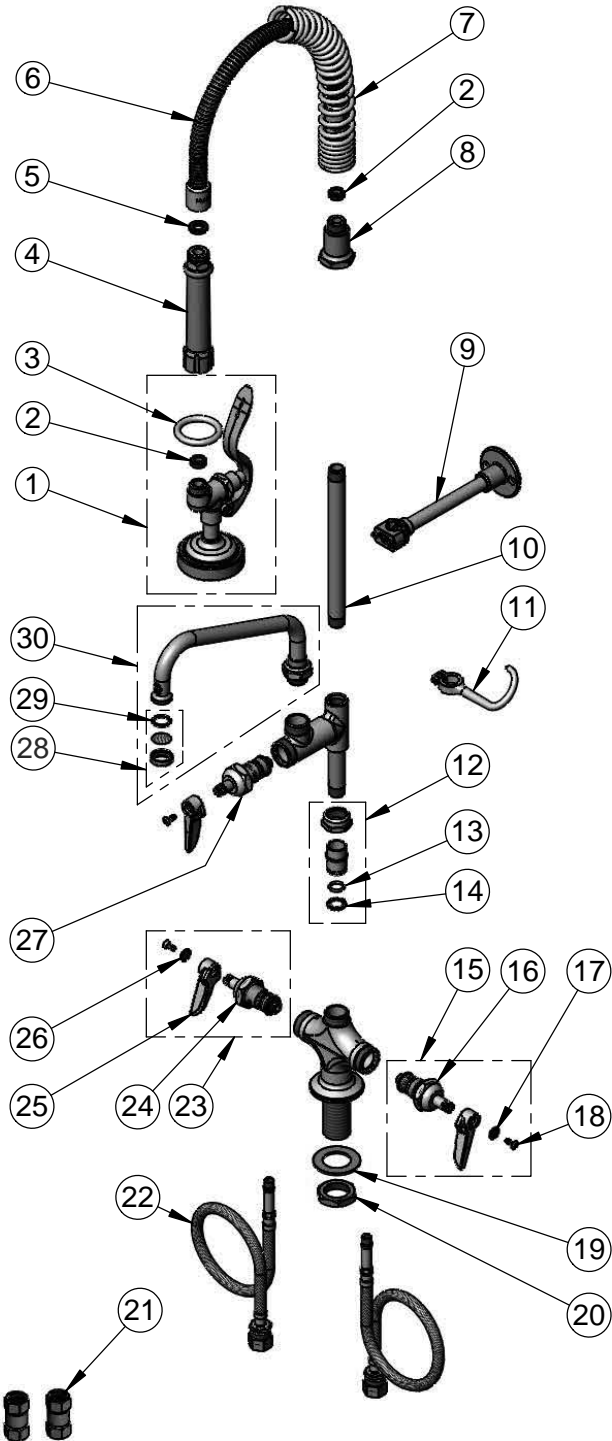
# T&S BRASS AND BRONZE WORKS, INC.

2 Saddleback Cove / P.O. Box 1088  
Travelers Rest, SC 29690

Model No.  
**MPZ-2DLN-08-CRF**

Item No.

Travelers Rest, SC: 800-476-4103 • Simi Valley, CA: 800-423-0150 • Fax: 864-834-3518 • www.tsbrass.com



ITEM NO.	SALES NO.	DESCRIPTION
1	B-0107	1.42 GPM Spray Valve
2	010476-45	#27 Washer
3	000907-45	Spray Valve Hold Down Ring
4	002987-40	Grip Handle
5	001014-45	Washer, B-0100 Hose Barrel
6	B-0024-H2A	24" Flexible Stainless Steel Hose, Less Handle
7	016795-45	Compact Spring
8	000821-40	Spring Body
9	B-0109-01	6" Wall Bracket
10	000364-40	3/8" NPT x 8" Riser
11	004R	Finger Hook
12	EZ-K	EasyInstall Kit: Nut, Bushing, O-Ring & Lock Washer
13	001065-45	O-Ring
14	014200-45	Star Washer, Anti-Rotation
15	012447-25	Quarter-Turn Cerama Cartridge, LTC w/ Check Valve, Handle, Index & Screw
16	012395-25	Quarter-Turn Cerama Cartridge, LTC w/ Check Valve
17	001660-45	Blue Index-CW
18	000922-45	Lever Handle Screw
19	002290-45	Lock Washer
20	000965-45	Lock Nut
21	017506-45	1/2" NPSM Female Swivel Coupling
22	012534-45	18" Flexible Supply Hose (2)
23	012446-25	Quarter-Turn Cerama Cartridge, RTC w/ Check Valve, Handle, Index & Screw
24	012394-25	Quarter-Turn Cerama Cartridge, RTC w/ Check Valve
25	001638-45	Lever Handle
26	001661-45	Red Index-HW
27	011278-25	Quarter-Turn Cerama Cartridge, RTC
28	B-PT	Stream Regulator Outlet
29	001048-45	Nozzle Tip Washer
30	060X	8" Swing Nozzle

**Product Specifications:**

Pre-Rinse Unit: EasyInstall Single Hole Deck Mount Mixing Faucet, Quarter-Turn Cerama Cartridges w/ Check Valves, Lever Handles, Add-On Faucet w/ 8" Swing Nozzle, Compact Spring, 24" Flexible Stainless Steel Hose, 1.42 GPM Spray Valve, 6" Wall Bracket, 1/2" NPT Male Inlets & 1/2" NPSM Female Swivel Couplings

**Product Compliance:**

ASME A112.18.1 / CSA B125.1  
NSF 61 - Section 9  
NSF 372 (Low Lead Content)  
EPA Act 2005 (PRSV)