



# T&S BRASS AND BRONZE WORKS, INC.

2 Saddleback Cove / P.O. Box 1088  
Travelers Rest, SC 29690

Model No.

**MPZ-2DLN-08**

Item No.

Travelers Rest, SC: 800-476-4103 • Simi Valley, CA: 800-423-0150 • Fax: 864-834-3518 • www.tsbrass.com

For Commercial Use Only

This Space for Architect/Engineer Approval

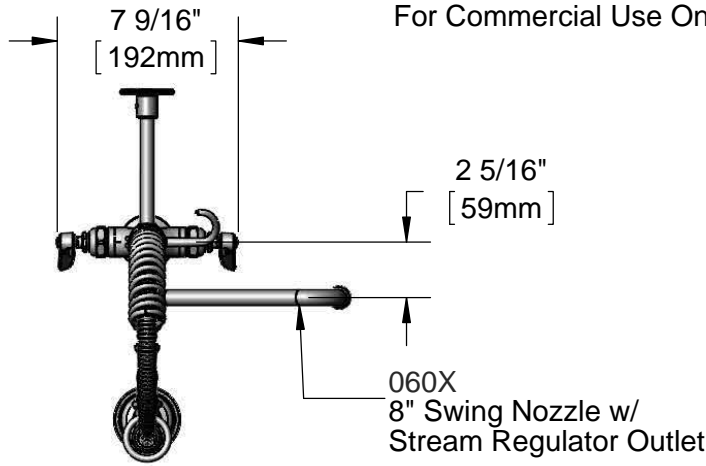
Job Name \_\_\_\_\_ Date \_\_\_\_\_

Model Specified \_\_\_\_\_ Quantity \_\_\_\_\_

Customer/Wholesaler \_\_\_\_\_

Contractor \_\_\_\_\_

Architect/Engineer \_\_\_\_\_



060X  
8" Swing Nozzle w/  
Stream Regulator Outlet  
24" Flexible Stainless  
Steel Hose w/ Spring  
& Spray Valve

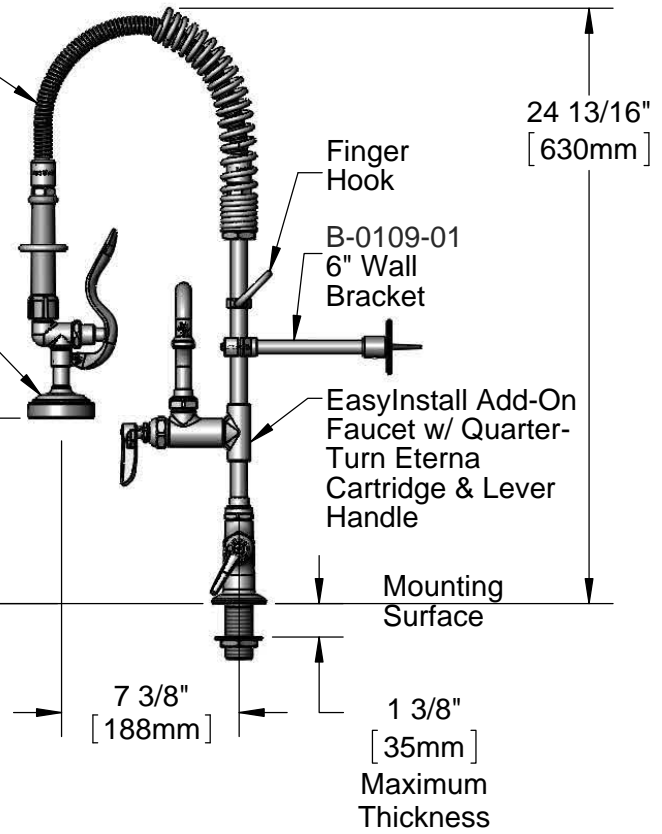
Items Not Shown  
For Clarity  
3/8" NPT x 8" Riser

B-0107  
1.42 GPM  
Spray Valve

Quarter-Turn Eterna Cartridges  
w/ Spring Checks & Lever  
Handles w/ Color Coded  
Indexes

18" Flexible Stainless  
Steel Supply Hoses

Compression Fittings  
for 5/8" Copper Tubing  
(Remove Compression  
Nut for 1/2" NPSM Male)



Finger  
Hook

B-0109-01  
6" Wall  
Bracket

EasyInstall Add-On  
Faucet w/ Quarter-  
Turn Eterna  
Cartridge & Lever  
Handle

Mounting  
Surface

1 3/8"  
[35mm]  
Maximum  
Thickness

2 5/16"  
[58mm]

8"  
[203mm]

13 3/8"  
[340mm]

10 5/8"  
[270mm]

7 3/4"  
[196mm]

7 3/8"  
[188mm]

Ø2 1/4"  
[57mm]  
Deck  
Flange

Rough-In Requirement:  
Ø1 1/2" [38mm] Mounting Hole

Product Specifications:

Pre-Rinse Unit: EasyInstall Single Hole Deck Mount Mixing Faucet, Quarter-Turn Eterna Cartridges w/ Spring Checks, Lever Handles, Add-On Faucet w/ 8" Swing Nozzle, Compact Spring, 24" Flexible Stainless Steel Hose, 1.42 GPM Spray Valve, 6" Wall Bracket & 18" Flexible Supply Hoses

Product Compliance:

ASME A112.18.1 / CSA B125.1  
NSF 61 - Section 9  
NSF 372 (Low Lead Content)  
EPA 2005 (PRSV)



# T&S BRASS AND BRONZE WORKS, INC.

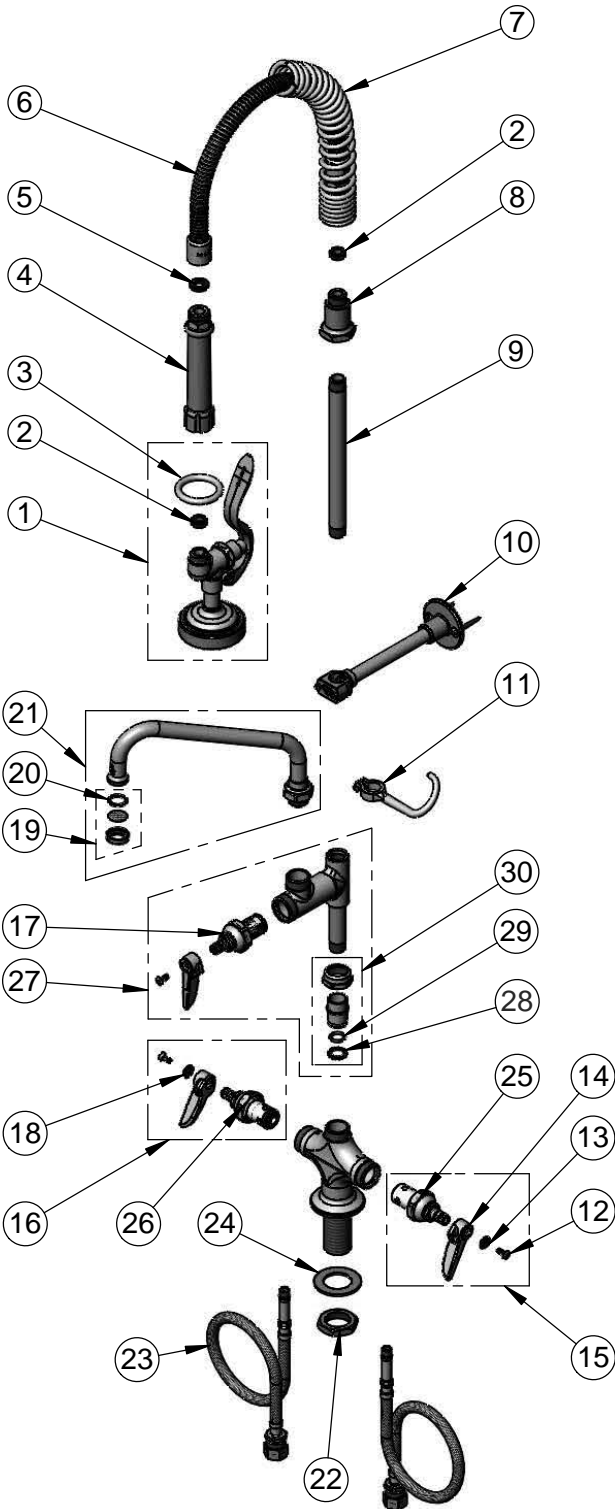
2 Saddleback Cove / P.O. Box 1088  
Travelers Rest, SC 29690

Model No.

**MPZ-2DLN-08**

Item No.

Travelers Rest, SC: 800-476-4103 • Simi Valley, CA: 800-423-0150 • Fax: 864-834-3518 • www.tsbrass.com



ITEM NO.	SALES NO.	DESCRIPTION
1	B-0107	1.42 GPM Spray Valve
2	010476-45	#27 Washer
3	000907-45	Spray Valve Hold Down Ring
4	002987-40	Grip Handle
5	001014-45	Washer, B-0100 Hose Barrel
6	B-0024-H2A	24" Flexible Stainless Steel Hose, Less Handle
7	016795-45	Compact Spring
8	000821-40	Spring Body
9	078X	3/8" NPT x 8" Riser
10	B-0109-01	6" Wall Bracket
11	004R	Finger Hook
12	000922-45	Lever Handle Screw
13	001660-45	Blue Index-CW
14	001638-45	Lever Handle
15	002711-40	Quarter-Turn Eterna Cartridge, LTC w/ Spring Check, Handle, Index & Screw
16	002712-40	Quarter-Turn Eterna Cartridge, RTC w/ Spring Check, Handle, Index & Screw
17	005960-40QT	Quarter-Turn Eterna Cartridge, RTC
18	001661-45	Red Index-HW
19	B-PT	Stream Regulator Outlet
20	001048-45	Nozzle Tip Washer
21	060X	8" Swing Nozzle
22	000965-45	Lock Nut
23	012534-45	18" Flexible Supply Hose (2)
24	002290-45	Lock Washer
25	012442-40	Eterna Cartridge, LTC w/ Spring Check
26	012443-40	Eterna Cartridge, RTC w/ Spring Check
27	B-0155-LNEZ	EasyInstall Add-On Faucet, Less Nozzle
28	014200-45	Star Washer, Anti-Rotation
29	001065-45	O-Ring
30	EZ-K	EasyInstall Kit: Nut, Bushing, O-Ring & Lock Washer

**Product Specifications:**

Pre-Rinse Unit: EasyInstall Single Hole Deck Mount Mixing Faucet, Quarter-Turn Eterna Cartridges w/ Spring Checks, Lever Handles, Add-On Faucet w/ 8" Swing Nozzle, Compact Spring, 24" Flexible Stainless Steel Hose, 1.42 GPM Spray Valve, 6" Wall Bracket & 18" Flexible Supply Hoses

**Product Compliance:**

ASME A112.18.1 / CSA B125.1  
NSF 61 - Section 9  
NSF 372 (Low Lead Content)  
EPA Act 2005 (PRSV)