



# T&S BRASS AND BRONZE WORKS, INC.

2 Saddleback Cove / P.O. Box 1088  
Travelers Rest, SC 29690

Model No.

**MPZ-2DWN-06**

Item No.

Travelers Rest, SC: 800-476-4103 • Simi Valley, CA: 800-423-0150 • Fax: 864-834-3518 • www.tsbrass.com

For Commercial Use Only

This Space for Architect/Engineer Approval

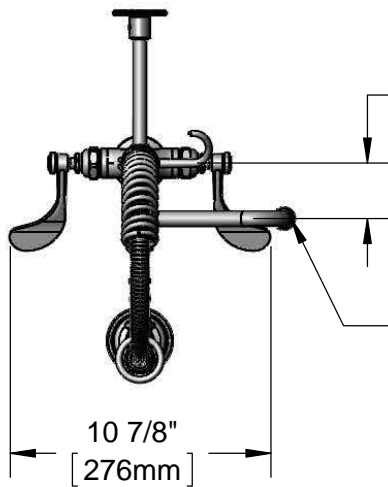
Job Name \_\_\_\_\_ Date \_\_\_\_\_

Model Specified \_\_\_\_\_ Quantity \_\_\_\_\_

Customer/Wholesaler \_\_\_\_\_

Contractor \_\_\_\_\_

Architect/Engineer \_\_\_\_\_



2 5/16"  
[59mm]

10 7/8"  
[276mm]

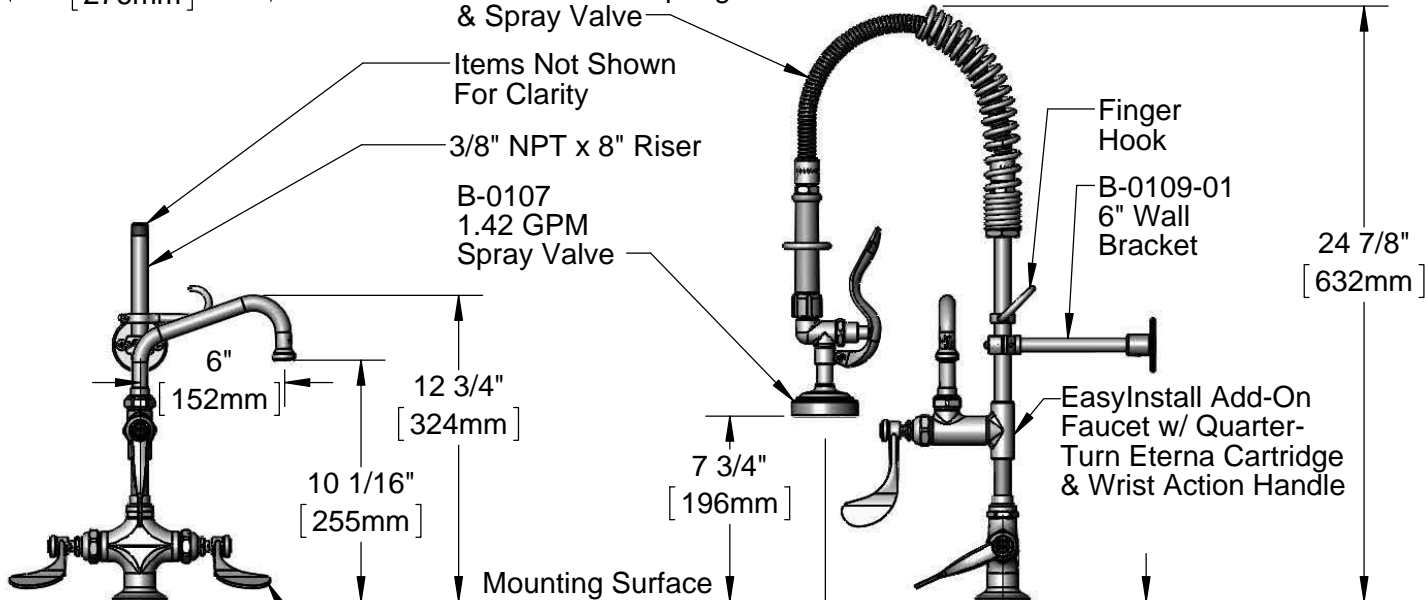
059X  
6" Swing Nozzle w/  
Stream Regulator Outlet

24" Flexible Stainless  
Steel Hose w/ Spring  
& Spray Valve

Items Not Shown  
For Clarity

3/8" NPT x 8" Riser

B-0107  
1.42 GPM  
Spray Valve



6"  
[152mm]

12 3/4"  
[324mm]

10 1/16"  
[255mm]

Mounting Surface

7 3/4"  
[196mm]

Finger  
Hook

B-0109-01  
6" Wall  
Bracket

24 7/8"  
[632mm]

EasyInstall Add-On  
Faucet w/ Quarter-  
Turn Eterna Cartridge  
& Wrist Action Handle

Ø 2 1/4"  
[57mm]

Quarter-Turn Eterna Cartridges  
w/ Spring Checks & Wrist Action  
Handles w/ Color Coded Indexes

18" Flexible Stainless  
Steel Supply Hoses

Compression Fittings  
for 5/8" Copper Tubing  
(Remove Compression  
Nut for 1/2" NPSM Male)

7 3/8"  
[188mm]

1 3/8"  
[35mm]  
Maximum  
Thickness

Rough-In Requirement:  
Ø 1 1/2" [38mm] Mounting Hole

Product Specifications:

Pre-Rinse Unit: EasyInstall Single Hole Deck Mount Mixing Faucet, Quarter-Turn Eterna Cartridges w/ Spring Checks, 4" Wrist Action Handles, Add-On Faucet w/ 6" Swing Nozzle, Compact Spring, 24" Flexible Stainless Steel Hose, 1.42 GPM Spray Valve, 6" Wall Bracket & 18" Flexible Supply Hoses

Product Compliance:

ASME A112.18.1 / CSA B125.1  
NSF 61 - Section 9  
NSF 372 (Low Lead Content)  
EPA 2005 (PRSV)



# T&S BRASS AND BRONZE WORKS, INC.

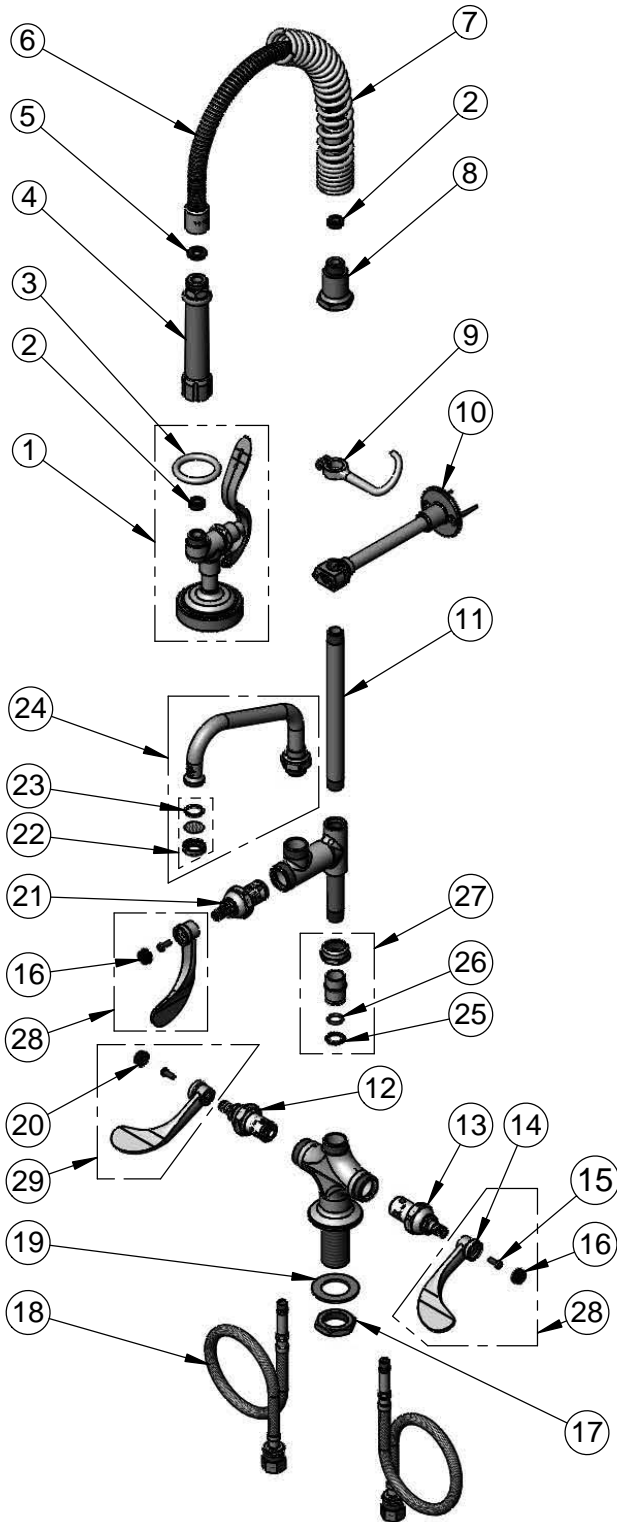
2 Saddleback Cove / P.O. Box 1088  
Travelers Rest, SC 29690

Model No.

**MPZ-2DWN-06**

Item No.

Travelers Rest, SC: 800-476-4103 • Simi Valley, CA: 800-423-0150 • Fax: 864-834-3518 • www.tsbrass.com



ITEM NO.	SALES NO.	DESCRIPTION
1	B-0107	1.42 GPM Spray Valve
2	010476-45	#27 Washer
3	000907-45	Spray Valve Hold Down Ring
4	002987-40	Grip Handle
5	001014-45	Washer, B-0100 Hose Barrel
6	B-0024-H2A	24" Stainless Steel Flex Hose, Less Handle
7	016795-45	Compact Spring
8	000821-40	Spring Body
9	004R	Finger Hook
10	B-0109-01	6" Wall Bracket
11	078X	3/8" NPT x 8" Riser
12	012443-40	Quarter-Turn Eterna Cartridge, RTC w/ Spring Check
13	012442-40	Quarter-Turn Eterna Cartridge, LTC w/ Spring Check
14	B-WH4	4" Wrist Action Handle
15	000925-45	Lab Handle Screw
16	001686-45	Blue Index - CW
17	000965-45	Lock Nut
18	012534-45	18" Flexible Supply Hose (2)
19	002290-45	Lock Washer
20	001194-45	Red Index - HW
21	005960-40QT	Quarter-Turn Eterna Cartridge, RTC
22	B-PT	Stream Regulator Outlet
23	001048-45	Nozzle Tip Washer
24	059X	6" Swing Nozzle
25	014200-45	Star Washer, Anti-Rotation
26	001065-45	O-Ring
27	EZ-K	EasyInstall Kit: Nut, Bushing, O-Ring & Lock Washer
28	B-WH4C	4" Wrist Action Handle, Screw & Cold Index
29	B-WH4H	4" Wrist Action Handle, Screw & Hot Index

**Product Specifications:**

Pre-Rinse Unit: EasyInstall Single Hole Deck Mount Mixing Faucet, Quarter-Turn Eterna Cartridges w/ Spring Checks, 4" Wrist Action Handles, Add-On Faucet w/ 6" Swing Nozzle, Compact Spring, 24" Flexible Stainless Steel Hose, 1.42 GPM Spray Valve, 6" Wall Bracket & 18" Flexible Supply Hoses

**Product Compliance:**

ASME A112.18.1 / CSA B125.1  
NSF 61 - Section 9  
NSF 372 (Low Lead Content)  
EPA Act 2005 (PRSV)