

T&S BRASS AND BRONZE WORKS, INC.

2 Saddleback Cove / P.O. Box 1088
Travelers Rest, SC 29690

Model No.

MPZ-2DWV-08-CR

Item No.

Travelers Rest, SC: 800-476-4103 • Simi Valley, CA: 800-423-0150 • Fax: 864-834-3518 • www.tsbrass.com

EPA Act 2005 Compliant
For Commercial Use Only

This Space for Architect/Engineer Approval

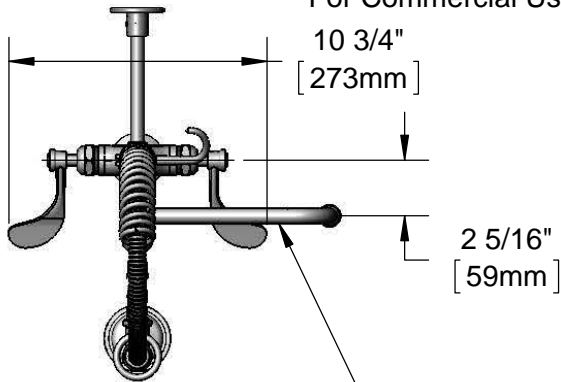
Job Name _____ Date _____

Model Specified _____ Quantity _____

Customer/Wholesaler _____

Contractor _____

Architect/Engineer _____



10 3/4"
[273mm]

2 5/16"
[59mm]

060X
8" Swing Nozzle w/
Stream Regulator Outlet

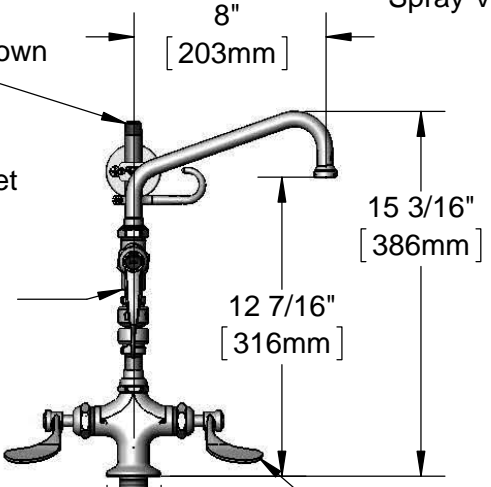


24" Flexible Stainless Steel
Hose w/ Spring & Spray Valve

B-0107
1.42 GPM
Spray Valve

Items Not Shown
For Clarity

Add-On Faucet
w/Cerama
Cartridge w/
Wrist Action
Handle



8"
[203mm]

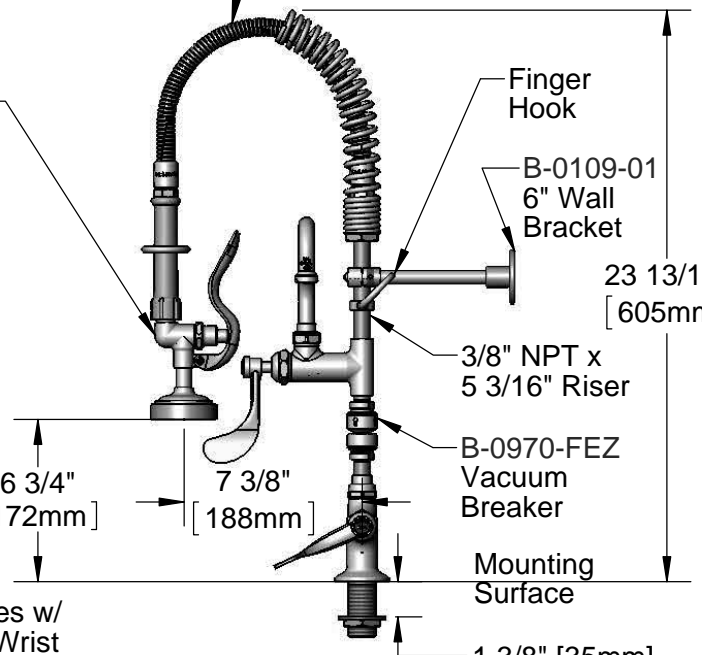
15 3/16"
[386mm]

12 7/16"
[316mm]

Ø 2 1/4"
[57mm]

Cerama Cartridges w/
Check Valves & Wrist
Action Handles w/
Color-Coded Indexes

18" Long Flexible
Stainless Steel
Supply Hoses



6 3/4"
[172mm]

7 3/8"
[188mm]

Finger
Hook

B-0109-01
6" Wall
Bracket

23 13/16"
[605mm]

3/8" NPT x
5 3/16" Riser

B-0970-FEZ
Vacuum
Breaker

Mounting
Surface

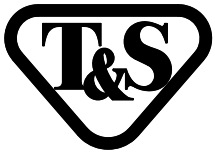
1 3/8" [35mm]
Maximum
Thickness

Compression Fittings
for 5/8" Copper Tubing
(Remove Compression
Nut for 1/2" NPSM Male)

Rough-In Requirement:
Ø 1 1/2" [Ø 38mm] Mounting Hole

Product Specifications:
Easy Install Pre-Rinse Unit:
Single Hole Deck Mount Mixing Faucet, Cerama Cartridges w/ Check
Valves, Wrist Action Handles, Add-On Faucet w/ 8" Swing Nozzle,
Vacuum Breaker, Compact Spring, 24" Flexible Stainless Steel Hose,
1.42 GPM Spray Valve, 6" Wall Bracket & Flexible Supply Hoses

Drawn	Checked	Approved
JRM	KJG	JHB
Scale:	Date:	
1:8	11/25/131	



T&S BRASS AND BRONZE WORKS, INC.

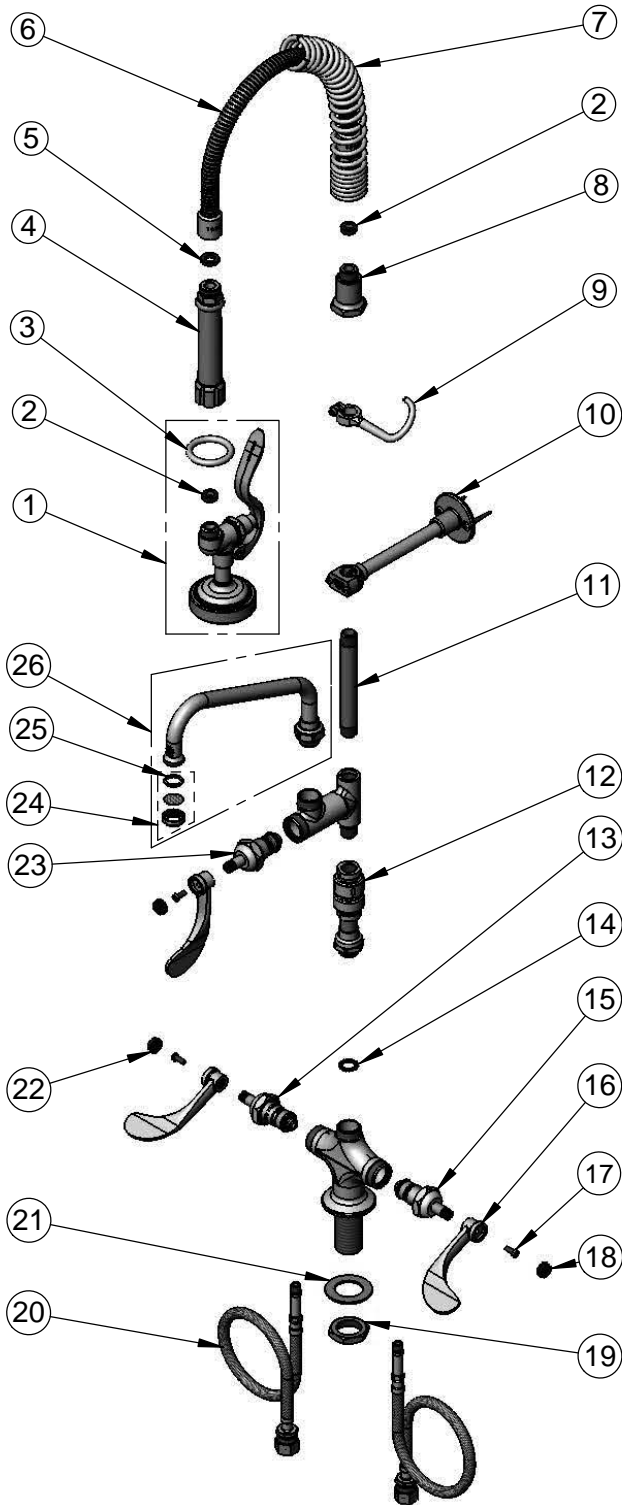
2 Saddleback Cove / P.O. Box 1088
Travelers Rest, SC 29690

Model No.

MPZ-2DWV-08-CR

Item No.

Travelers Rest, SC: 800-476-4103 • Simi Valley, CA: 800-423-0150 • Fax: 864-834-3518 • www.tsbrass.com



ITEM NO.	SALES NO.	DESCRIPTION
1	B-0107	1.42 GPM Spray Valve
2	010476-45	#27 Washer
3	000907-45	Spray Valve Hold Down Ring
4	002987-40	Grip Handle
5	001014-45	Washer, B-0100 Hose Barrel
6	B-0024-H2A	24" Flexible Stainless Steel Hose, Less Handle
7	016795-45	Compact Spring
8	000821-40	Spring Body
9	004R	Finger Hook
10	B-0109-01	6" Wall Bracket
11	001617-40	3/8" NPT x 5-3/16" Riser
12	B-0970-FEZ	EasyInstall Vacuum Breaker
13	012394-25	Cerama Cartridge, RTC w/ Check Valve
14	014200-45	Star Washer, Anti-Rotation
15	012395-25	Cerama Cartridge, LTC w/ Check Valve
16	B-WH4	4" Wrist Action Handle
17	000925-45	Lab Handle Screw
18	001686-45	Blue Index - CW
19	000965-45	Lock Nut
20	012534-45	Flexible Connector Hose
21	002290-45	Lock Washer
22	001194-45	Red Index - HW
23	011278-25	Cerama Cartridge, RTC
24	B-PT	Stream Regulator Outlet
25	001048-45	Nozzle Tip Washer
26	060X	8" Swing Nozzle

Product Specifications:

Easy Install Pre-Rinse Unit:
Single Hole Deck Mount Mixing Faucet, Cerama Cartridges w/ Check Valves, Wrist Action Handles, Add-On Faucet w/ 8" Swing Nozzle, Vacuum Breaker, Compact Spring, 24" Flexible Stainless Steel Hose, 1.42 GPM Spray Valve, 6" Wall Bracket & Flexible Supply Hoses

Drawn

JRM

Checked

KJG

Approved

JHB

Scale:

NTS

Date:

11/25/131