



T&S BRASS AND BRONZE WORKS, INC.
 2 Saddleback Cove / P.O. Box 1088
 Travelers Rest, SC 29690

Model No.
MPZ-8DLN-06

Item No.

Travelers Rest, SC: 800-476-4103 • Simi Valley, CA: 800-423-0150 • Fax: 864-834-3518 • www.tsbrass.com

This Space for Architect/Engineer Approval

Job Name _____ Date _____

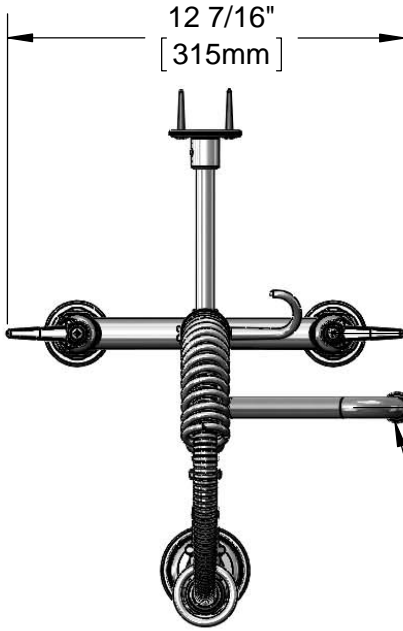
Model Specified _____ Quantity _____

Customer/Wholesaler _____

Contractor _____

Architect/Engineer _____

EPA Act 2005 Compliant
 For Commercial Use Only

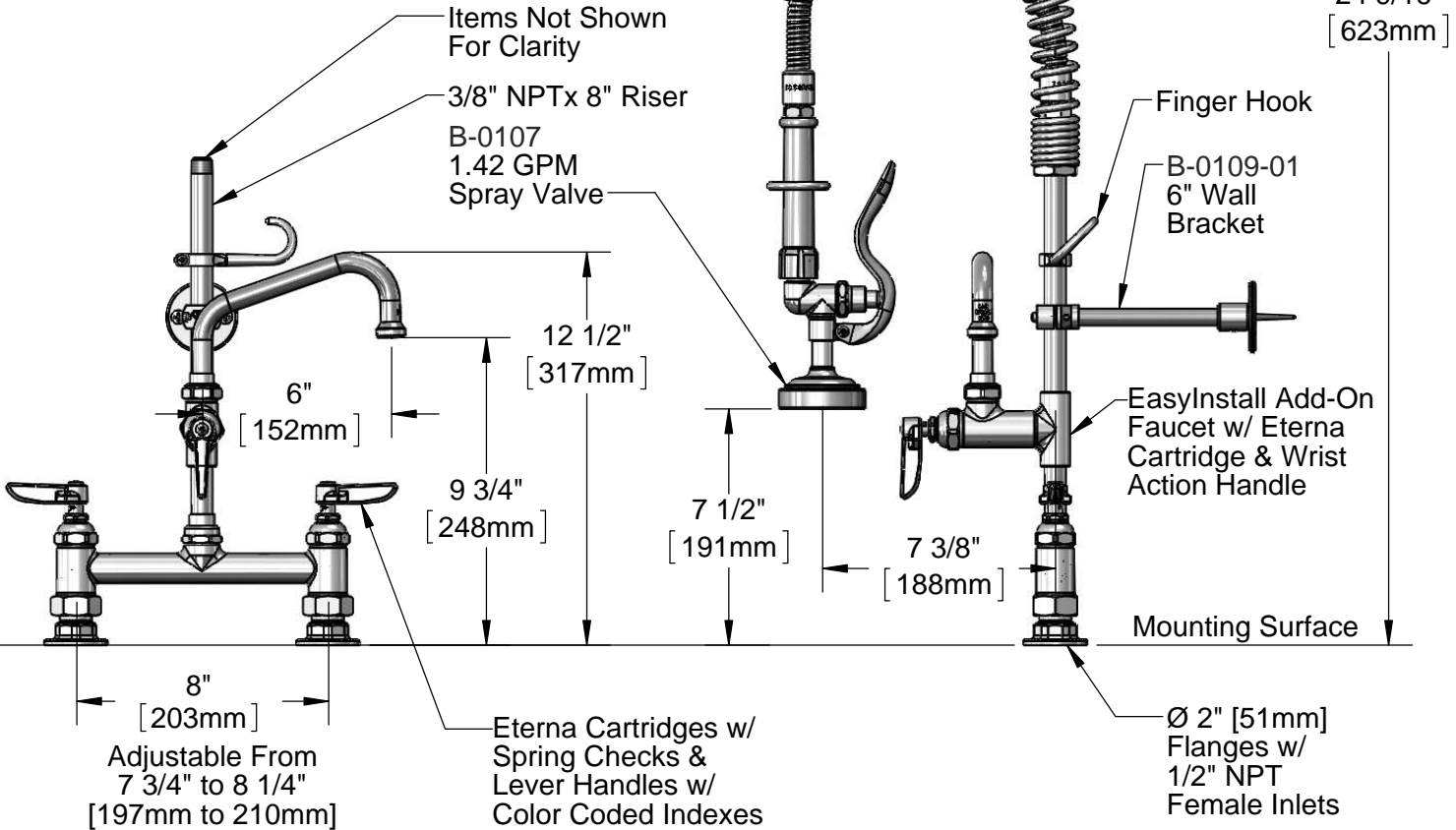


059X
 6" Swing Nozzle w/
 Stream Regulator Outlet

24" Flexible Stainless
 Steel Hose w/ Spring
 & Spray Valve

Items Not Shown
 For Clarity

3/8" NPT x 8" Riser
 B-0107
 1.42 GPM
 Spray Valve



Product Specifications:

Easy Install Pre-Rinse Unit:
 8" Deck Mount Mixing Faucet, Eterna Cartridges w/ Spring Checks,
 Lever Handles, Add-On Faucet w/ 6" Swing Nozzle, Compact Spring,
 24" Flexible Stainless Steel Hose, 1.42 GPM Spray Valve, 6" Wall
 Bracket & 1/2" NPT Female Inlets

Drawn KJG	Checked DMH	Approved JHB
Scale: 1:6	Date: 09/19/13	



T&S BRASS AND BRONZE WORKS, INC.

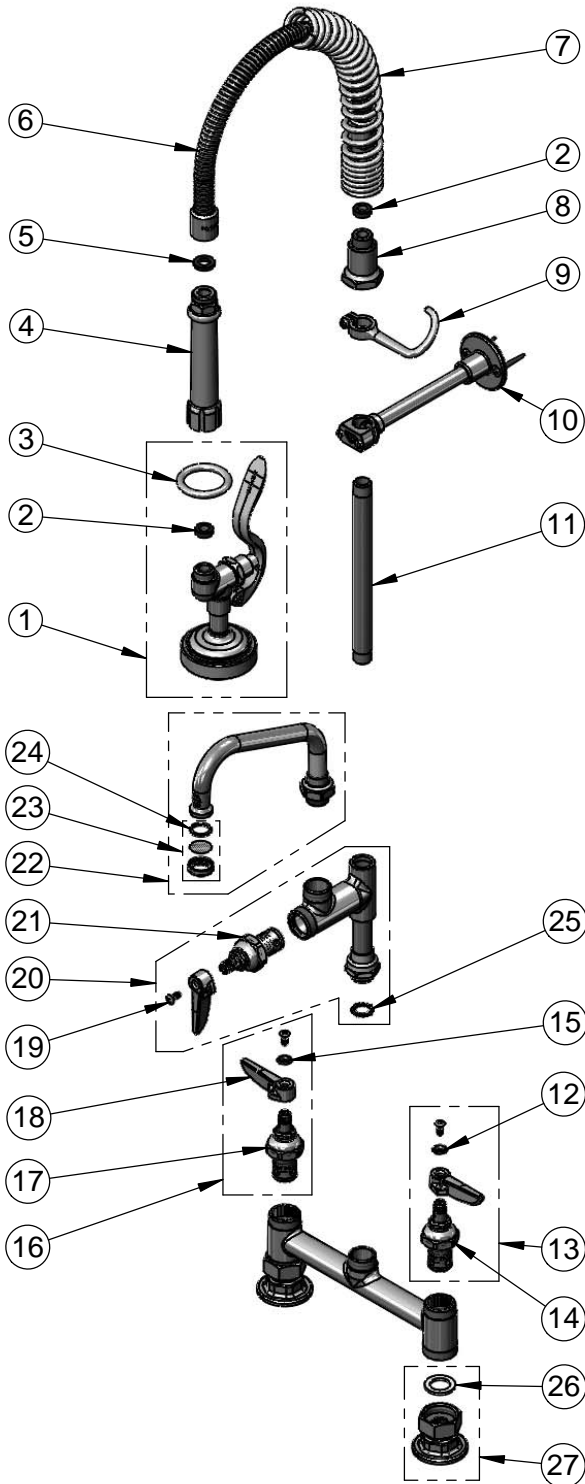
2 Saddleback Cove / P.O. Box 1088
Travelers Rest, SC 29690

Model No.

MPZ-8DLN-06

Item No.

Travelers Rest, SC: 800-476-4103 • Simi Valley, CA: 800-423-0150 • Fax: 864-834-3518 • www.tsbrass.com



ITEM NO.	SALES NO.	DESCRIPTION
1	B-0107	1.42 GPM Spray Valve
2	010476-45	#27 Washer
3	000907-45	Spray Valve Hold Down Ring
4	002987-40	Grip Handle
5	001014-45	Washer, B-0100 Hose Barrel
6	B-0024-H2A	24" Stainless Steel Flex Hose - Less Handle
7	016795-45	Compact Spring
8	000821-40	Spring Body
9	004R	Finger Hook
10	B-0109-01	6" Wall Bracket
11	078X	3/8" NPT x 8" Riser
12	001660-45	Blue Index-CW
13	002711-40	Eterna Cartridge, LTC w/ Spring Check, Handle, Index & Screw
14	012442-40	Eterna Cartridge, LTC w/ Spring Check
15	001661-45	Red Index-HW
16	002712-40	Eterna Cartridge, RTC w/ Spring Check, Handle, Index & Screw
17	012443-40	Eterna Cartridge, RTC w/ Spring Check
18	001638-45	Lever Handle
19	000922-45	Lever Handle Screw
20	B-0155-LNEZ	Add-On 1/4 Turn Faucet
21	005960-40QT	1/4 Turn Eterna Cartridge, RTC
22	059X	6" Swing Nozzle
23	B-PT	Stream Regulator Outlet
24	001048-45	Nozzle Tip Washer
25	014200-45	SWasher, Anti-Rotation
26	001019-45	Coupling Nut Washer
27	00AA	1/2" NPT Female Eccentric Flange

Product Specifications:

Easy Install Pre-Rinse Unit:
8" Deck Mount Mixing Faucet, Eterna Cartridges w/ Spring Checks,
Lever Handles, Add-On Faucet w/ 6" Swing Nozzle, Compact Spring,
24" Flexible Stainless Steel Hose, 1.42 GPM Spray Valve, 6" Wall
Bracket & 1/2" NPT Female Inlets

Drawn

KJG

Checked

DMH

Approved

JHB

Scale:

NTS

Date:

09/19/13