



T&S BRASS AND BRONZE WORKS, INC.
 2 Saddleback Cove / P.O. Box 1088
 Travelers Rest, SC 29690

Model No.
MPZ-8DWN-08-CR

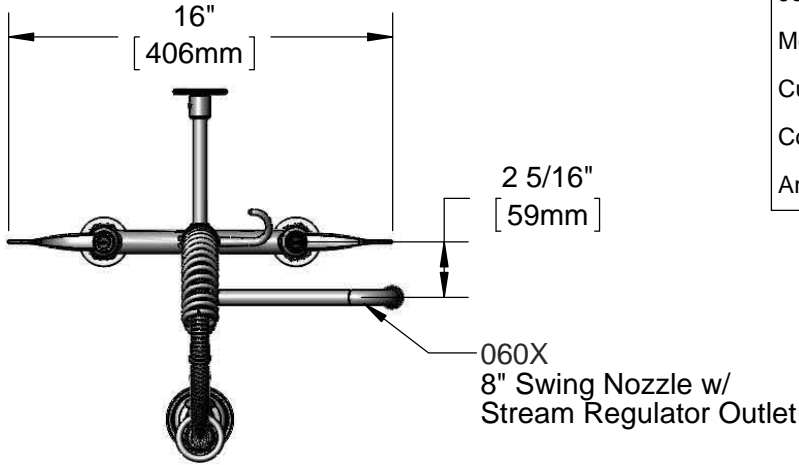
Item No.

Travelers Rest, SC: 800-476-4103 • Simi Valley, CA: 800-423-0150 • Fax: 864-834-3518 • www.tsbrass.com

For Commercial Use Only

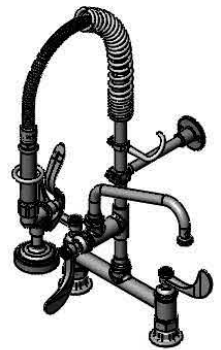
This Space for Architect/Engineer Approval

Job Name _____ Date _____
 Model Specified _____ Quantity _____
 Customer/Wholesaler _____
 Contractor _____
 Architect/Engineer _____



060X
 8" Swing Nozzle w/
 Stream Regulator Outlet

24" Flexible Stainless
 Steel Hose w/ Spring
 & Spray Valve



Items Not Shown
 for Clarity

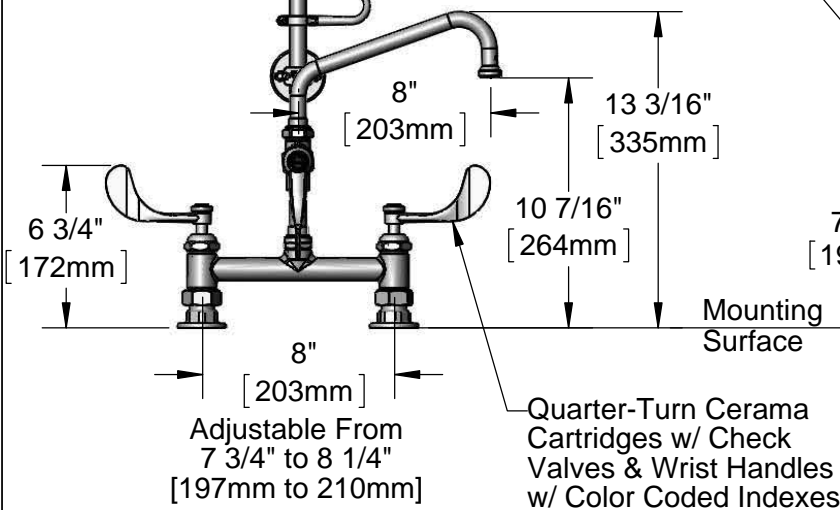
3/8" NPTx 8" Riser

Finger Hook

B-0107
 1.42 GPM
 Spray Valve

24 5/8"
 [625mm]

B-0109-01
 6" Wall
 Bracket



Adjustable From
 7 3/4" to 8 1/4"
 [197mm to 210mm]

Quarter-Turn Cerama
 Cartridges w/ Check
 Valves & Wrist Handles
 w/ Color Coded Indexes

Mounting
 Surface

7 1/2"
 [191mm]

EasyInstall Add-On
 Faucet w/ Quarter-
 Turn Cerama
 Cartridge & Wrist
 Action Handle

7 3/8"
 [188mm]

2" [51mm]
 Flanges
 w/ 1/2" NPT
 Female Inlets

Product Specifications:

Pre-Rinse Unit: EasyInstall 8" Deck Mount Mixing Faucet, Quarter-Turn Cerama Cartridges w/ Check Valves, 4" Wrist Action Handles, Add-On Faucet w/ 8" Swing Nozzle, Compact Spring, 24" Flexible Stainless Steel Hose, 1.42 GPM Spray Valve, 6" Wall Bracket & 1/2" NPT Female Inlets

Product Compliance:

ASME A112.18.1 / CSA B125.1
 NSF 61 - Section 9
 NSF 372 (Low Lead Content)
 EPA Act 2005 (PRSV)



T&S BRASS AND BRONZE WORKS, INC.

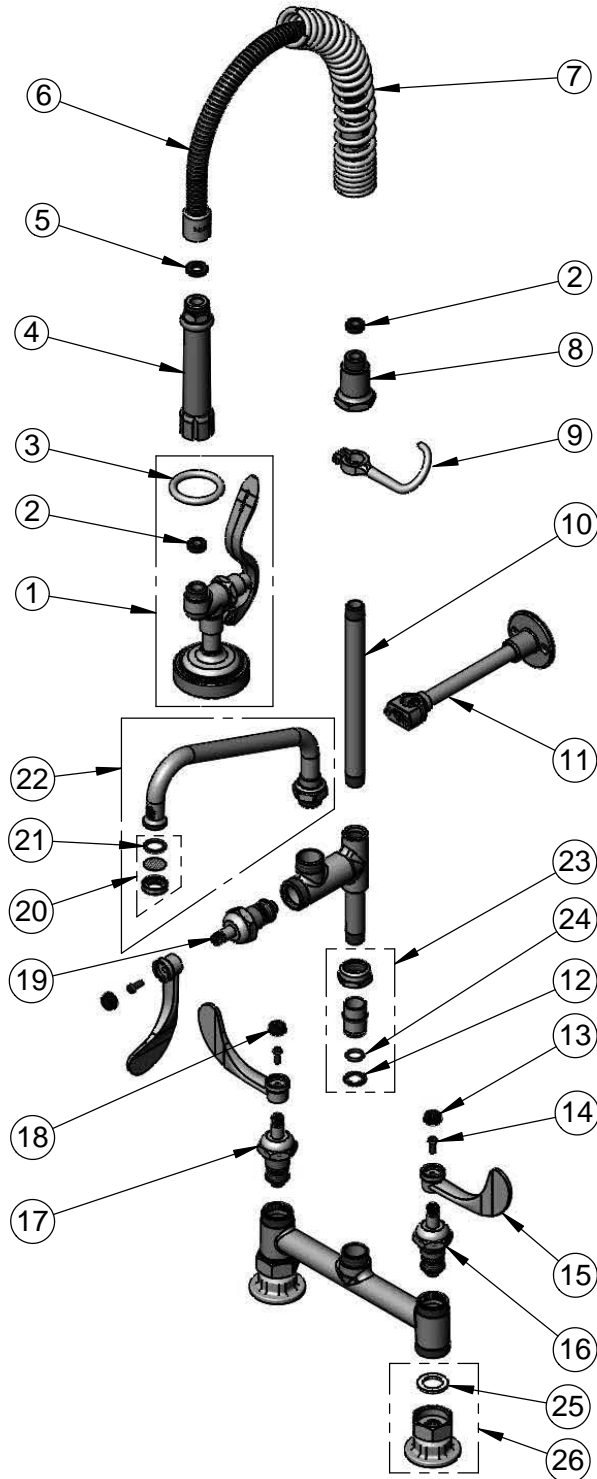
2 Saddleback Cove / P.O. Box 1088
Travelers Rest, SC 29690

Model No.

MPZ-8DWN-08-CR

Item No.

Travelers Rest, SC: 800-476-4103 • Simi Valley, CA: 800-423-0150 • Fax: 864-834-3518 • www.tsbrass.com



ITEM NO.	SALES NO.	DESCRIPTION
1	B-0107	1.42 GPM Spray Valve
2	010476-45	#27 Washer
3	000907-45	Spray Valve Hold Down Ring
4	002987-40	Grip Handle
5	001014-45	Washer, B-0100 Hose Barrel
6	B-0024-H2A	24" Flexible Stainless Steel Hose, Less handle
7	016795-45	Compact Spring
8	000821-40	Spring Body
9	004R	Finger Hook
10	078X	3/8" NPT x 8" Riser
11	B-0109-01	6" Wall Bracket
12	014200-45	Star Washer, Anti-Rotation
13	001686-45	Blue Index - CW
14	000925-45	Lab Handle Screw
15	B-WH4	4" Wrist Action Handle
16	012395-25	Quarter-Turn Cerama Cartridge, LTC w/ Check Valve
17	012394-25	Quarter-Turn Cerama Cartridge, RTC w/ Check Valve
18	001194-45	Red Index - HW
19	011278-25	Quarter-Turn Cerama Cartridge, RTC
20	B-PT	Stream Regulator Outlet
21	001048-45	Nozzle Tip Washer
22	060X	8" Swing Nozzle
23	EZ-K	EasyInstall Kit: Nut, Bushing, O-Ring & Lock Washer
24	001065-45	O-Ring
25	001019-45	Coupling Nut Washer
26	00AA	1/2" NPT Female Eccentric Flange

Product Specifications:

Pre-Rinse Unit: EasyInstall 8" Deck Mount Mixing Faucet, Quarter-Turn Cerama Cartridges w/ Check Valves, 4" Wrist Action Handles, Add-On Faucet w/ 8" Swing Nozzle, Compact Spring, 24" Flexible Stainless Steel Hose, 1.42 GPM Spray Valve, 6" Wall Bracket & 1/2" NPT Female Inlets

Product Compliance:

ASME A112.18.1 / CSA B125.1
NSF 61 - Section 9
NSF 372 (Low Lead Content)
EPA Act 2005 (PRSV)